

Name: \_\_\_\_\_  
 Date: \_\_\_\_\_  
 Track: \_\_\_\_\_

**Diff. Oil**  
 Rear: \_\_\_\_\_

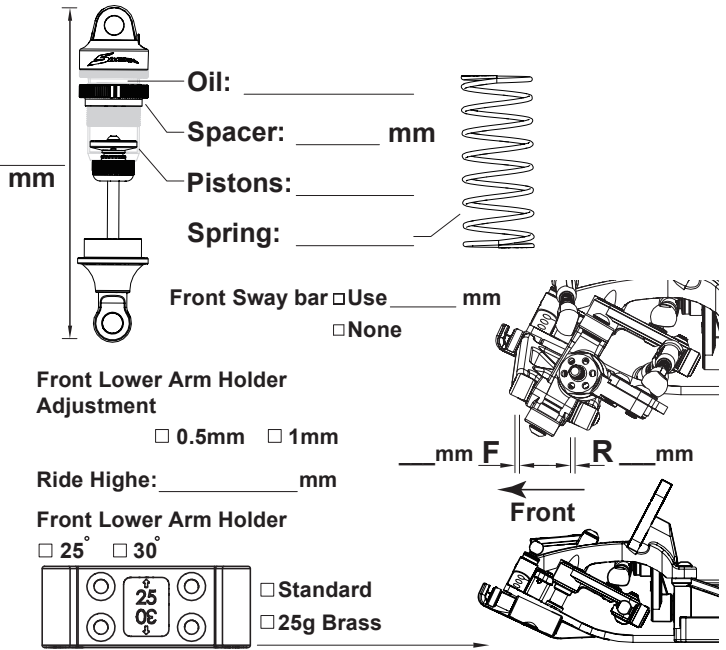
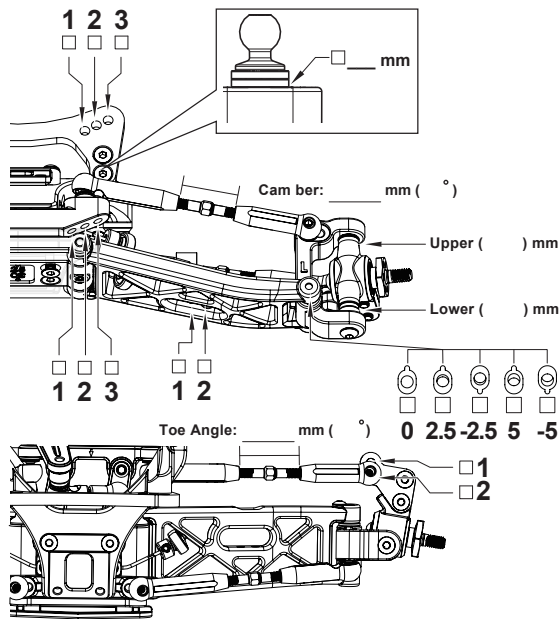
**Diff. Type**  
 Gear Diff  
 Ball Diff

**Track Conditions**  
 Size:  Open  Med.  Tight  
 Traction:  High  Med.  Low  
 Surface:  Smooth  Med.  Bumpy

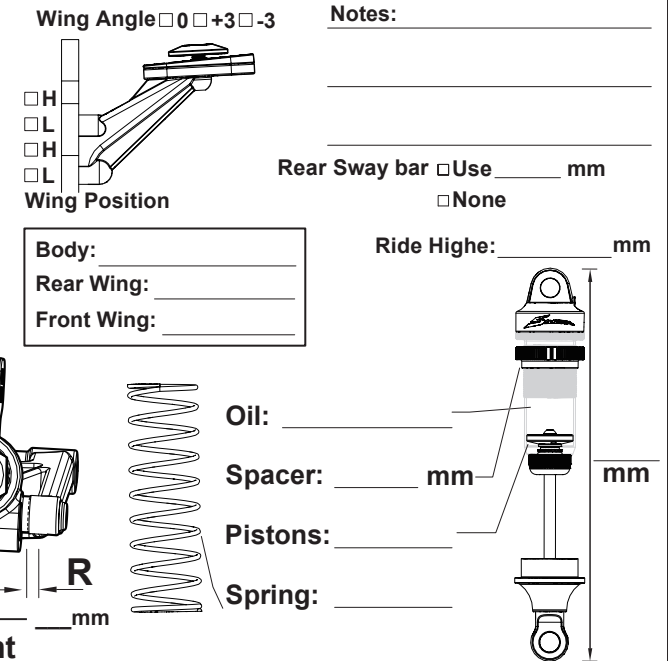
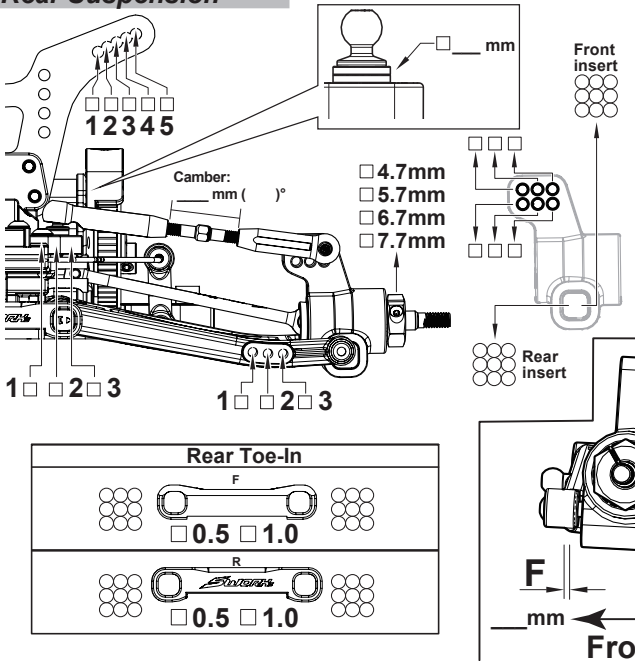
**Tire**  
 Front Rear  
 Type: \_\_\_\_\_ Type: \_\_\_\_\_  
 Foam: \_\_\_\_\_ Foam: \_\_\_\_\_

**Electric System**  
 ESC Type: \_\_\_\_\_  
 Motor Type: \_\_\_\_\_  
 Motor Gear/Spur Gear: \_\_\_\_\_  
 Battery Type: \_\_\_\_\_

### Front Suspension



### Rear Suspension



### Option Parts List

<p><b>Front lower arm</b>  <input type="checkbox"/> Carbon composite Hard Material <input type="checkbox"/> Standard Material</p>	<p><b>Rear lower arm</b>  <input type="checkbox"/> Carbon composite Hard Material <input type="checkbox"/> Standard Material</p>	<p><b>Side guard</b>  <input type="checkbox"/> Carbon composite Hard Material <input type="checkbox"/> Standard Material</p>
---	--	--