

S35-3E

1/8 Off Road Brushless Power Pro Buggy

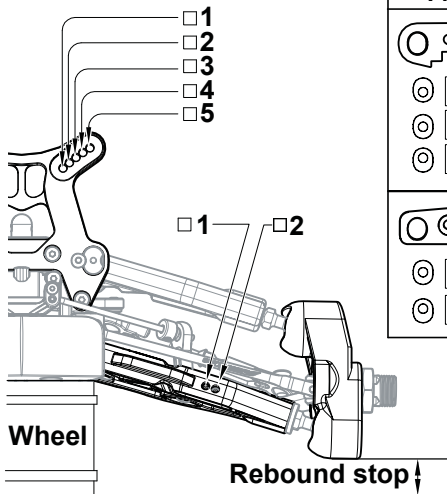
Name: _____
 Date: _____
 Track: _____

Diff. Oil
 Front: # _____
 Center: # _____
 Rear: # _____

Tire

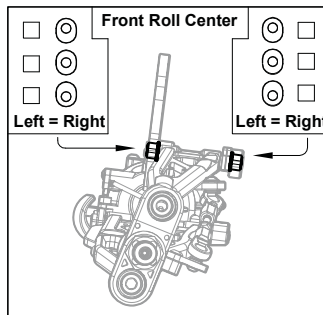
Front: _____ Rear: _____
 Type: _____ Type: _____
 Foam: _____ Foam: _____

Front Suspension

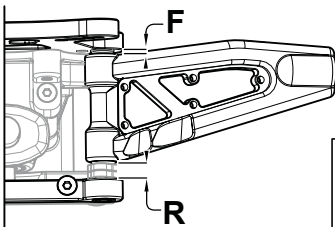


Front Toe-In

<input type="checkbox"/> -1	<input type="checkbox"/> 0	<input type="checkbox"/> +1
<input type="checkbox"/> 0	<input type="checkbox"/> +1	



Track width _____ mm
 Camber angle Upper _____ mm
 Lower _____ mm
 Toe angle _____
 Rebound stop _____ mm
 Sway bar Use _____ mm
 None



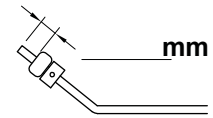
F: _____ mm
 R: _____ mm

Front Shocks

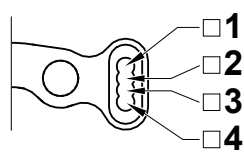
Oil: _____
 Pistons: _____
 Spring: _____
 Spacer: _____ mm

Camber Angle

L: _____ °
 R: _____ °
 Notes: _____

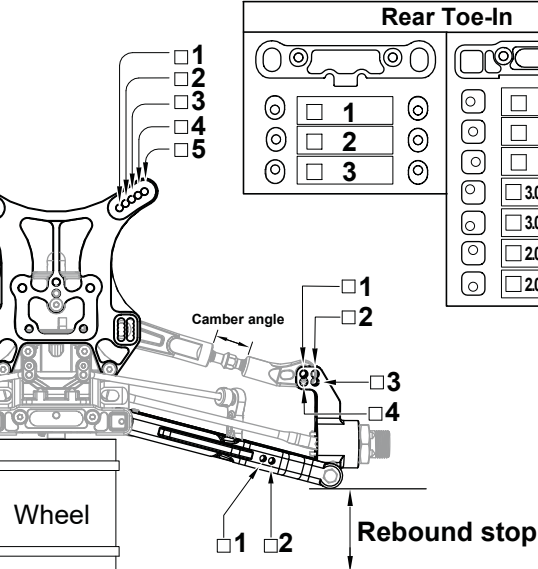


Steering Ackerman



Body: _____
 Wing: _____

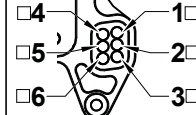
Rear Suspension



Rear Toe-In

<input type="checkbox"/> 1	<input type="checkbox"/> 3.0
<input type="checkbox"/> 2	<input type="checkbox"/> 2.0
<input type="checkbox"/> 3	<input type="checkbox"/> 1.0
	<input type="checkbox"/> 30+1KUp
	<input type="checkbox"/> 30-1KUp
	<input type="checkbox"/> 20+1KUp
	<input type="checkbox"/> 20-1KUp

Upper arm position

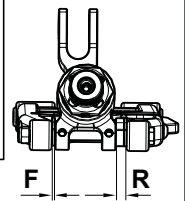
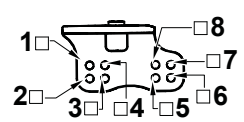


Camber angle _____ mm
 Rebound stop _____ mm

Rear Shocks

Oil: _____
 Pistons: _____
 Spring: _____
 Spacer: _____ mm

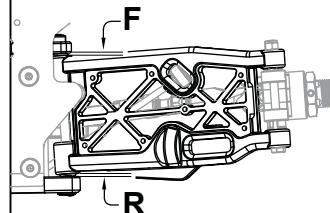
Wing Position



Front

Wheelbase F _____ mm
 adjustment R _____ mm

Sway bar Use _____ mm
 None



Notes: _____

