



# S350 EVO



**SWORKz S350 BK1 EVO INSTRUCTION MANUAL**

# S350EVO

1/8 OFF ROAD Nitro Racing Buggy

## INSTRUCTION

The Evolution of the S350 project is the result of SWORKz passion for improvement. Combining every detail into a more balanced and improved buggy called the "S350 BK1". The SWORKz S350 BK1 Evolution Pro Kit comes standard with many SWORKz Factory Team Option Parts which improve strength, performance, and value.

SWORKz utilizes only the highest quality materials and industry leading manufacturing processes resulting in a faster, stronger, and more reliable vehicle. The S350 BK1 Evolution Pro Kit from SWORKz has been designed to out-perform the competition on any Off-Road terrain while offering amazing performance to drivers of all levels.

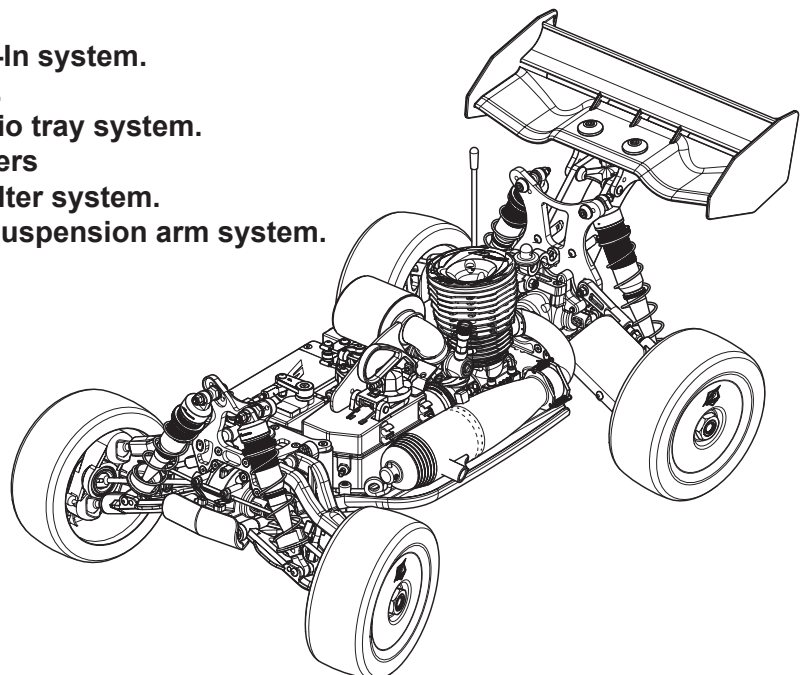
Congratulations on your purchase of the new SWORKz S350 BK1 EVO 1/8 scale off-road racing buggy pro kit.

Please read this manual thoroughly, before you attempt to start or drive your S350 BK1 EVO. This manual contains step-by-step instructions to help you complete, prepare for startup, and fine-tune your Buggy. Updates, setups, and product news will be posted on our website ([www.sworkz.com](http://www.sworkz.com)), so check often.

As always, if you should ever have any questions or need help with your S350 BK1 EVO, please feel free to contact our official SWORKz dealers and distributors, as they will be glad to help you. You may also contact us at any time for the most up to date information and support.

### S350 BK1 EVO Kit Features :

1. Comes standard with F.C.S.S. A race design lightened chassis with T6 7075 aluminum in B.H.C (black hard coating).
2. Standard with front and rear 2.0 Pro Shock Towers made of lightened 7075 aluminum.
3. New Hex-Cell Shock Bladder design with Special Impact Shock Piston system. Pro Shock 2.0 system with 4mm shock shafts.
4. High Performance Crown Gears and Pinion Gears.
5. Full CVD Drive Shafts.
6. New Rear Lower Plastic Insert Toe-In system.
7. Double Protection Bumper Design.
8. PSP (Power Steering Package) radio tray system.
9. Professional 2.0 Metal Brake Calipers
10. New fuel tank with Floating Fuel Filter system.
11. Adjustable front upper and lower suspension arm system.
12. Falcon Clear Body Shell included.



Specification	
Length:	530mm
Width:	308mm
Height:	220mm
Ground Clearance:	70mm
Wheelbase:	320-325mm
Track:	F:306mm / R:306mm
Gear Ratio:	C:46/13T, F/R 43/13T
Weight:	3380g



## WARRANTY

Your SWORKz S350 BK1 EVO kit warranty covers workmanship and manufacturing defects of the original and unmodified parts.

Warranty claims resulting from crashes, abuse, improper operation, improper mounting, improper adjustment or lack of maintenance will not be honored.

Contact your local hobby shop or SWORKz distributor for all claims and questions. Claims must be well documented. All Claims are subject to expert examination approval by SWORKz.



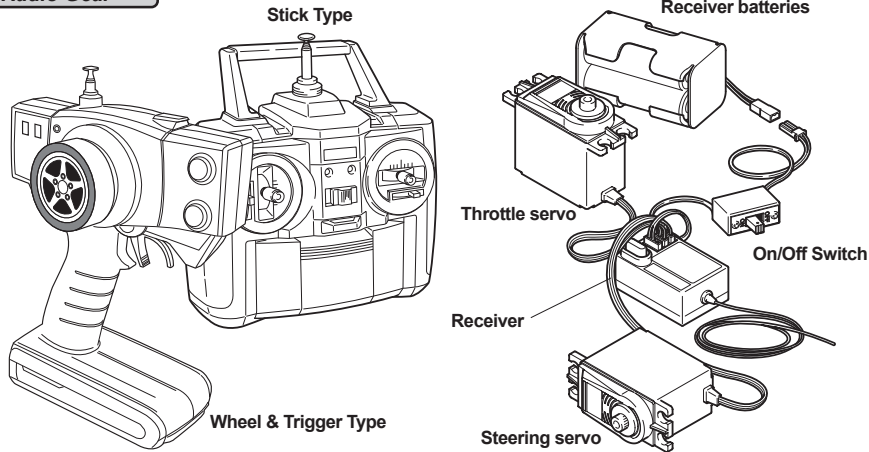
<b>INSTRUCTION</b>	<b>2</b>
<b>Warranty</b>	<b>3</b>
<b>INDEX</b>	<b>4</b>
<b>Required Equipment for Operation</b>	<b>5</b>
<b>Explosion View with Key No</b>	<b>6-14</b>
<b>Operation Guide</b>	<b>15</b>
<b>Assembly Steps</b>	<b>16-46</b>
<b>Set-up Sheet</b>	<b>47</b>
<b>Blank Set-up Sheet</b>	<b>48</b>
<b>S350 BK1 EVO Key No. List</b>	<b>49</b>
<b>S350 BK1 EVO Spare Part List</b>	<b>50-51</b>
<b>S350 BK1 EVO Option Part List</b>	<b>51</b>
<b>End cover</b>	<b>52</b>



**This radio controlled racing car is not a toy!  
This high-performance R/C model is recommended for ages  
14 and older.**

# Required Equipment for Operation

## Radio Gear

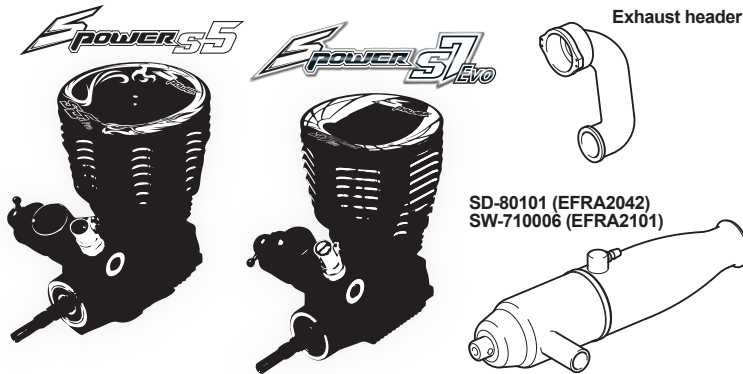


## Nitro fuel

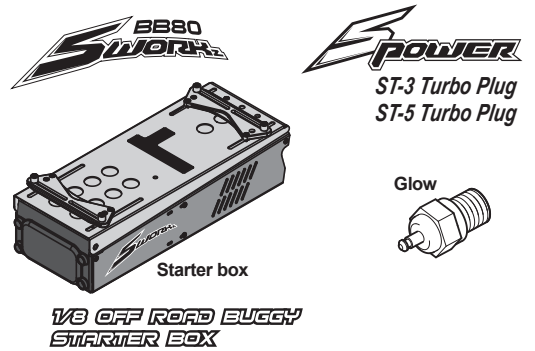
We recommend that you use fuel containing 20~25% nitro.



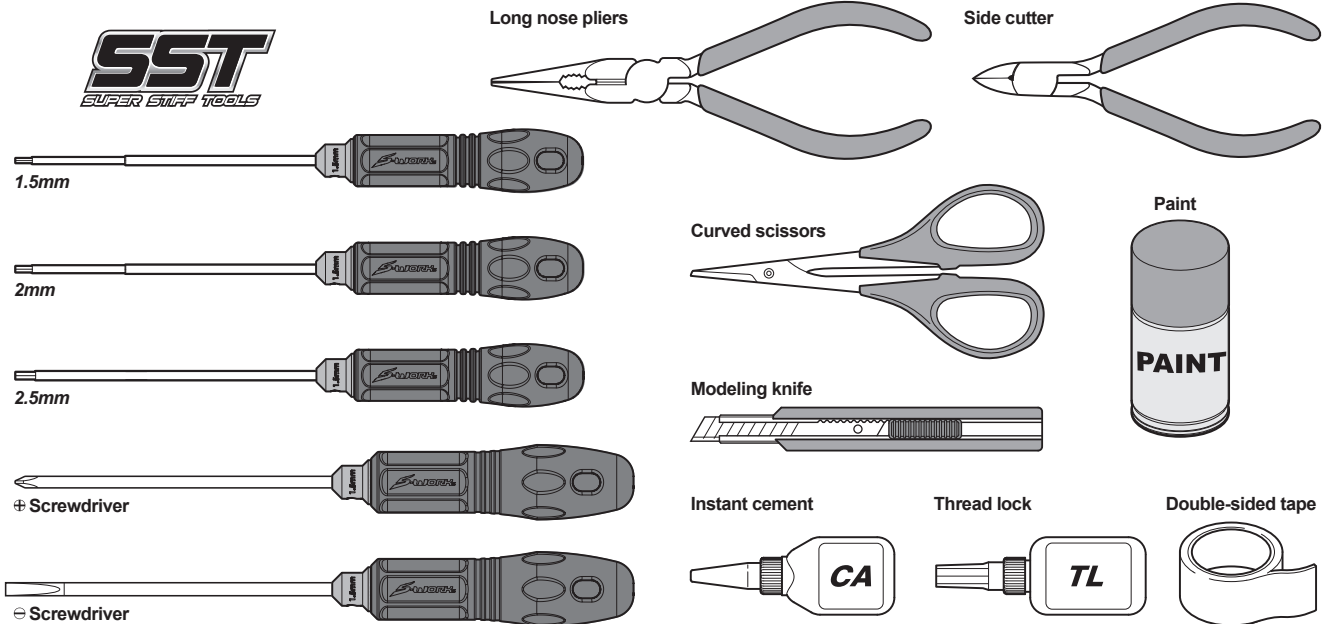
## Engine Recommended



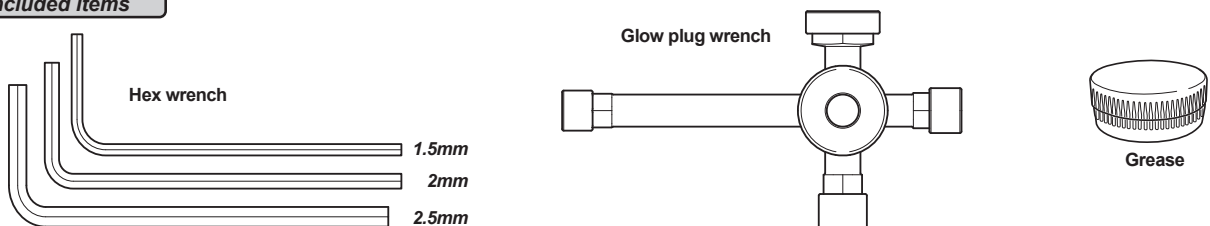
## Engine Starting Equipment



## Tools Recommended



## Included items





**104001**  
M5x4mm Set Screw x6



**104004**  
M3x3mm Set Screw x12



**104005**  
M3x4mm Set Screw x4



**104007**  
M4x8mm Set Screw x4



**104008**  
M4x4mm Set Screw x1



**105001**  
M3x8mm Cap Screw x1



**105004**  
M2.6x6mm Cap Screw x9



**105005**  
M3x12mm Cap Screw x6



**105013**  
M3x28mm Cap Screw x4



**105007A**  
M4x8mm I-Head Screw x4



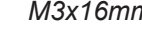
**105011**  
M3x23mm Cap Screw x2



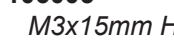
**106002**  
M3x10mm Hex Socket OH/TP Screw x6



**106003**  
M3x16mm Hex Socket OH/TP Screw x6



**106005**  
M3x15mm Hex Socket OH/TP Screw x13



**106006**  
M3x20mm Hex Socket OH/TP Screw x3



**106007**  
M3x12mm Hex Socket OH/TP Screw(HT) x7



**106008**  
M3x12mm Hex Socket OH/TP Screw x8



**106009**  
M3x25mm Hex Socket OH/TP Screw x4



**106010**  
M3x6mm Hex Socket OH/TP Screw x33



**108001**  
M3x12mm FH/ST HEX Screw x22



**108003**  
M3x10mm FH/ST HEX Screw x26



**108006**  
M3x8mm FH/ST HEX Screw x29



**108014**  
M3x3mm FH/ST HEX Screw x4



**108008**  
M3x35mm FH/ST HEX Screw x4



**108009**  
M3x20mm FH/ST HEX Screw x4



**108010**  
M4x10mm FH/ST HEX Screw x2



**108011**  
M4x12mm FH/ST HEX Screw x4



**108012**  
M4x16mm FH/ST HEX Screw x8



**108013**  
M4x8mm FH/ST HEX Screw x1



**108015**  
M3x16mm FH/ST HEX Screw x2



**101004**  
Washer 3.5X10X0.2mm x12



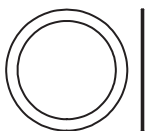
**101013**  
3mm Spring Washer x4



**101015**  
M5x8xT0.4mm x5



**101016**  
M3x8xT0.8mm x1



**101018**  
SHIM 13x16x0.2mm x6



**101021**  
Washer M3x8xT0.8mm x5



**101019**  
SHIM 6.0x10.0x0.2mm x2



**101010**  
M3 Countersunk Washer x4



**101014**  
M3 Pivot Ball Bushing x1



**101020**  
3mm Countersunk Washers (RD) x6



**103001**  
M3 Nut Lock x22



**103003**  
Flange M3 Nut Lock x4



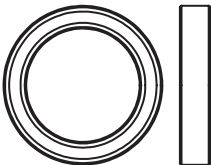
**116004**  
Ball Bearing 6x10x3mm x4



**116006**  
Ball Bearing 8x16x5mm x14



**116010**  
Ball Bearing 5x10x4mm x2



**116012**  
Ball Bearing 15x21x4mm x4



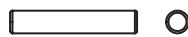
**117003**  
Flange Ball Bearing 3x6x2.5mm x6



**200135**  
Rear Wheel Axle Insert (1mm) x4



**200136**  
Rear Wheel Axle Insert (2mm) x2



**330124**  
Pin M3.0x16.8mm x4



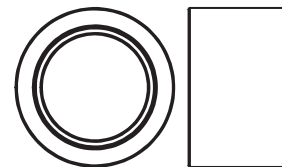
**330224**  
Shock Seal Washer x4  
4.15x7.6x1mm



**330223**  
Shock Seal Washer x4  
4.15x7.6x2.5mm



**330117**  
Knuckle Pivot Ball Washer x2



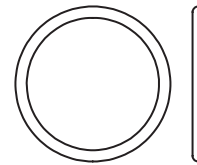
**200267**  
S350 BX1/BR1 S-System Pinion  
Gear Holder (Plastic) x2



**400002**  
O-ring S5 4.8X1.5 x6



**400011A**  
Shock Seal O-Ring x8



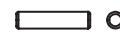
**400005**  
Shock Spring Adjust Nut O-Ring x4



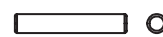
**330119**  
Front Upper Arm HingPin x2



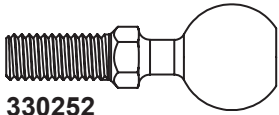
**330013**  
Bevel Gear Shaft x6



**330015**  
Pin M2.2x9.9mm x6



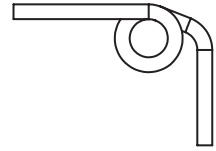
**330111**  
Pin M2.5x14.8mm x6



**330252**  
Steering Knuckle Pivot Ball Turnbuckle **x4**



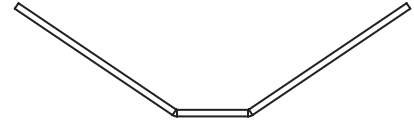
**115003**  
Tornado Clutch Spring **x3**



**115011**  
Pipe Spring **x1**



**330123A**  
Rear Upper Sus. Arm Turnbuckles M5x38mm **x2**



**115005**  
Rear Sway Ball 2.8mm **x1**



**330126A**  
Steering Turnbuckle M4x40mm **x2**



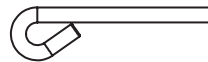
**115019**  
Body Clip **x2**



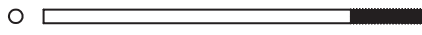
**115008**  
Front Sway Ball 2.3mm **x1**



**330155**  
Steering Servo Turnbuckle (M3x30mm) **x2**



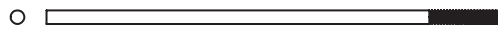
**330106**  
Brake Cam **x2**



**115016**  
Throttle Rod 50mm **x1**



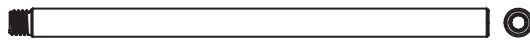
**115004**  
Servo Saver Spring **x1**



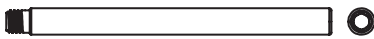
**115018**  
Brake Rod 60mm **x2**



**115075**  
Shock Spring S (1.4mm x P14)(OR) **x2**



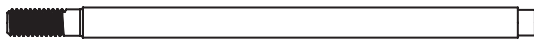
**330103**  
Front/Rear Lower Arm HingPin **x4**



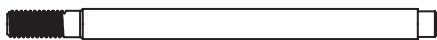
**330120**  
Rear Hub Carriers Hing pin **x2**



**115076**  
Shock Spring L (1.4mm x P14)(OR) **x2**



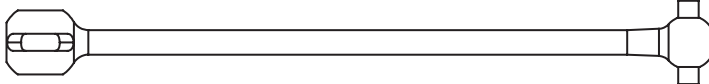
**330220**  
BK1 EVO 4mm Shock Shaft (L) **x2**



**330133**  
BK1 EVO 4mm Shock Shaft (S) **x2**



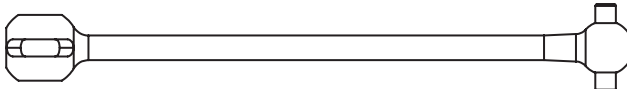
**115015**  
Brake Spring **x2**



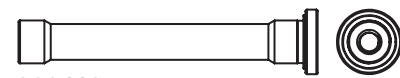
**330109**  
F/R Drive Shaft 93.5mm **x4**



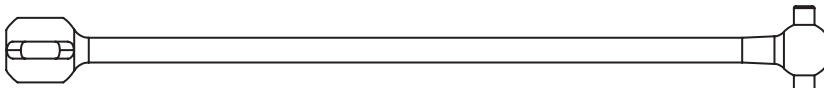
**115017**  
Throttle Rod Spring **x1**



**330162**  
S-System CVD draft shaft 82.5mm **x1**



**330113**  
Servo Saver Shaft **x2**

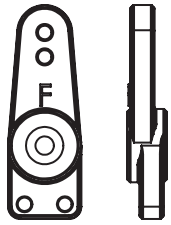


**330163**  
S-System CVD draft shaft 111mm **x1**



**330114A**  
S350 Servo Saver Post (HC) **x1**





**200180**  
Throttle Servo Horn **x1**  
(For Futaba)



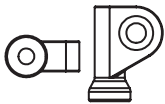
**200183**  
Brake Servo Horn **x1**



**200184**  
Brake Linkage Holder **x2**



**200185**  
Throttle Linkage Ball End **x1**



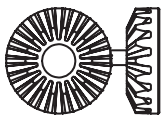
**200186**  
Throttle Linkage Holder **x1**



**200187**  
Throttle Linkage Holder (Done) **x1**



**200188**  
Throttle Linkage Holder (Up) **x1**



**320003**  
Diff. Bevel Gear 18T **x6**



**320004**  
Diff. Bevel Gear 10T **x12**



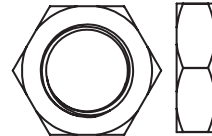
**330160**  
S-System Pinion Gear 13T **x2**



**330009**  
Tornado Fly Wheel **x1**  
Center Nut



**330121A**  
Wheel Hub **x4**



**330122A**  
Wheel Nut **x4**



**330222A**  
Shock Seal Cover **x4**



**330125**  
Rear Upper Sus.  
Arm Ball Stud **x4**



**330127**  
Steering Linkage **x4**  
Ball Stud 7mm



**330134**  
Shock Ball Stud **x10**



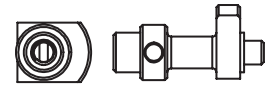
**330136**  
Sway Bar Ball Stud **x4**



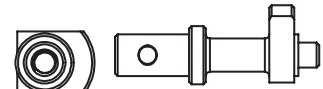
**330138A**  
Shock Cap Stud **x4**



**410031**  
Seies Hex-Cell Shock Bladder **x4**



**330104**  
Brake Cam (S) **x1**



**330105**  
Brake Cam (L) **x1**



**330140**  
Pipe Holder **x1**



**330110**  
CVD Join **x6**



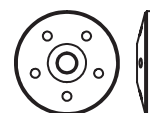
**330156**  
Adjuster Knob **x4**



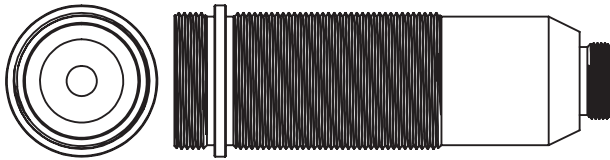
**330157**  
Brake Adjuster Knob **x2**



**330159**  
Center CVD Join **x2**



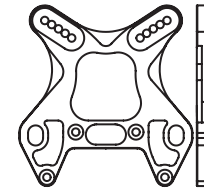
**330439**  
Shock Piston 1.3mm x5 **x4**  
Holes



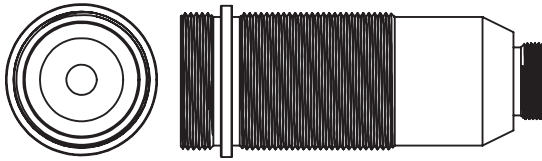
**330218**  
Pro Shock Body 2.0 (L) x2



**330135**  
Servo Saver Nut x1



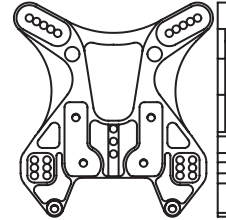
**330414**  
7075 Aluminum Front Shock Tower x1



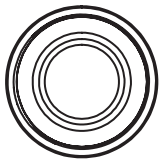
**330219**  
Pro Shock Body 2.0 (S) x2



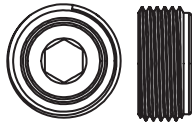
**330131A**  
Shock Spring Adjust Nut x4



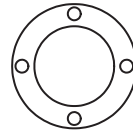
**330415**  
7075 Aluminum Rear Shock Tower x1



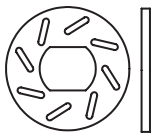
**330139A**  
Shock Cap x4



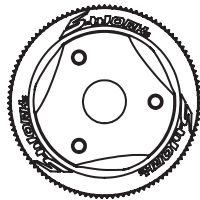
**330118**  
Knuckle Pivot Ball Nut x4



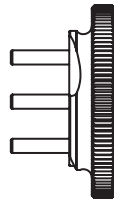
**610002**  
Diff. Gasket (0.5T) x3



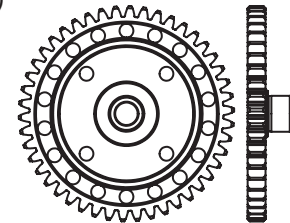
**300017**  
Brake Disc x2



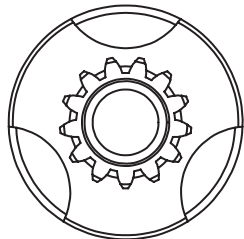
**330008**  
Tornado Fly Wheel Set x1



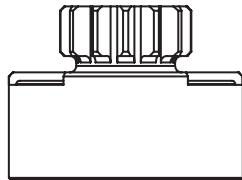
**330164**  
Crown Gear 43T x2



**330018**  
46T SPUR GEAR x1



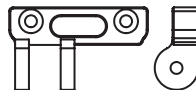
**330137**  
Clutch Bell 13T x1



**330401**  
Rear Hub Carriers Hing Pin with Nut x2



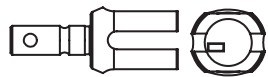
**330006**  
Tornado Clutch Shoes x3



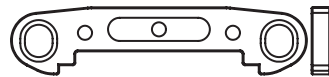
**330399A**  
S350 Series Aluminum Rear Chassis Brace Mount x1



**330435**  
High Performance Matel Brake Calipers 2.0 A Side x2



**330017**  
Center Diff. Outdrive x2



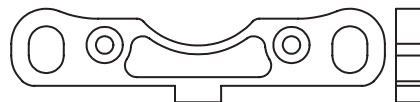
**330086**  
S350 Front Lower Suspension Plate x1



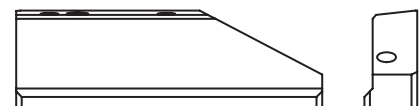
**330436**  
High Performance Matel Brake Calipers 2.0 B Side x2



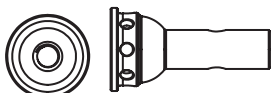
**330014**  
Front/Rear Diff. Outdrive x4



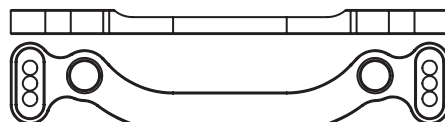
**330267A**  
Aluminum Rear Lower Arm Holder (FC USE) x1



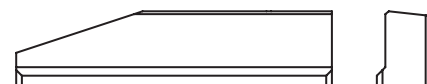
**330100A**  
Engine Mount (L) x1



**330112**  
CVD Axle x4



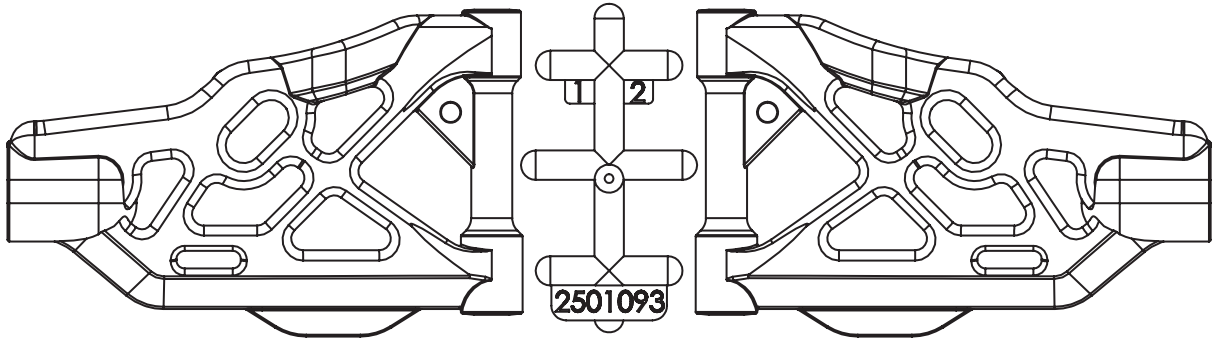
**330249**  
Servo Saver Steering Plate x1



**330101A**  
Engine Mount (R) x1

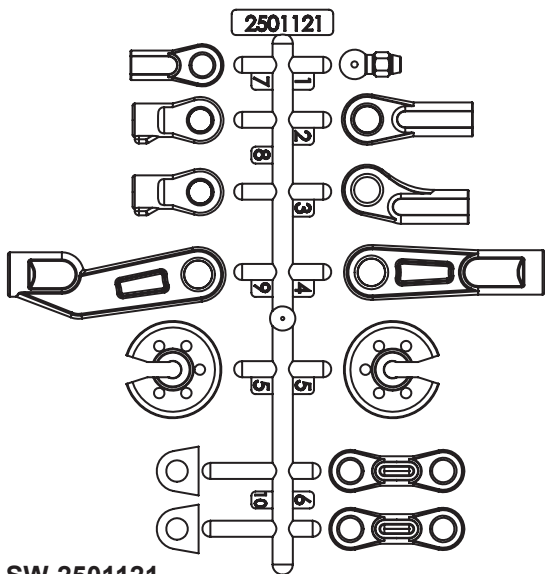
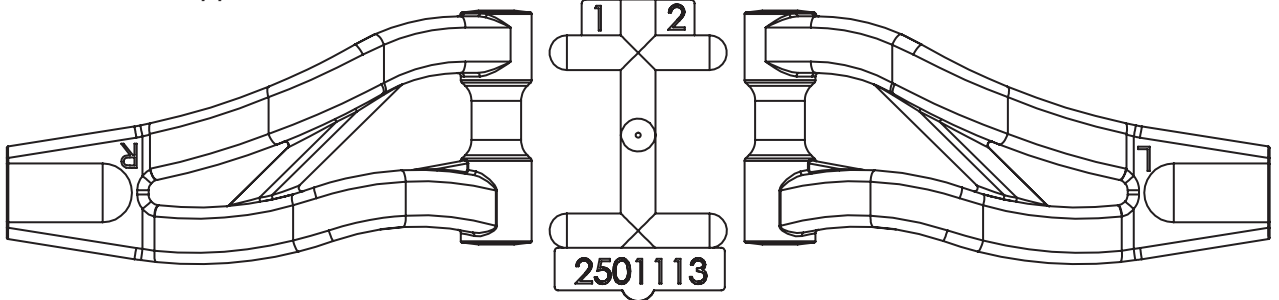
**SW-2501093A**

S350 Front Lower Arm +4mm Wheel Base (L&R) **x1**



**SW-2501113**

S350 Front Upper Arm Set (L&R) **x1**

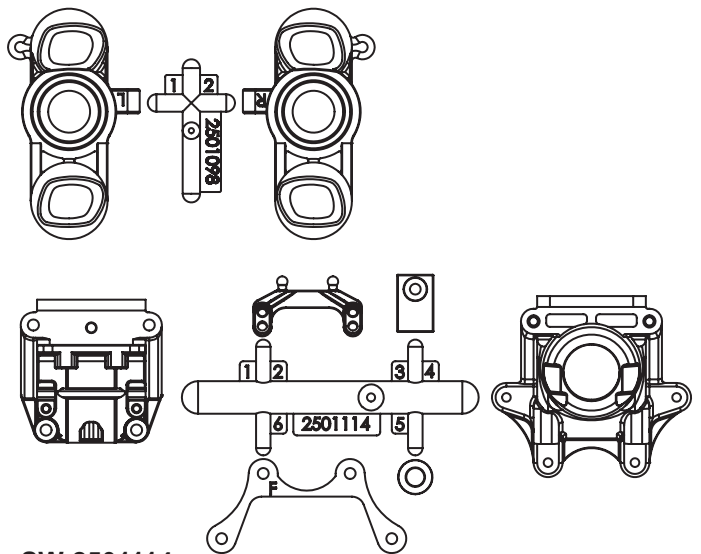


**SW-2501121**

S350 Ball End Set with **x2**  
Shock Plastic Parts (2 Set)

**SW-2501098**

S350 Front Steering Knuckle Set (L&R) **x1**

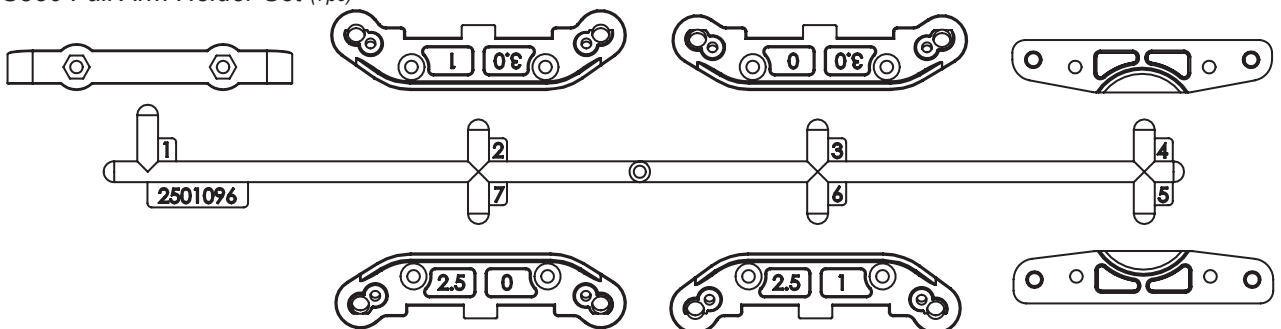


**SW-2501114**

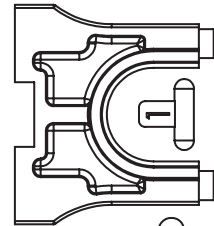
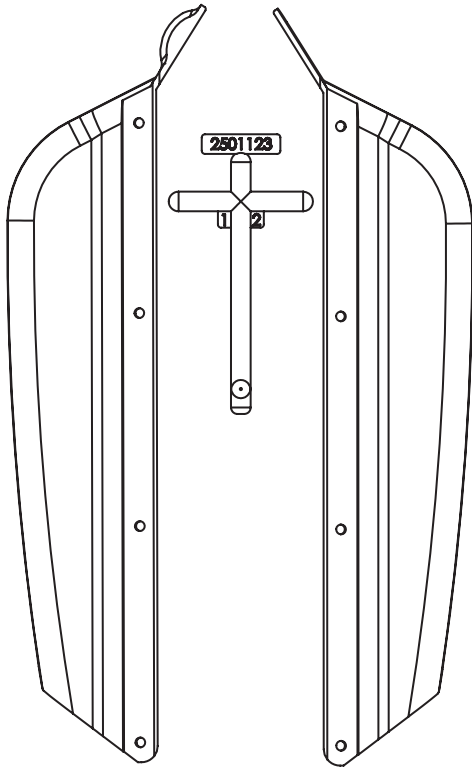
S350 Gear Box Set (F&R) **x2**

**SW-2501096**

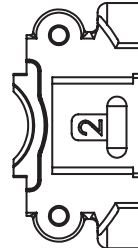
S350 Full Arm Holder Set (7pc) **x1**



**SW-2501123**  
S350 Side Guard Set (L&R) **x1**



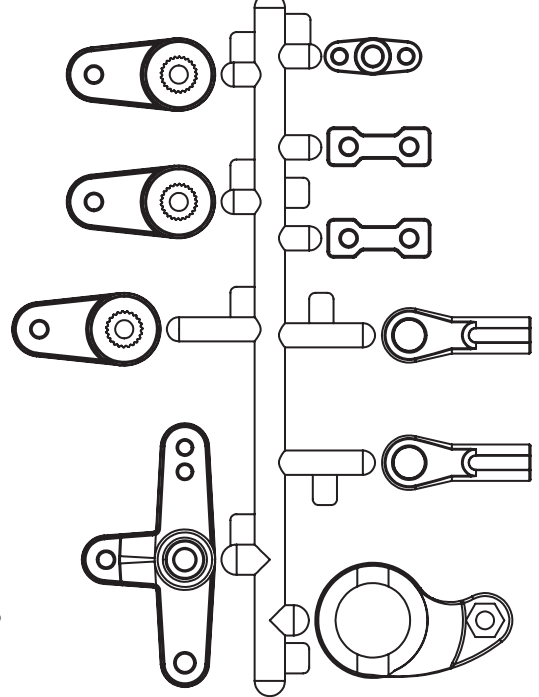
2501124



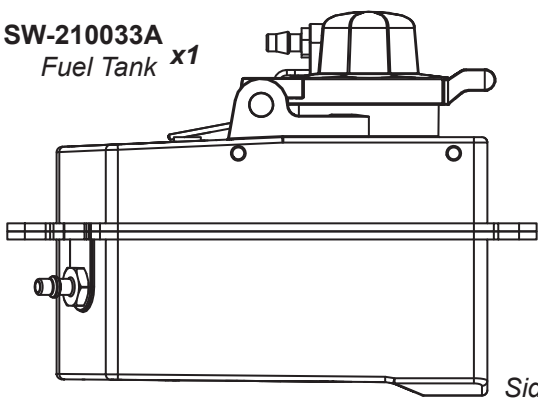
**SW-210002**  
Center Diff. Mount **x2**  
(Lower)(Upper)

**SW-2501667**  
S350 Power Steering Servo Savor **x1**  
Arm Plastic

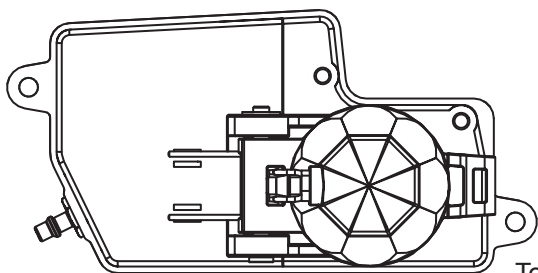
2501667



**SW-210033A**  
Fuel Tank **x1**

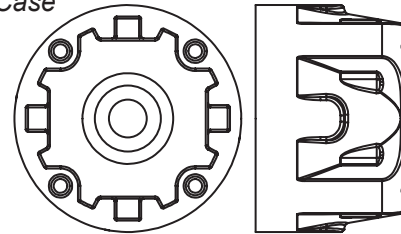


Side View



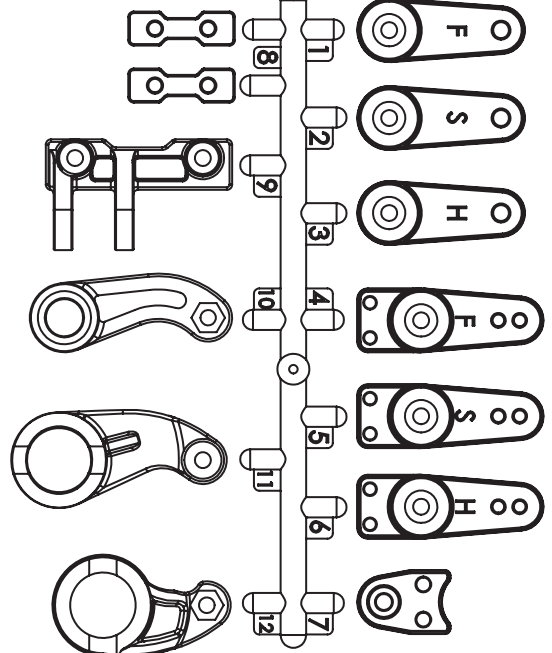
Top View

**SW-210002A** **x3**  
Diff. Case

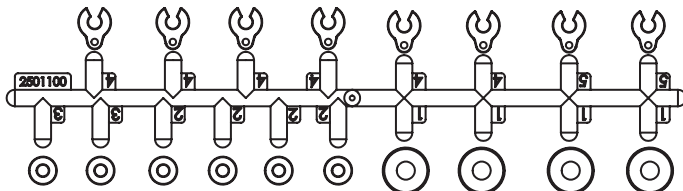


**SW-2501122**  
S350 Setting Bellcrank Set **x1**  
with Servo Horn Set

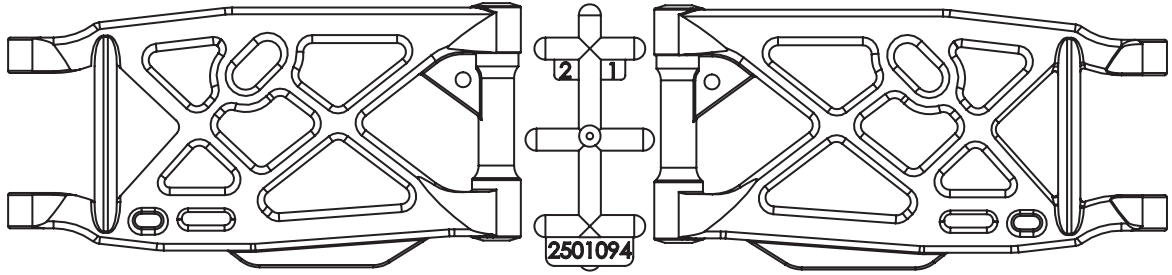
2501122



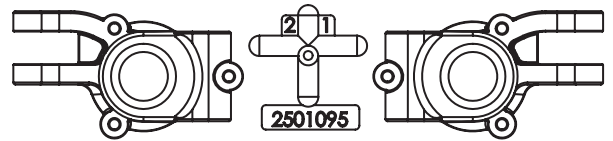
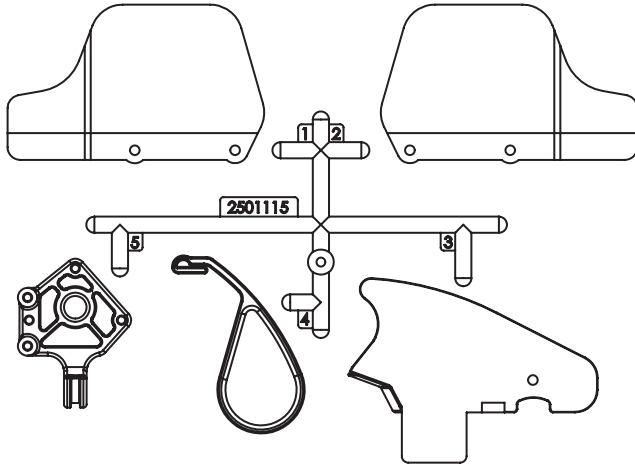
**SW-2501100**  
S350 Pivot Ball Cup **x4**  
Caster Insert Set



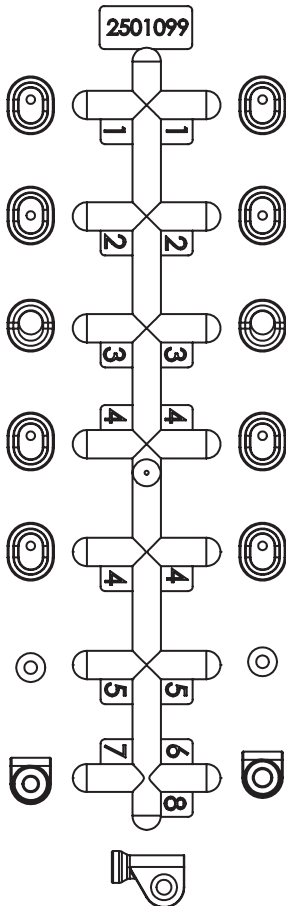
**SW-2501094A**  
S350 Rear Lower Arm Set (L&R) **x1**



**SW-2501115**  
S350 Rear Lower Arm Dusty Cover with Fuel Sprinkle Guard **x1**

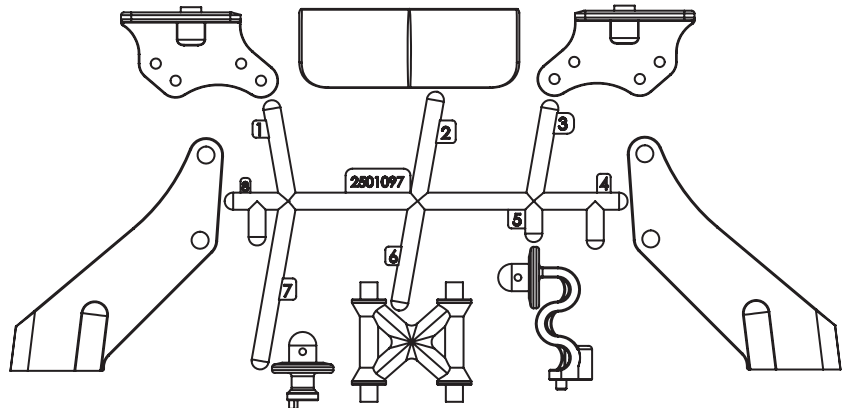


**SW-2501095**  
S350 Rear Hub Carrier Set (L&R) **x1**

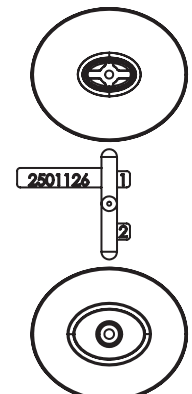
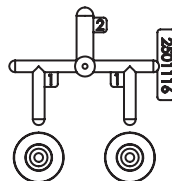


**SW-2501099**  
S350 R/F Insert **x2**  
Brake  
Throttle Linkage  
Linkage Holder

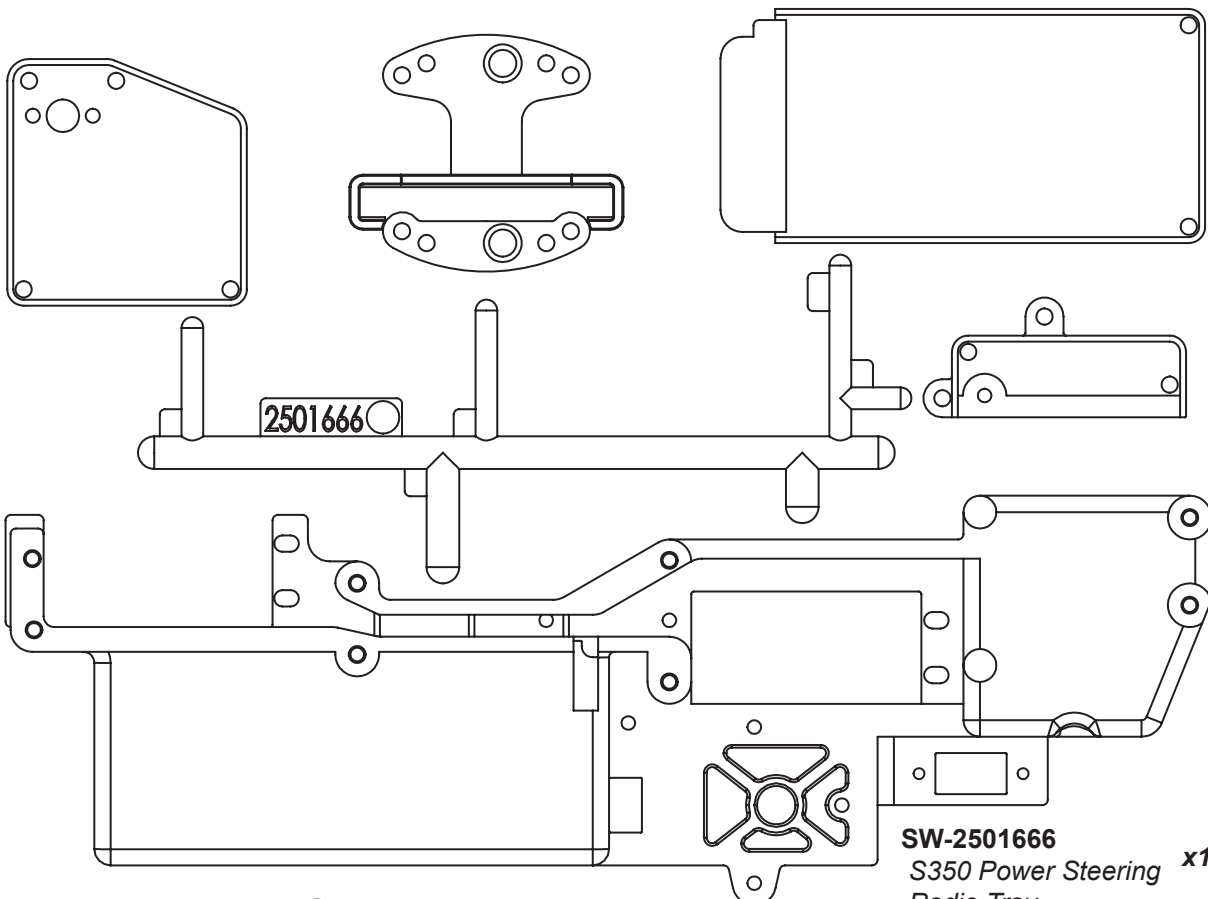
**SW-2501097**  
S350 Wing Stay Set with Bumper **x1**



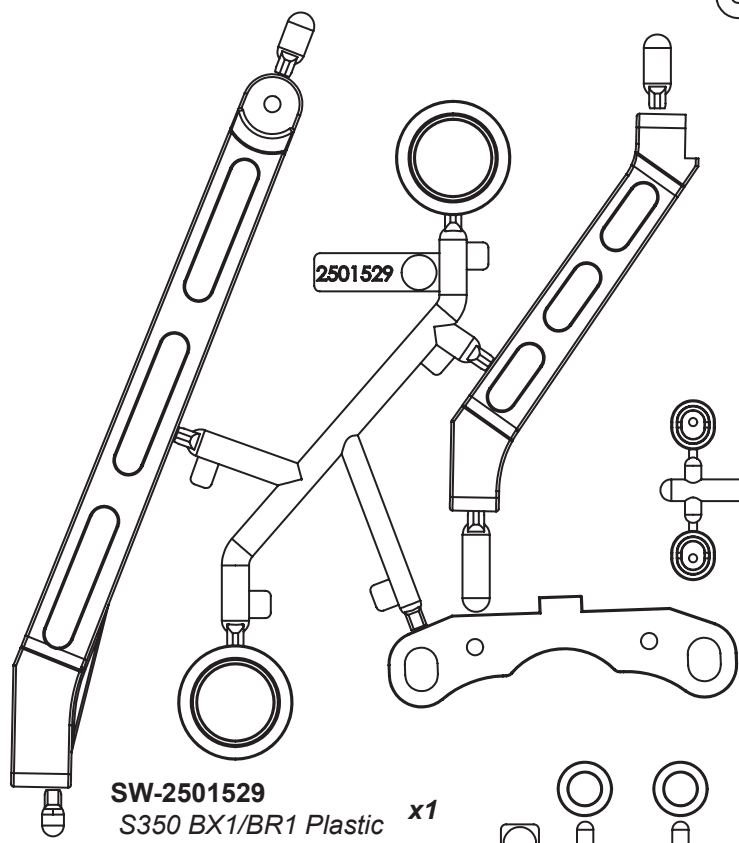
**SW-2501116**  
S-WORKz  
High Done Force Wing Set **x1**  
(BK)(Fit S350)



**SW-2501126**  
Ail Filter Set **x1**

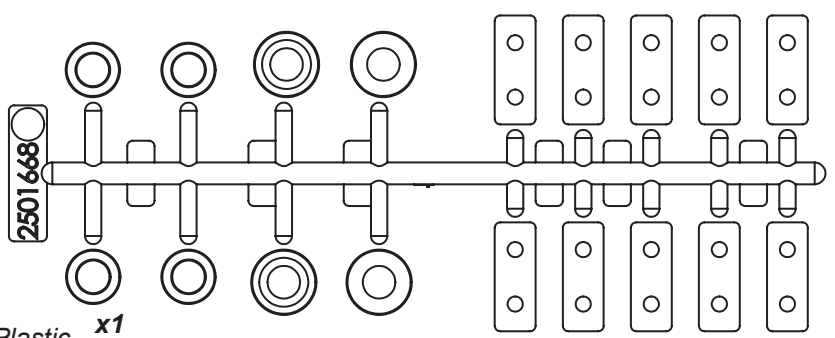
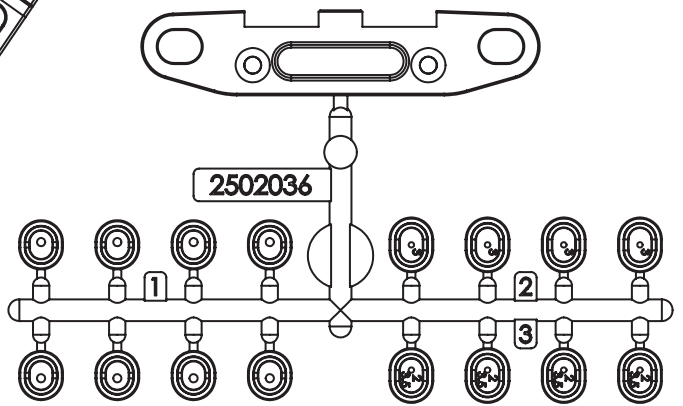


**SW-2501666**  
*S350 Power Steering* x1  
*Radio Tray*



**SW-2501529**  
*S350 BX1/BR1 Plastic* x1  
*Chassis Brace Set*

**SW-2502036**  
*S350 Series Rear Changable* x1  
*Plastic Lower Arm Plate with insert*

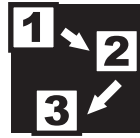


**SW-2501668**  
*S350 Series Plastic* x1  
*Insert Set*

## Operation Guide



Assemble front and rear



Assemble in the specified order



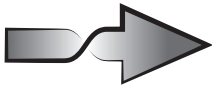
Assemble both left and right sides



Assemble for 2 sets



Assemble for 4 sets



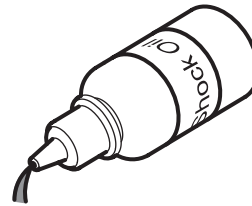
overturn



Thread Locking Compound



Grease



Pure Silicone Oil



Air filter oil

## Safety Precautions

The SWORKz S350 BK1 EVO is a high performance radio controlled model which needs to be operated with caution and common sense.

The S350 BK1 EVO Pro Kit is not intended for children under the age of 14 without adult supervision. SWORKz shall not be held liable for any loss or damages, whether direct, indirect, act of nature, arising from the abuse or misuse of this product or any other product required while operating this model.

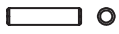
- The nitro fuel can be dangerous is improperly handled.
- Always keep your nitro fuel in a cool area and never use near flame, sparks, or while smoking.
- Keep your nitro fuel, and all other flammables, out of the reach of children.
- Always run your model in a well ventilated area outdoors. Never run your model indoors.
- After running your car, all parts of the engine and exhaust can become extremely hot. Be careful not to touch these parts especially when refueling, or making repairs.
- This model is controlled by your radio and that is vulnerable to interference from many outside sources. This interference can cause a loss of control so it is necessary to operate this model in an open area to avoid personal, or property damage. Always ensure turning on your radio first.
- Keep all the product included in the package out of reach of children.
- This model contains many fast rotating parts. Never touch them during operation.
- Follow the instruction included with your radio gear.
- Never operate your model near people or property. The speed of this model has the potential for injury and or damage to people and or property.
- Always use original SWORKz spare and option parts.
- Always ensure the buggy is in proper working condition before use.
- Always exercise caution when using any and all tools.

# BAG B

**1**

**F**  
**R**

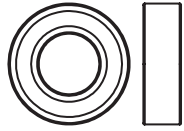
**x2**



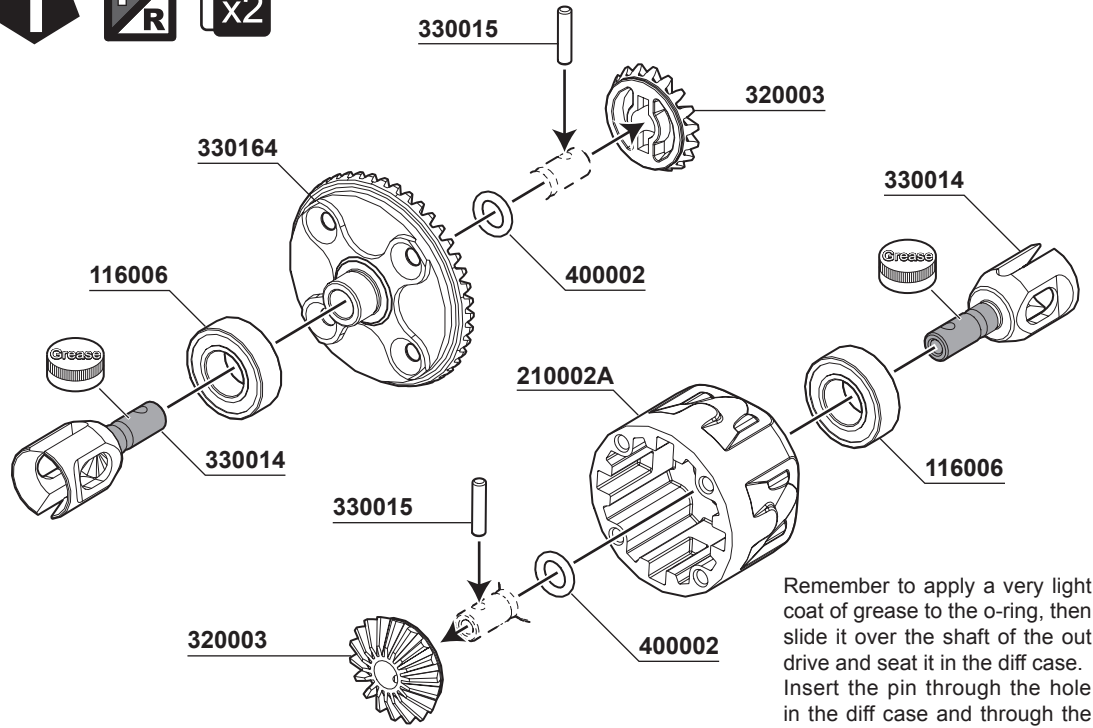
**330015**  
Pin M2.2x9.9mm **x4**



**400002**  
O-ring S5 4.8X1.5 **x4**



**116006**  
Ball Bearing 8x16x5mm **x4**



Remember to apply a very light coat of grease to the o-ring, then slide it over the shaft of the out drive and seat it in the diff case. Insert the pin through the hole in the diff case and through the hole in the shaft of the out drive.

**2**

**F**  
**R**

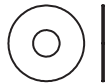
**x2**



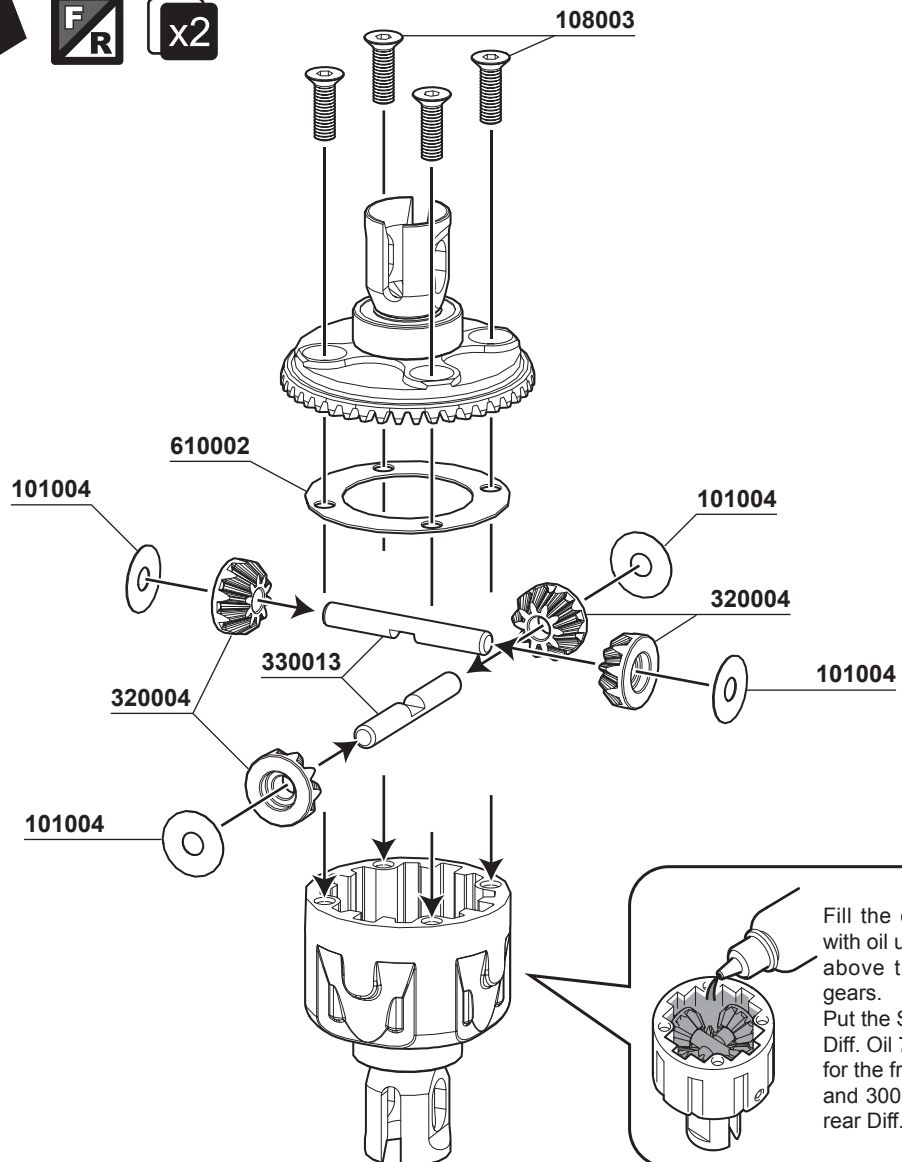
**108003**  
M3x10mm FH/ST HEX Screw **x8**



**330013**  
Bevel Gear Shaft **x4**

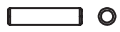


**101004**  
Washer 3.5X10X0.2mm **x8**



Fill the differentials with oil up to 80% above the satellite gears. Put the SWORKz Diff. Oil 7000cps for the front Diff. and 3000cps for the rear Diff.





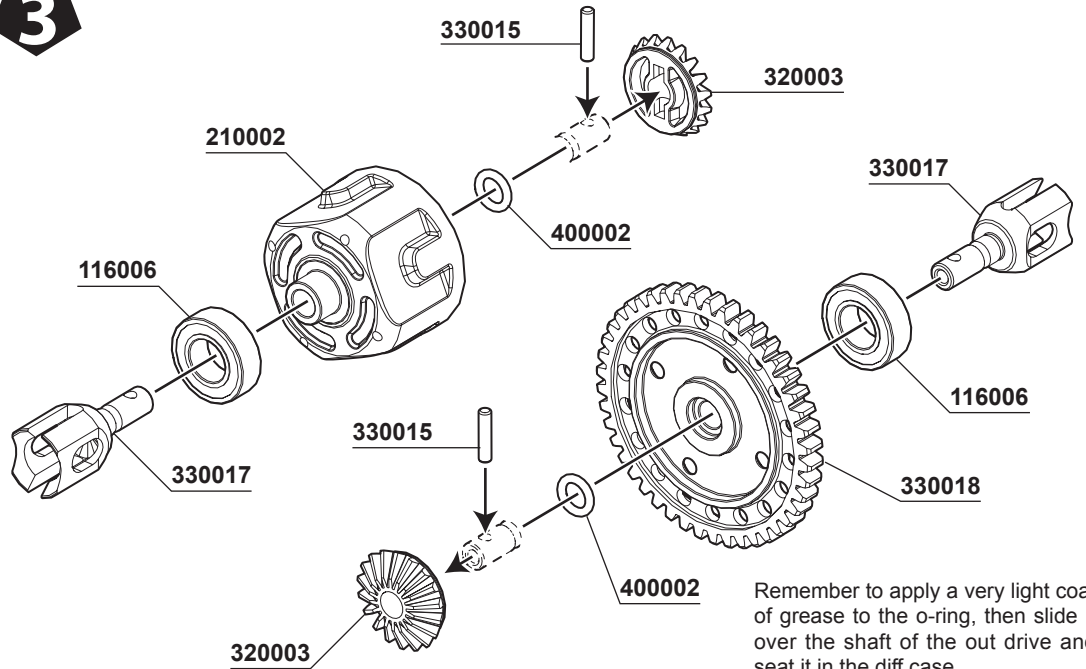
**330015**  
Pin M2.2x9.9mm x2



**400002**  
O-ring S5 4.8X1.5 x2



**116006**  
Ball Bearing 8x16x5mm x2



Remember to apply a very light coat of grease to the o-ring, then slide it over the shaft of the out drive and seat it in the diff case. Insert the pin through the hole in the diff case and through the hole in the shaft of the out drive.



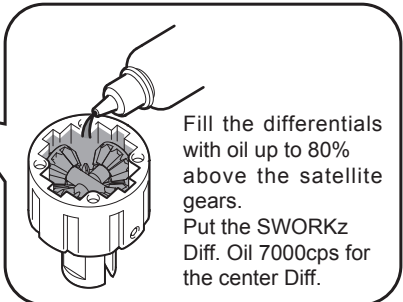
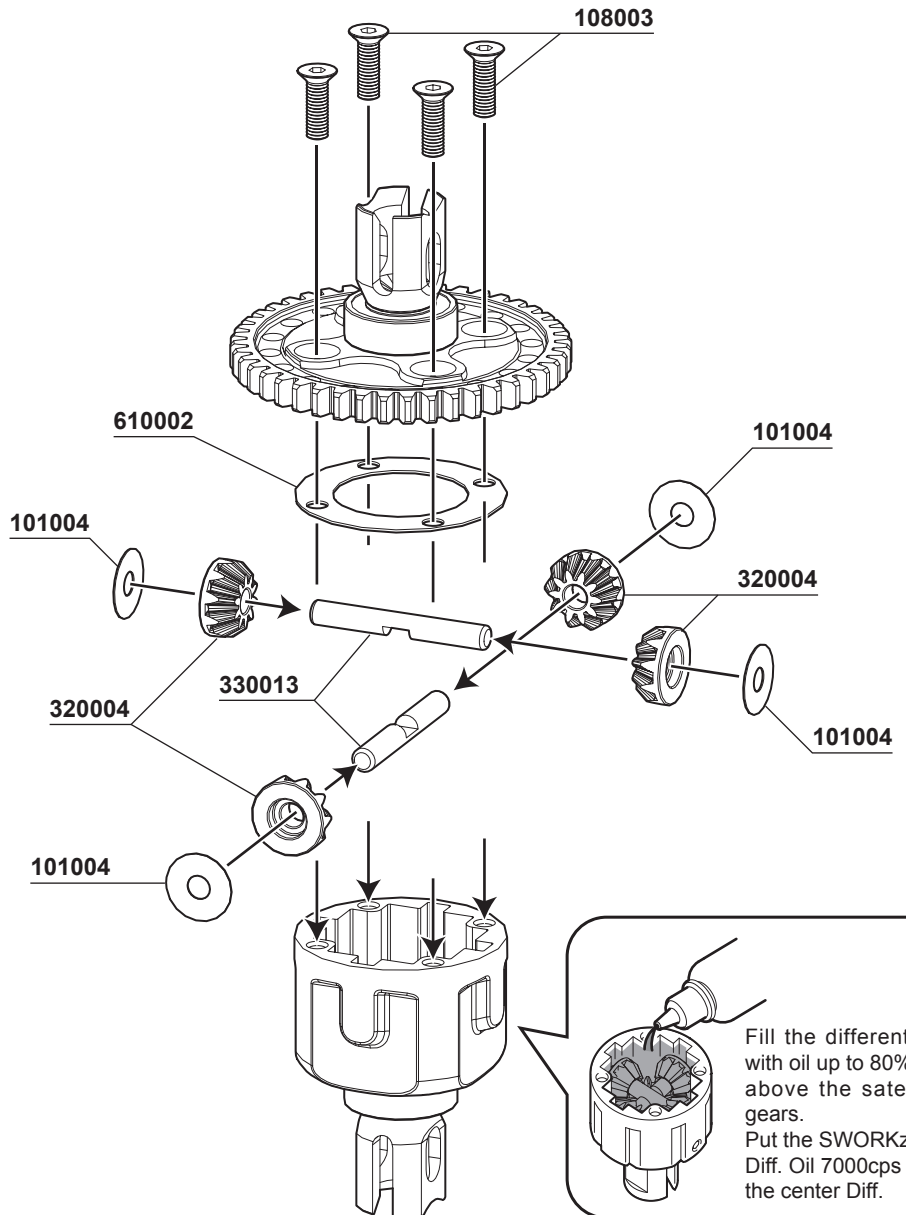
**108003**  
M3x10mm FH/ST HEX Screw x4



**330013**  
Bevel Gear Shaft x2

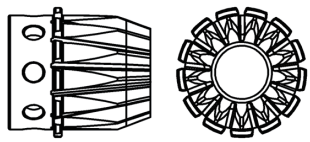


**101004**  
Washer 3.5X10X0.2mm x4



Fill the differentials with oil up to 80% above the satellite gears. Put the SWORKz Diff. Oil 7000cps for the center Diff.

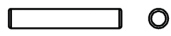
# SWORKz S350 BK1 EVO X-system Transmission Set Assembly Note



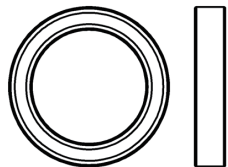
330102  
X-system Pinion Gear 13T x2



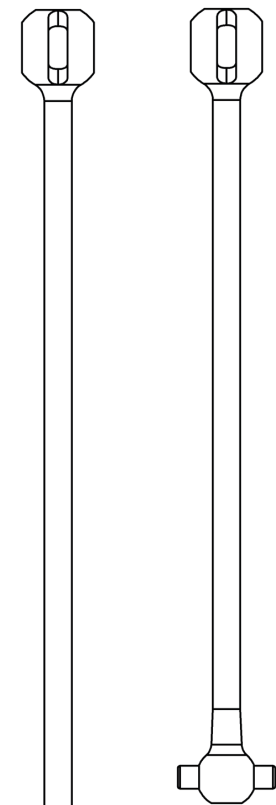
330110  
CVD Join x2



330111  
Pin M2.5x14.8mm x2



116012  
M15x21x4mm x6



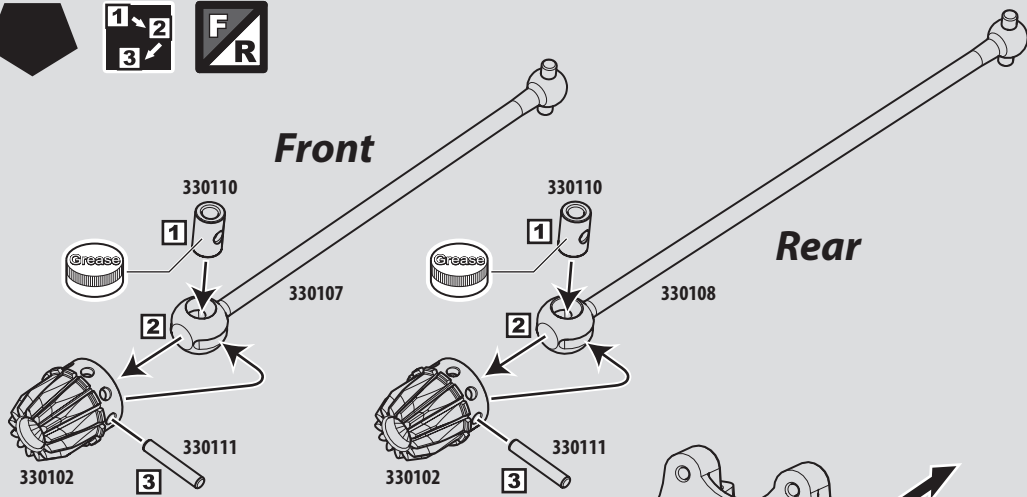
330107  
X-system C/F Drive Shaft 96.5mm x1

330108  
X-system C/R Drive Shaft 125mm x1



Front

Rear

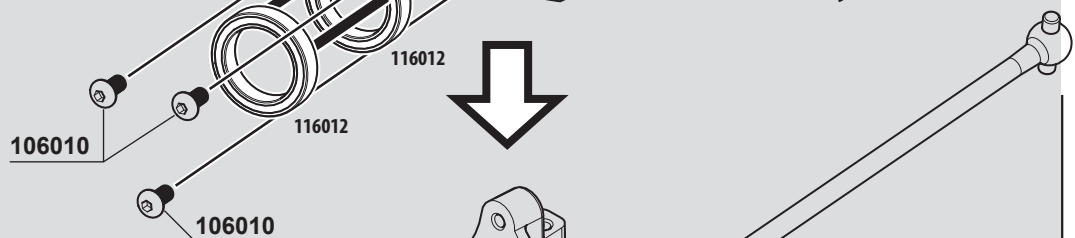


Place pin and tighten with set screw

Insert 15x21x4mm Bearings into bulkhead

106010  
M3x6mm Hex Socket OH/TP Screw x6

Install the X-System



Reinstall differential into Bulkhead.

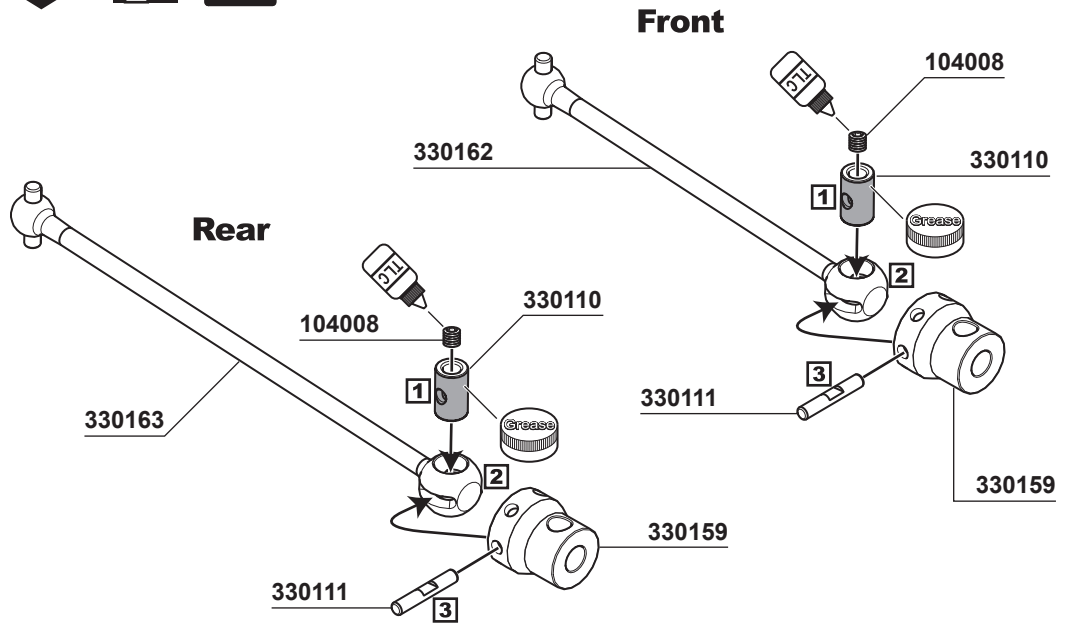
\*Not Included

# BAG D

**5**

**104008**  
M4x4mm Set Screw x2

**330111**  
Pin M2.5x14.8mm x2



# BAG M

**6**

**104001**  
M5x4mm Set Screw x1

**106010**  
M3x6mm Hex Socket OH/TP Screw x3

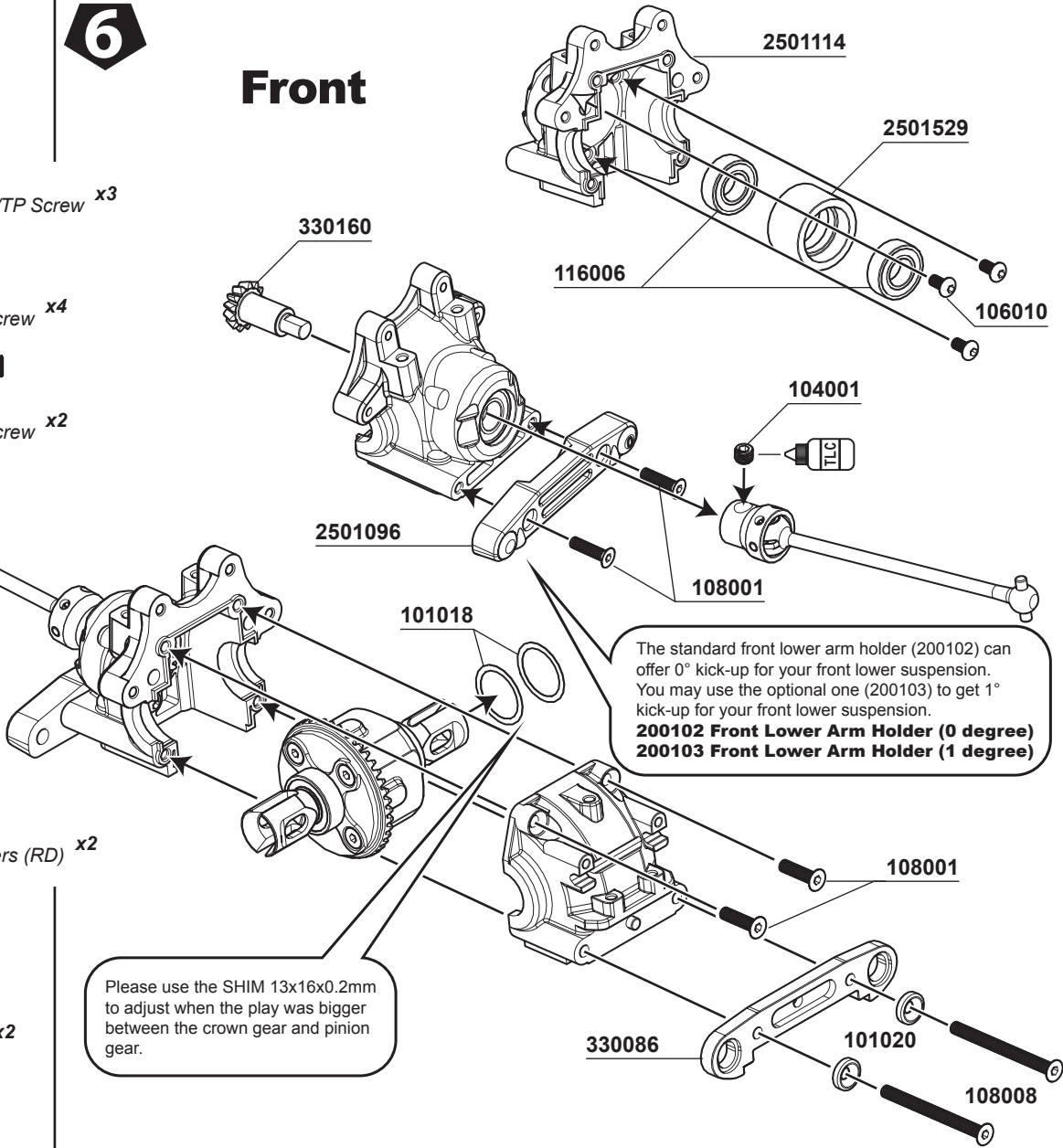
**108001**  
M3x12mm FH/ST HEX Screw x4

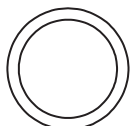
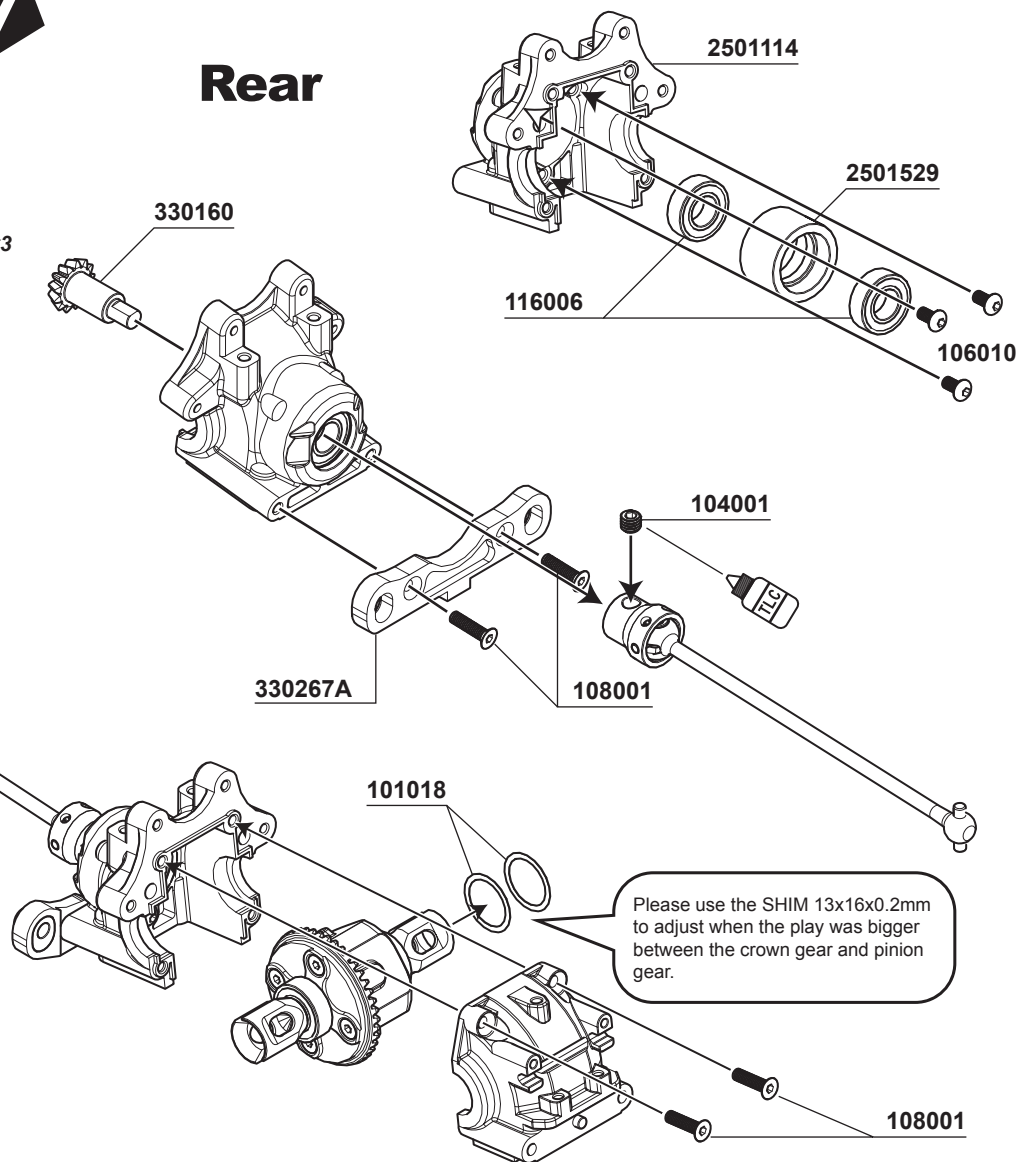
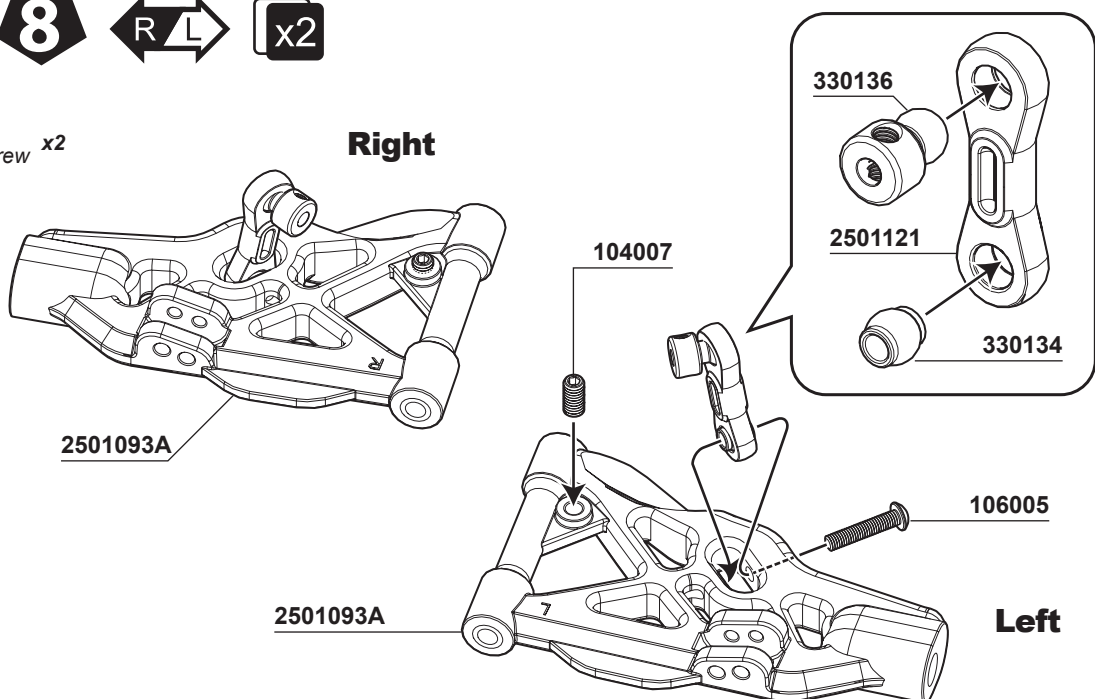
**108008**  
M3x35mm FH/ST HEX Screw x2

**101018**  
SHIM 13x16x0.2mm x2

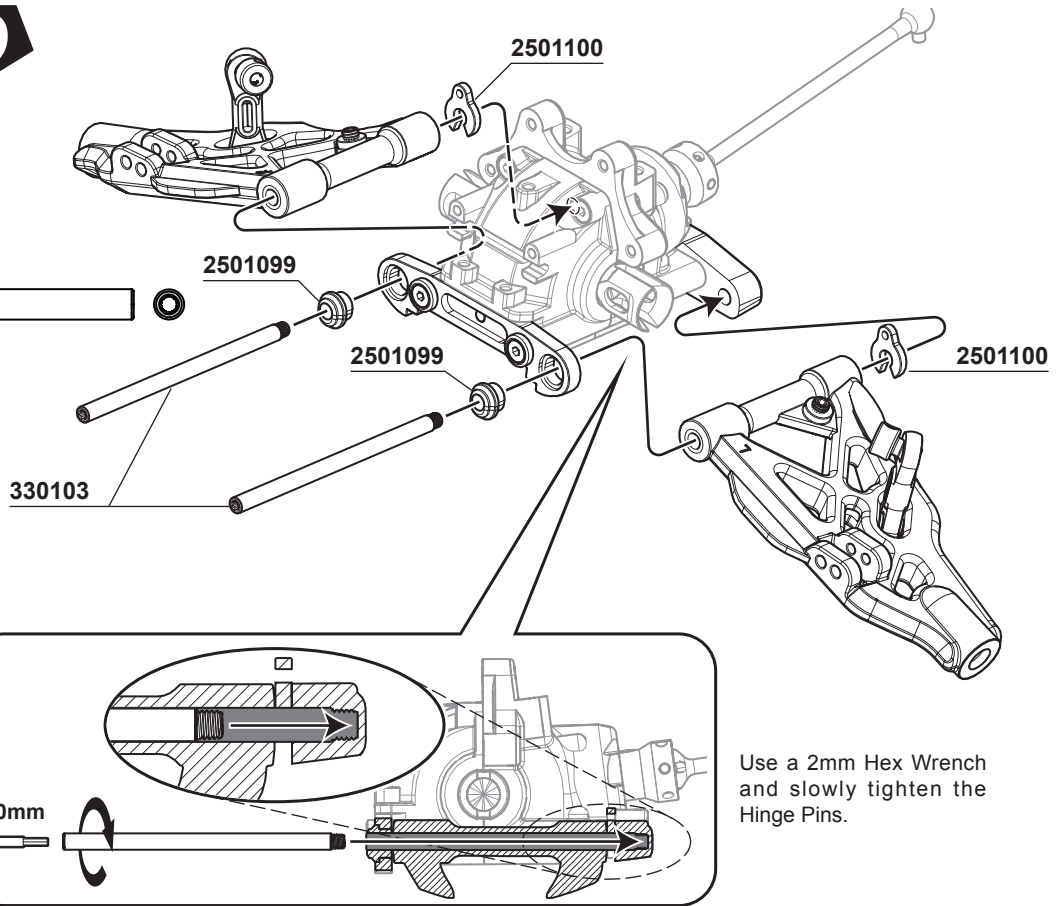
**101020**  
3mm Countersunk Washers (RD) x2

**116006**  
Ball Bearing 8x16x5mm x2

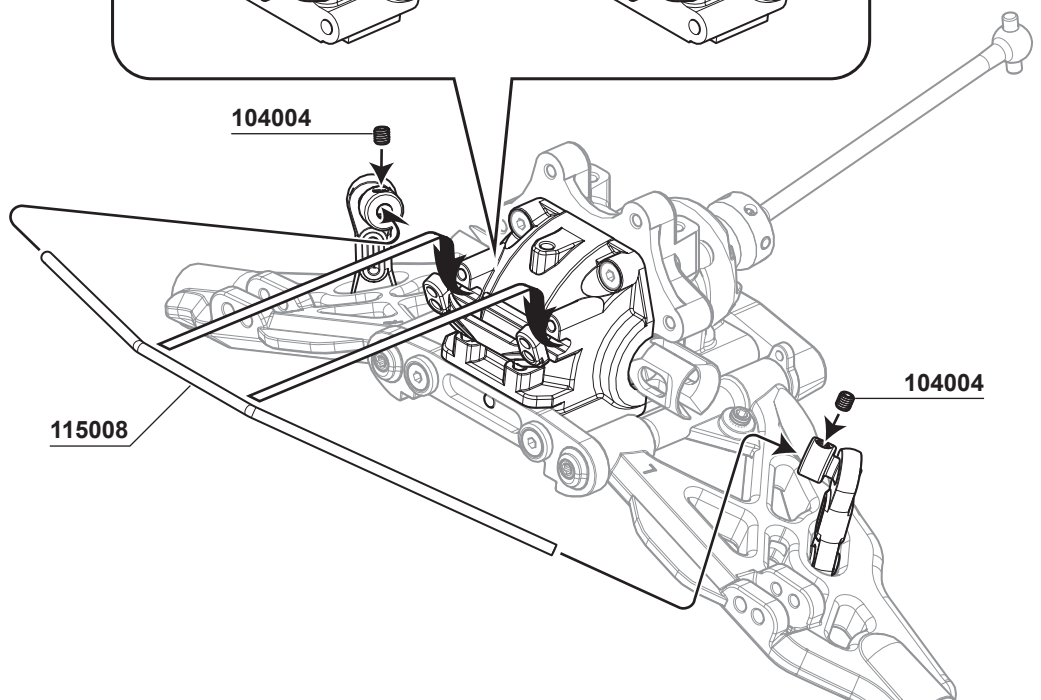
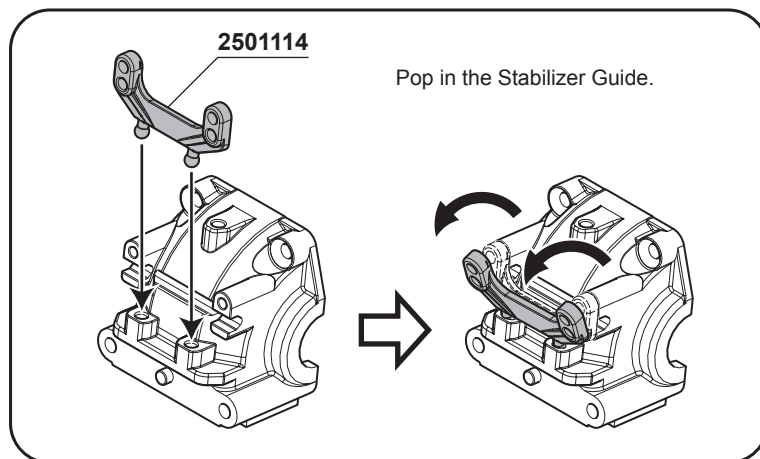


**BAG D****7****Rear**104001  
M5x4mm Set Screw x1106010  
M3x6mm Hex Socket OH/TP Screw x3108001  
M3x12mm FH/ST HEX Screw x4116006  
Ball Bearing 8x16x5mm x2101018  
SHIM 13x16x0.2mm x2**BAG M****8****R/L****x2****Right**106005  
M3x15mm Hex Socket OH/TP Screw x2104007  
M4x8mm Set Screw x2

330103  
Front/Rear Lower Arm HingPin x2



104004  
M3x3mm Set Screw x2



# BAG E

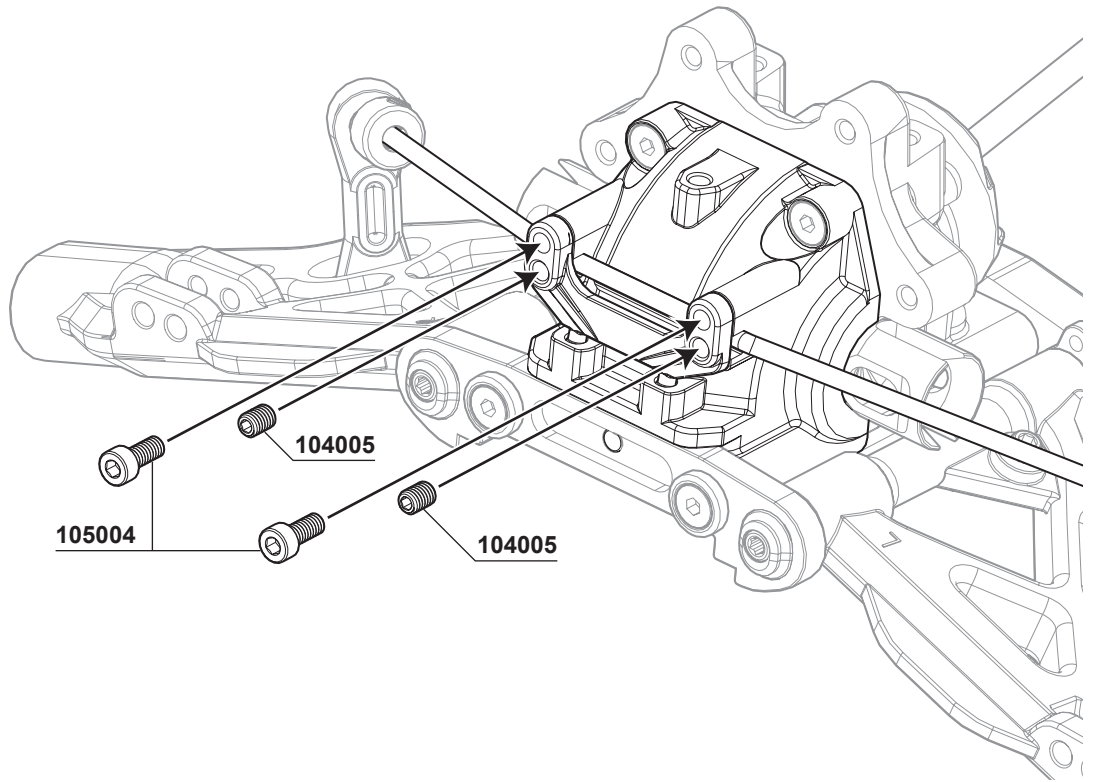
# 11



104005  
M3x4mm Set Screw x2



105004  
M2.6x6mm Cap Screw x2



# BAG M

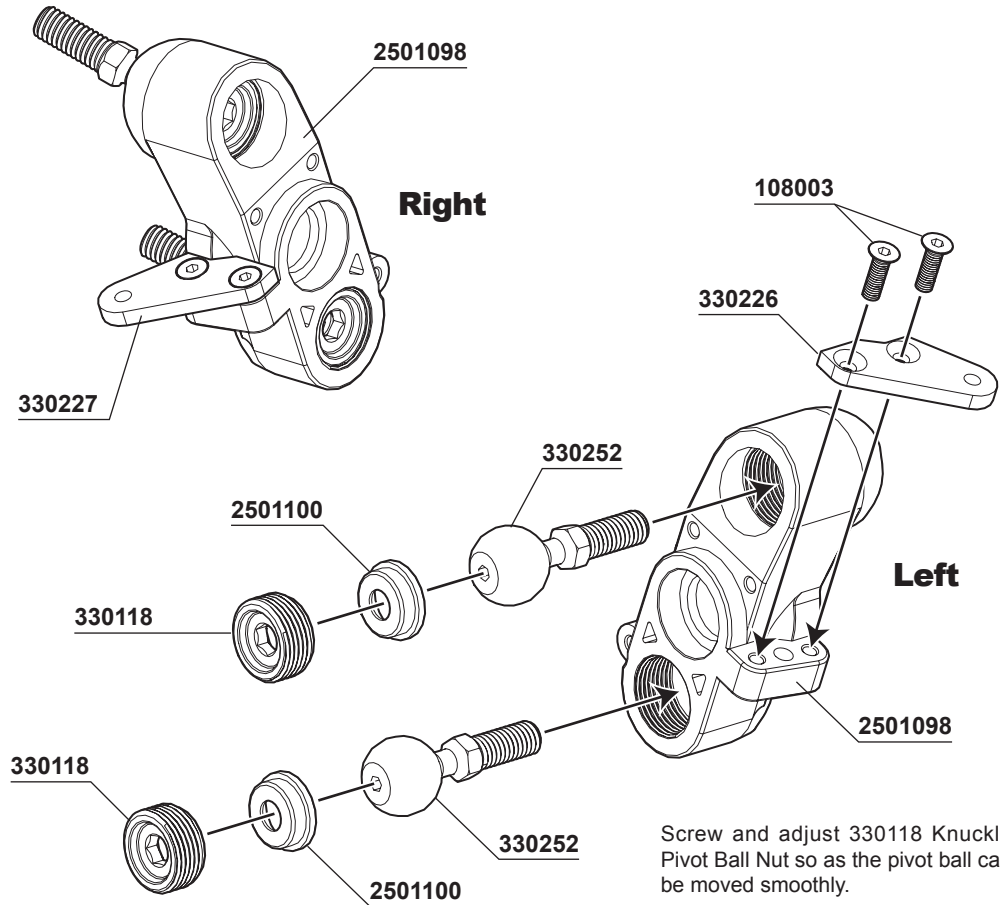
# 12



x2



108003  
M3x10mm FH/ST HEX Screw x4



Screw and adjust 330118 Knuckle Pivot Ball Nut so as the pivot ball can be moved smoothly.

# BAG E

## 13

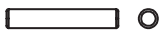
1  
2  
3

R L

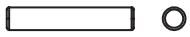
x2



104001  
M5x4mm Set Screw x2



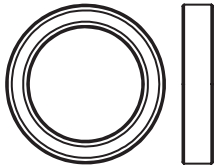
330111  
Pin M2.5x14.8mm x2



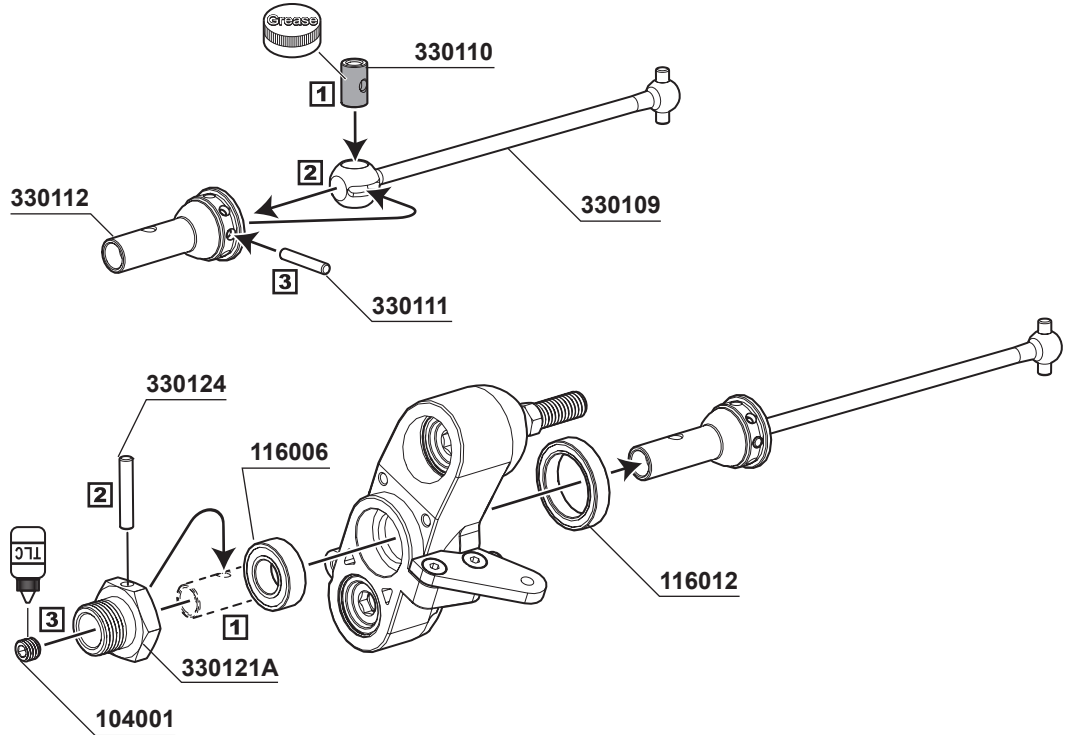
330124  
Pin M3.0x16.8mm x2



116006  
Ball Bearing 8x16x5mm x2



116012  
Ball Bearing 15x21x4mm x2



# BAG M

## 14



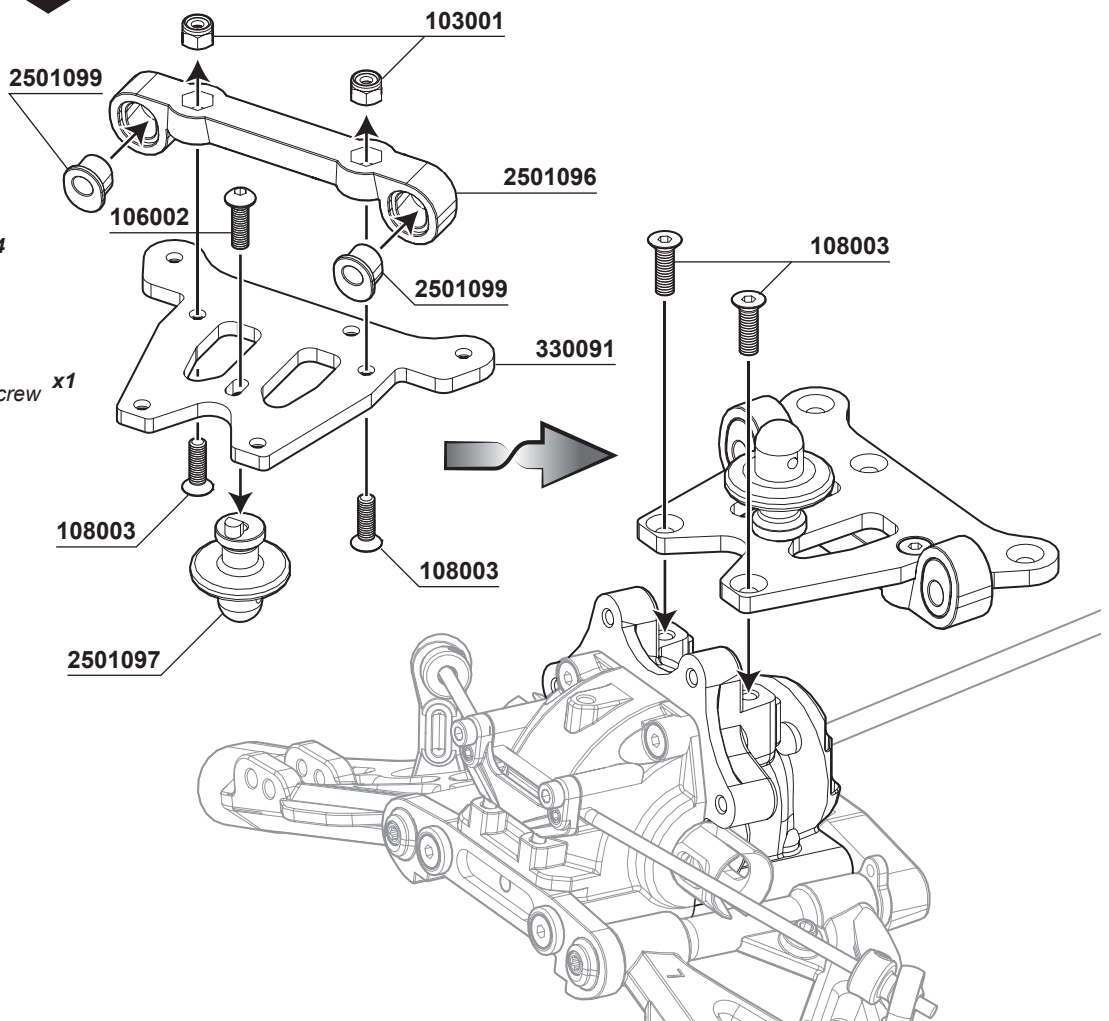
103001  
M3 Nut Lock x2



108003  
M3x10mm FH/ST HEX Screw x4



106002  
M3x10mm Hex Socket OH/TP Screw x1



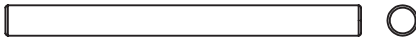
**BAG E**

**15**

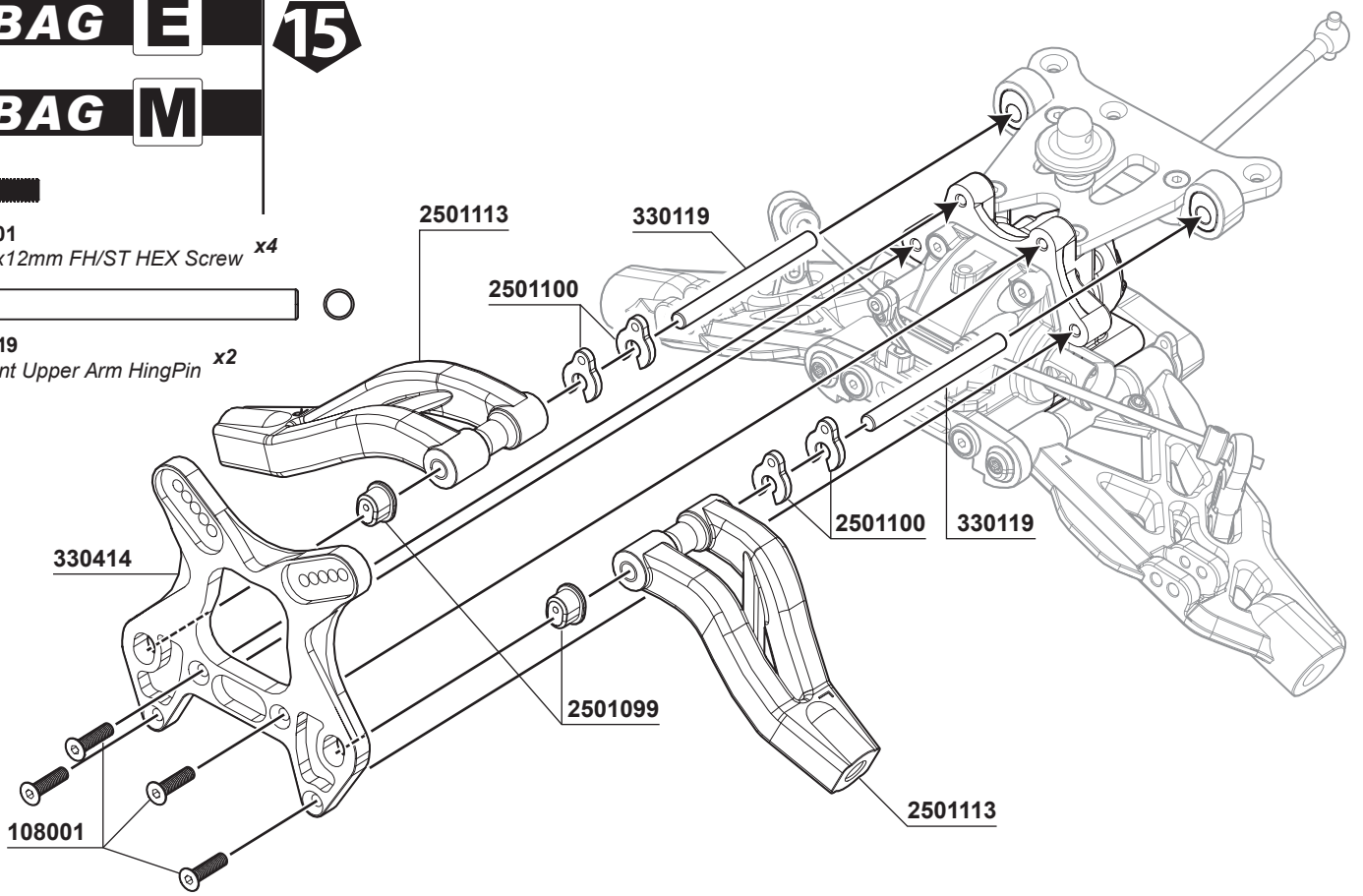
**BAG M**



**108001**  
M3x12mm FH/ST HEX Screw x4

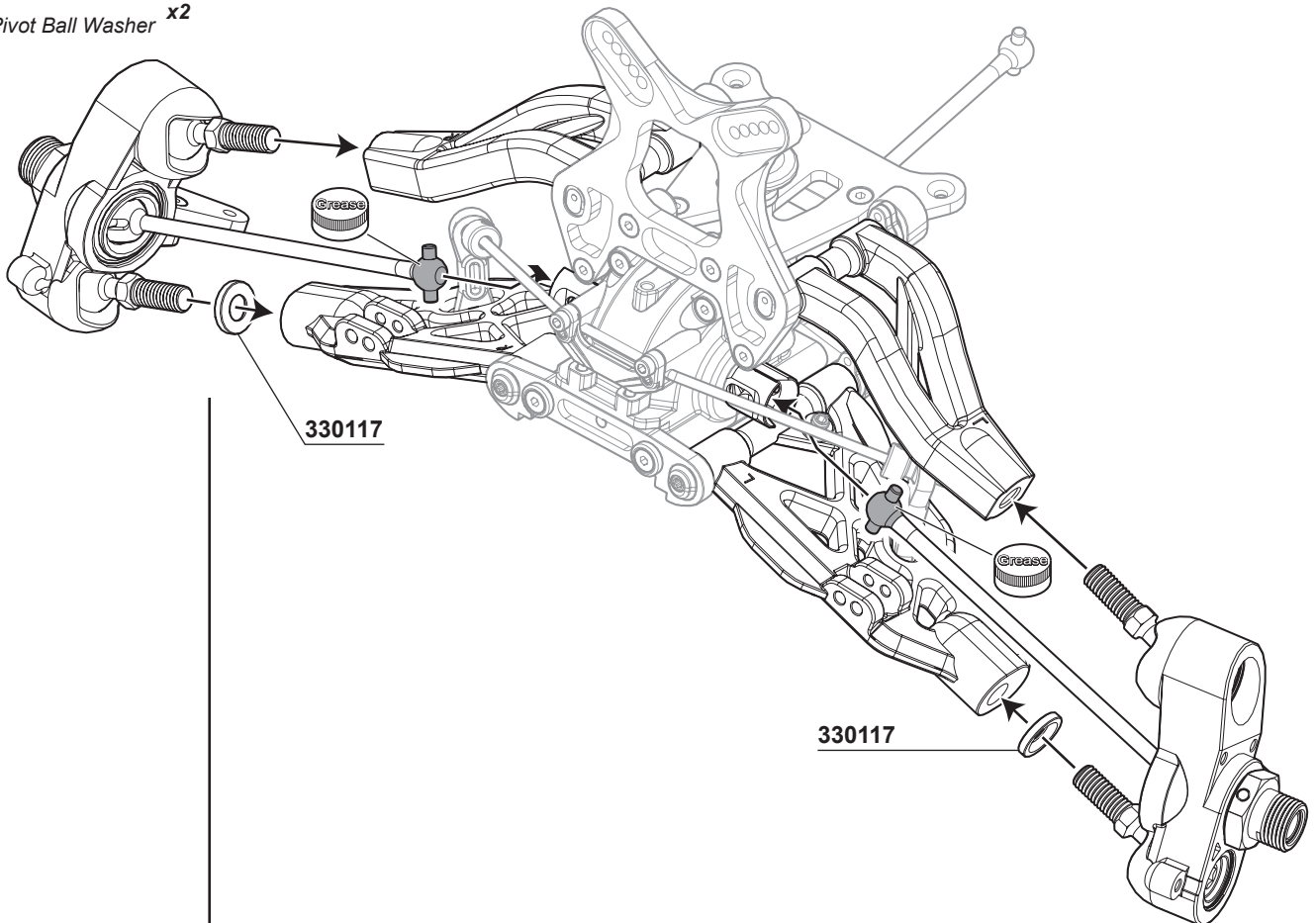


**330119**  
Front Upper Arm HingPin x2

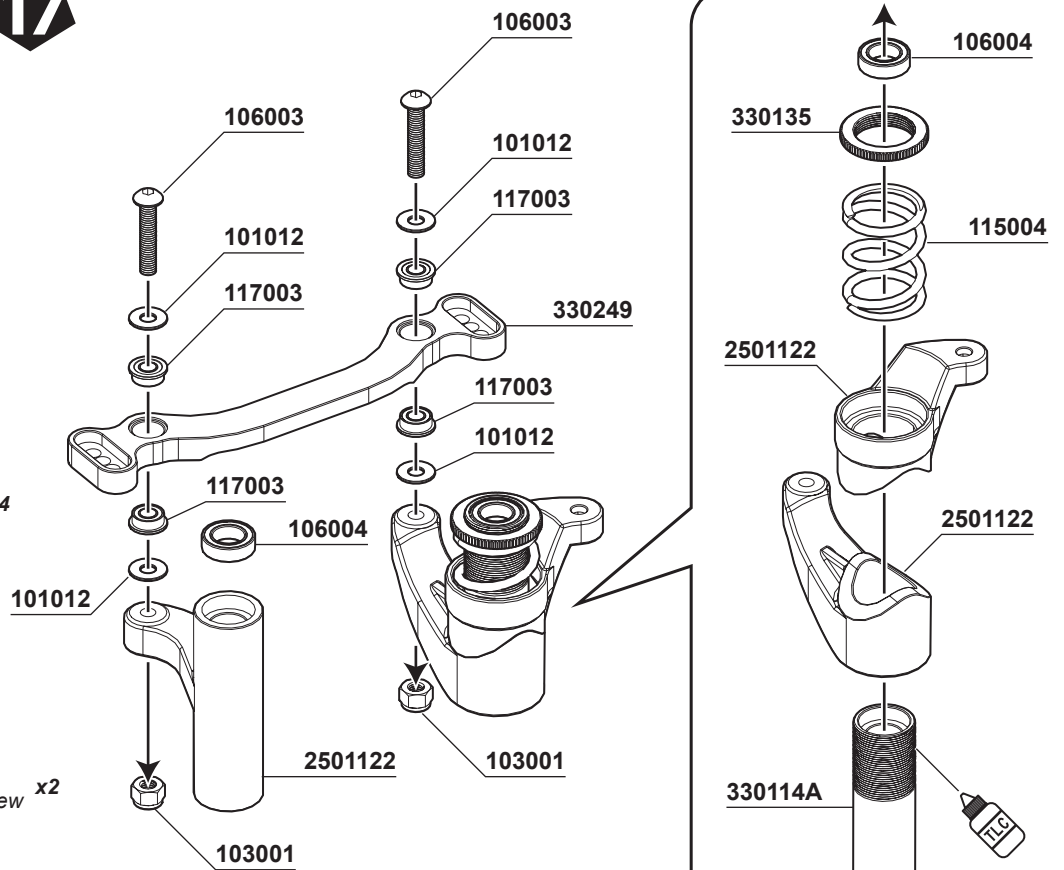
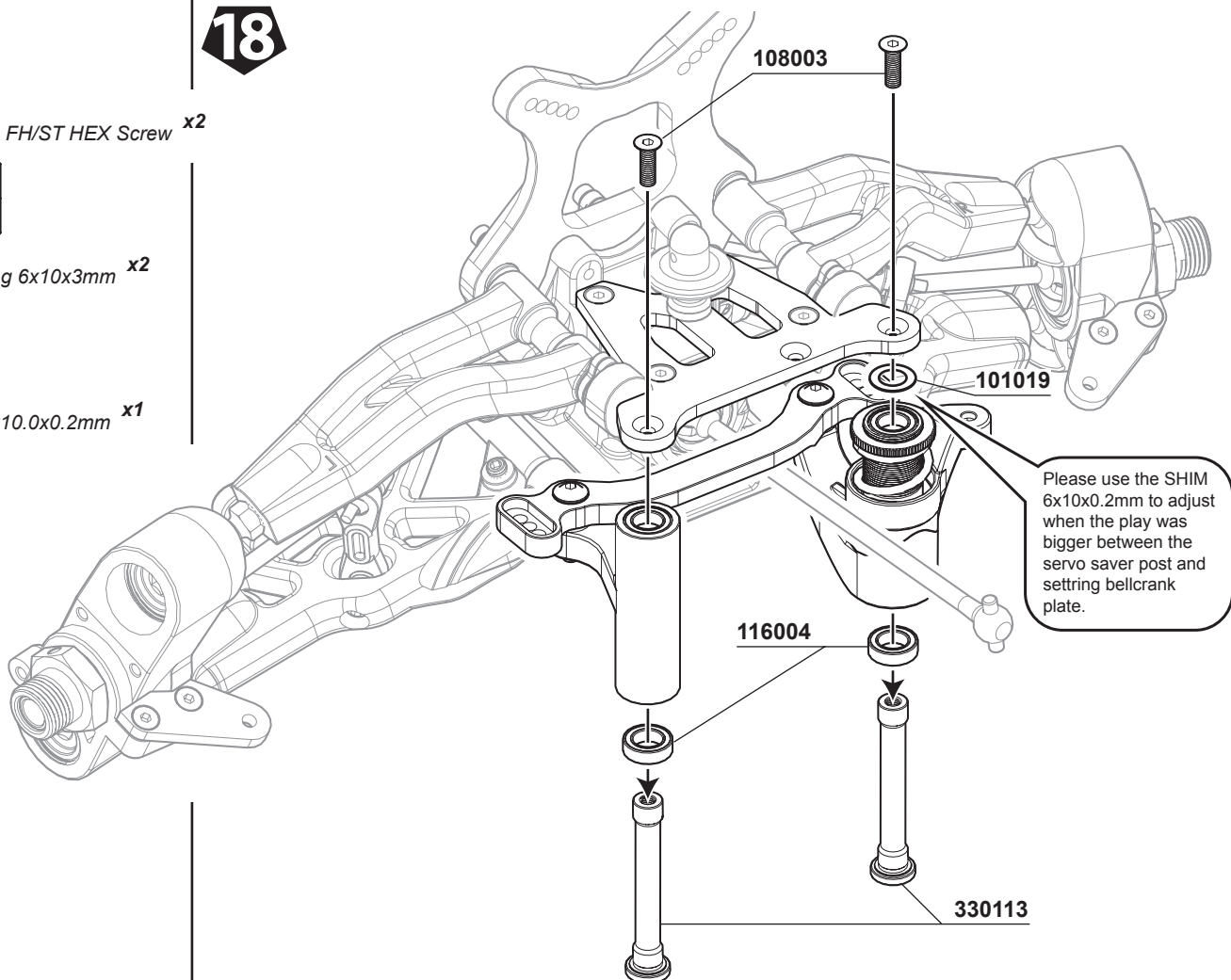


**330117**  
Knuckle Pivot Ball Washer x2

**16**





**103001**  
M3 Nut Lock x2**101012**  
M3x6xT0.6mm x4**117003**  
Flange Ball Bearing 3x6x2.5mm x4**116004**  
Ball Bearing 6x10x3mm x2**106003**  
M3x16mm Hex Socket OH/TP Screw x2**108003**  
M3x10mm FH/ST HEX Screw x2**116004**  
Ball Bearing 6x10x3mm x2**101019**  
SHIM 6.0x10.0x0.2mm x1

**BAG E**

**19**



**x2**

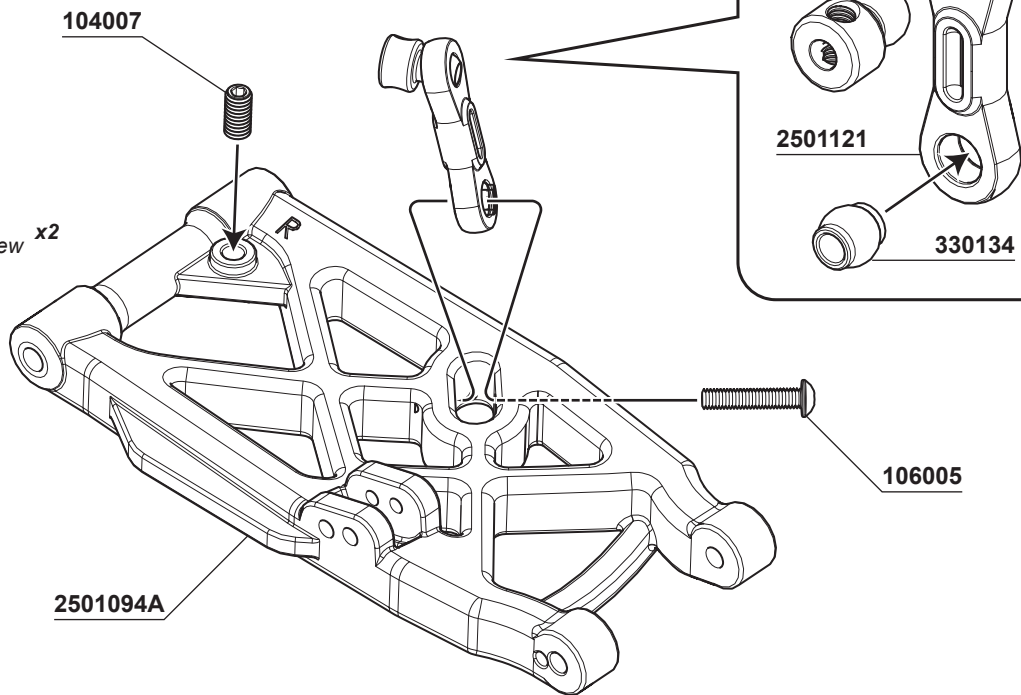
**BAG M**



**104007**  
M4x8mm Set Screw x2



**106005**  
M3x15mm Hex Socket OH/TP Screw x2



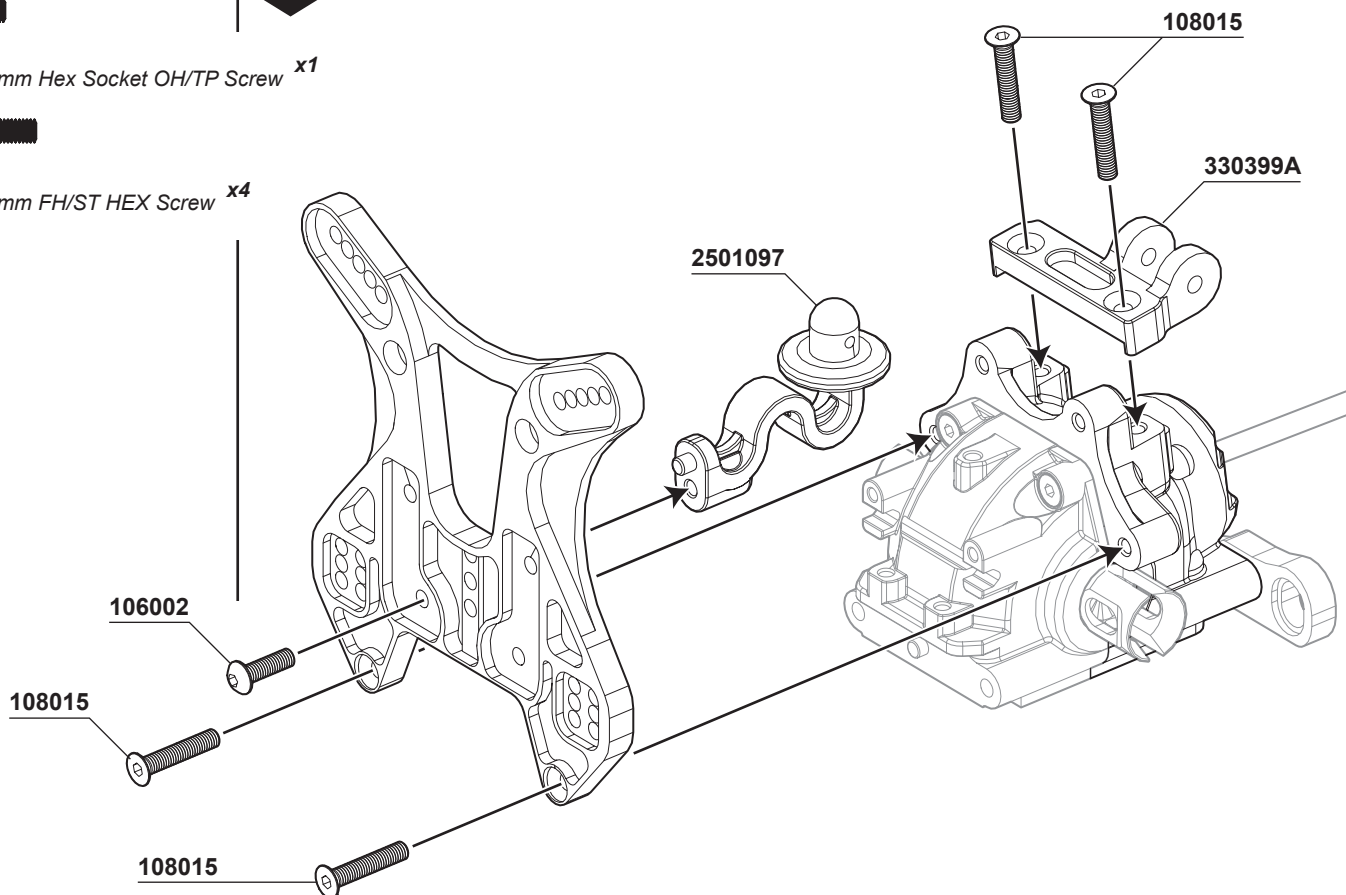
**20**



**106002**  
M3x10mm Hex Socket OH/TP Screw x1



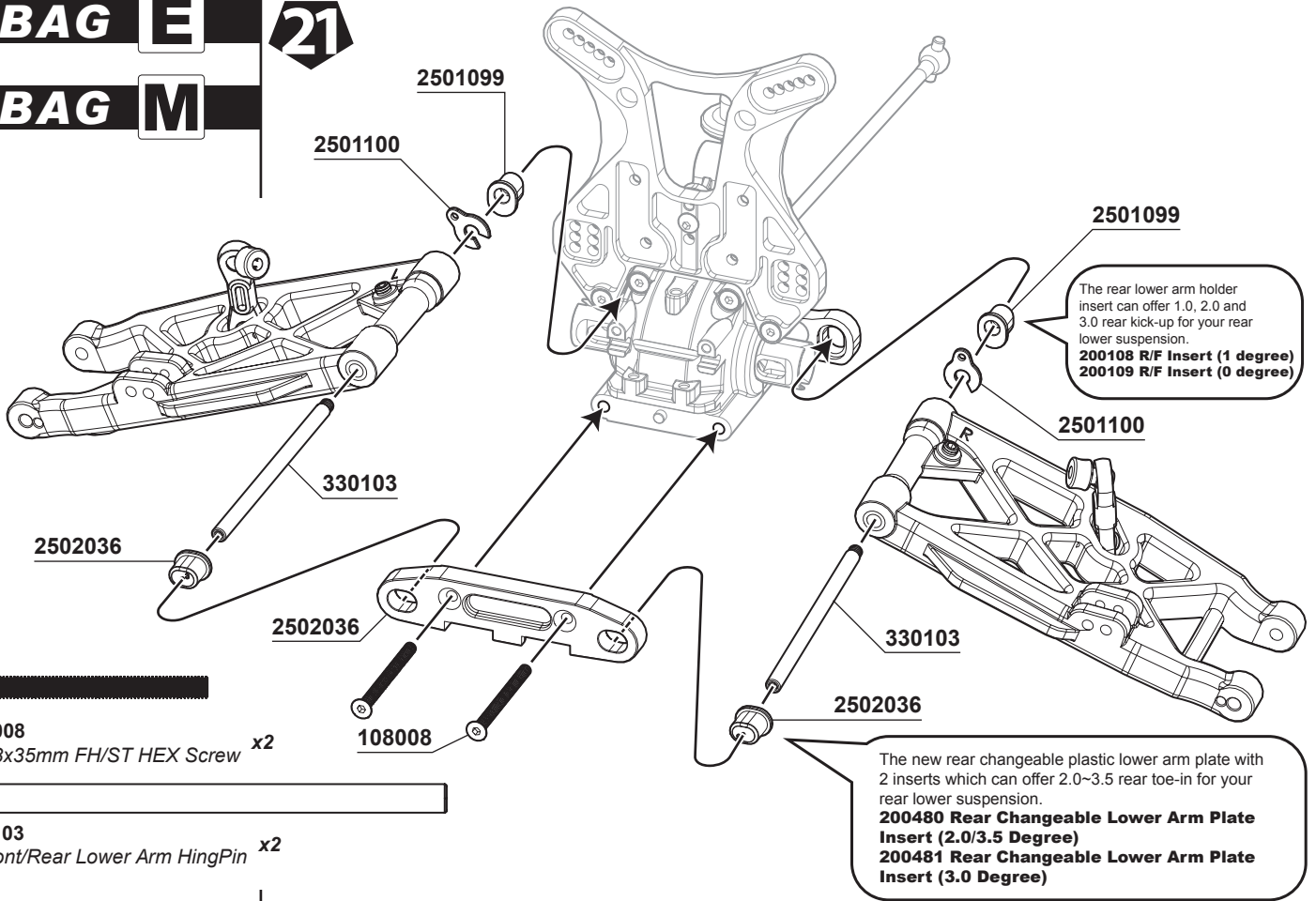
**108015**  
M3x16mm FH/ST HEX Screw x4



**BAG E**



**21**

**BAG M**



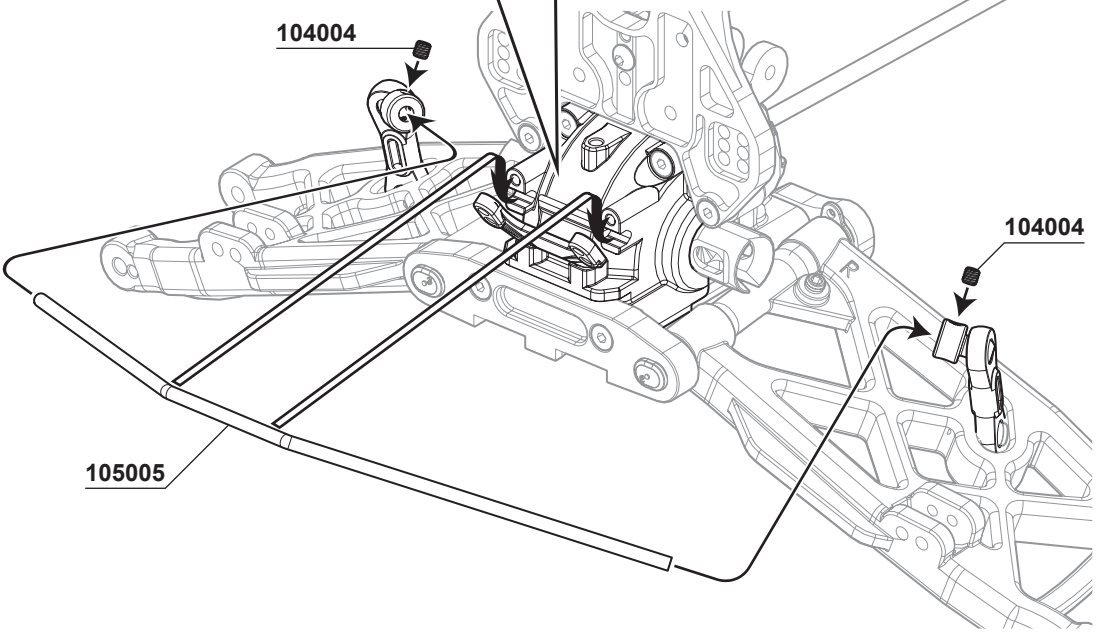
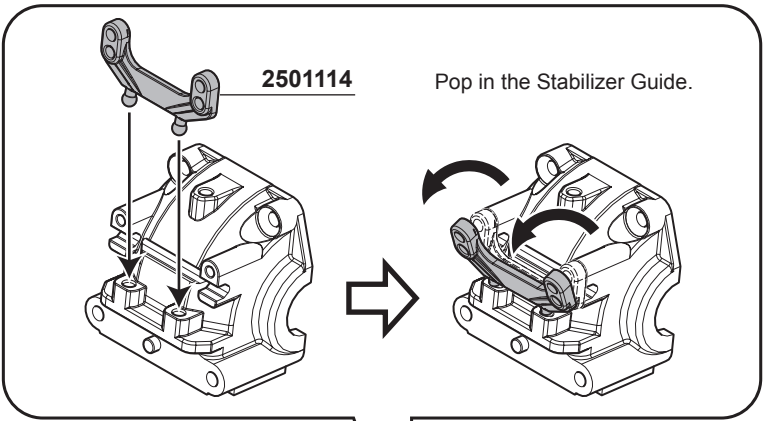
The rear lower arm holder insert can offer 1.0, 2.0 and 3.0 rear kick-up for your rear lower suspension.  
**200108 R/F Insert (1 degree)**  
**200109 R/F Insert (0 degree)**

The new rear changeable plastic lower arm plate with 2 inserts which can offer 2.0~3.5 rear toe-in for your rear lower suspension.  
**200480 Rear Changeable Lower Arm Plate Insert (2.0/3.5 Degree)**  
**200481 Rear Changeable Lower Arm Plate Insert (3.0 Degree)**

-  **108008**  
M3x35mm FH/ST HEX Screw x2
-  **330103**  
Front/Rear Lower Arm HingPin x2

**22**

-  **104004**  
M3x3mm Set Screw x2



**BAG E**

**23**

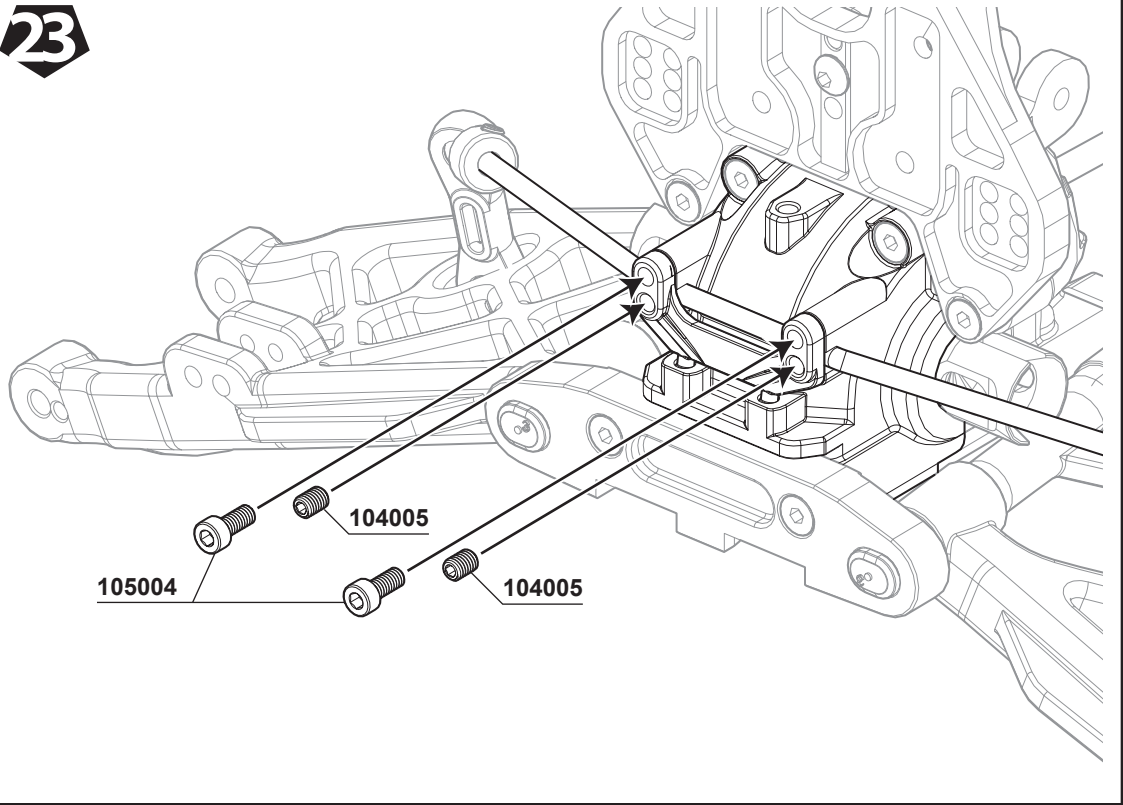
**BAG M**



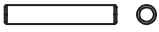
**104005**  
M3x4mm Set Screw x2



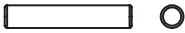
**105004**  
M2.6x6mm Cap Screw x2



**104001**  
M5x4mm Set Screw x2



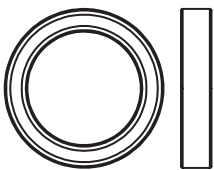
**330111**  
Pin M2.5x14.8mm x2



**330124**  
Pin M3.0x16.8mm x2

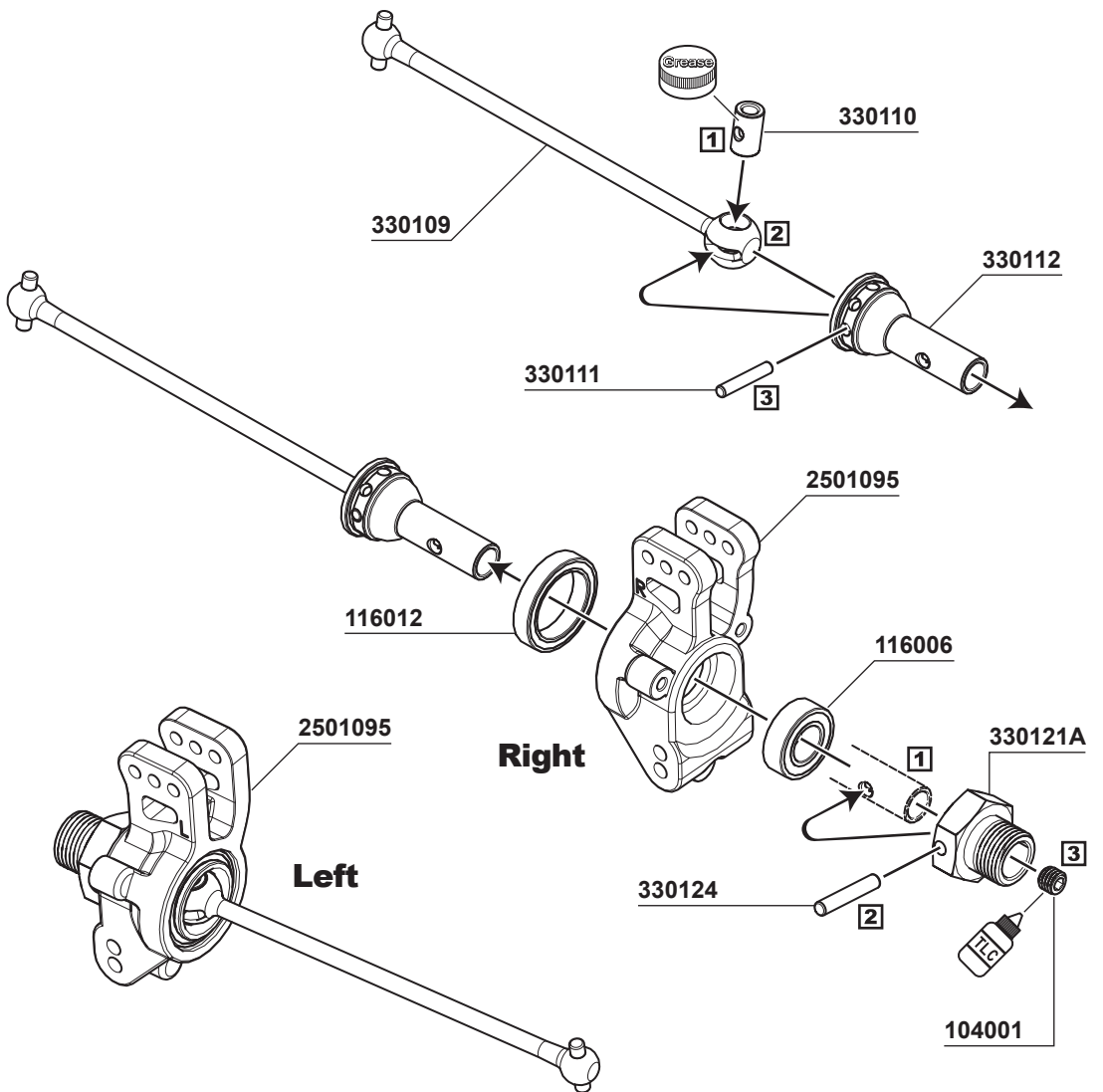


**116006**  
Ball Bearing 8x16x5mm x2



**116012**  
Ball Bearing 15x21x4mm x2

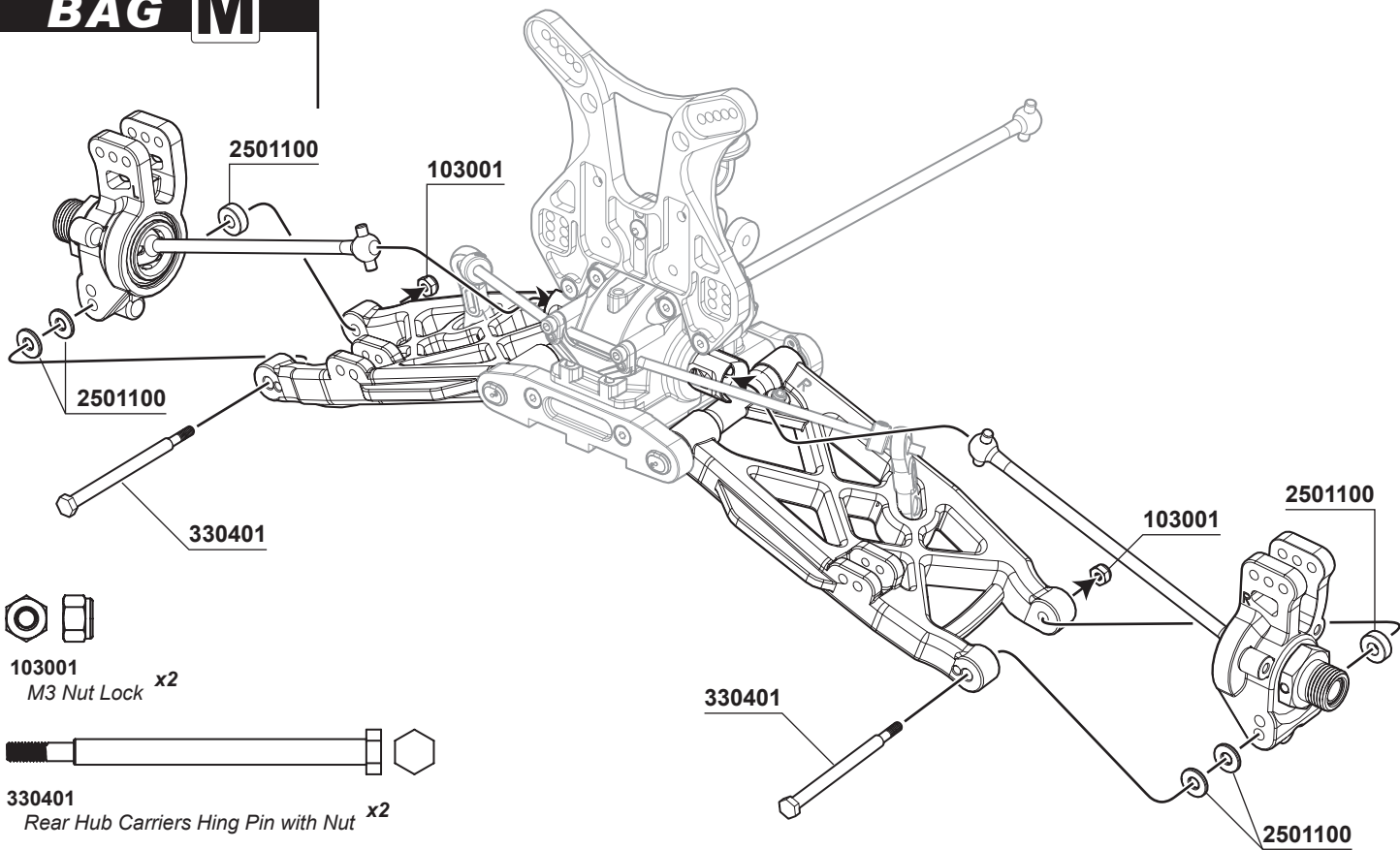
**24**



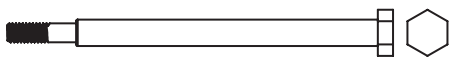
**BAG E**

**25**

**BAG M**



103001  
M3 Nut Lock x2



330401  
Rear Hub Carriers Hing Pin with Nut x2

**BAG E**

**26**

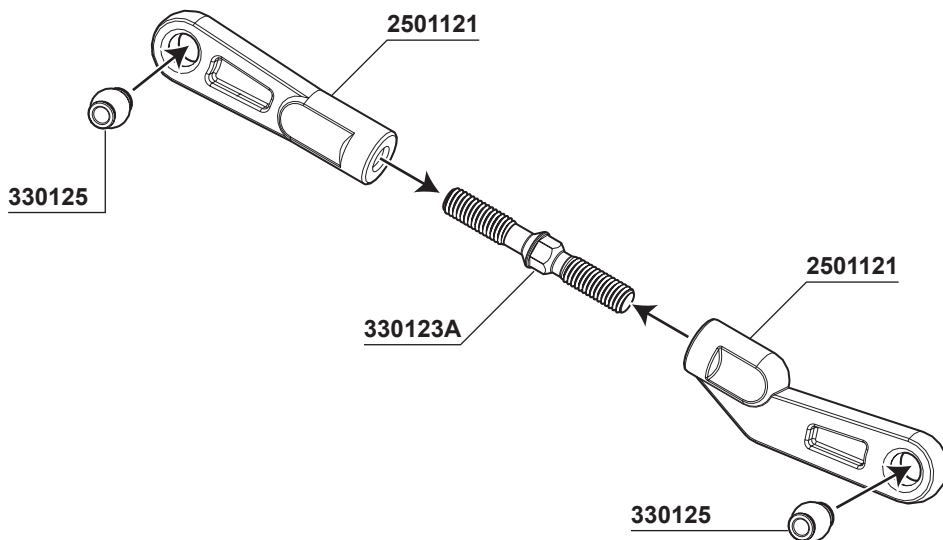


**x2**

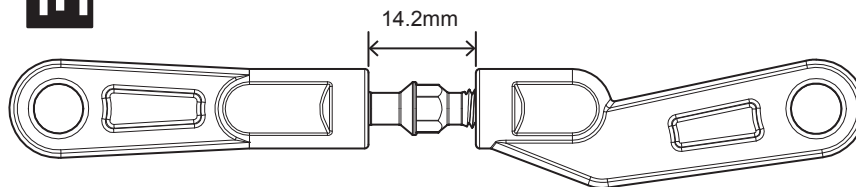
**BAG M1**



330123A  
Rear Upper Sus. Arm Turnbuckles x2



**1:1**



# BAG E

## 27



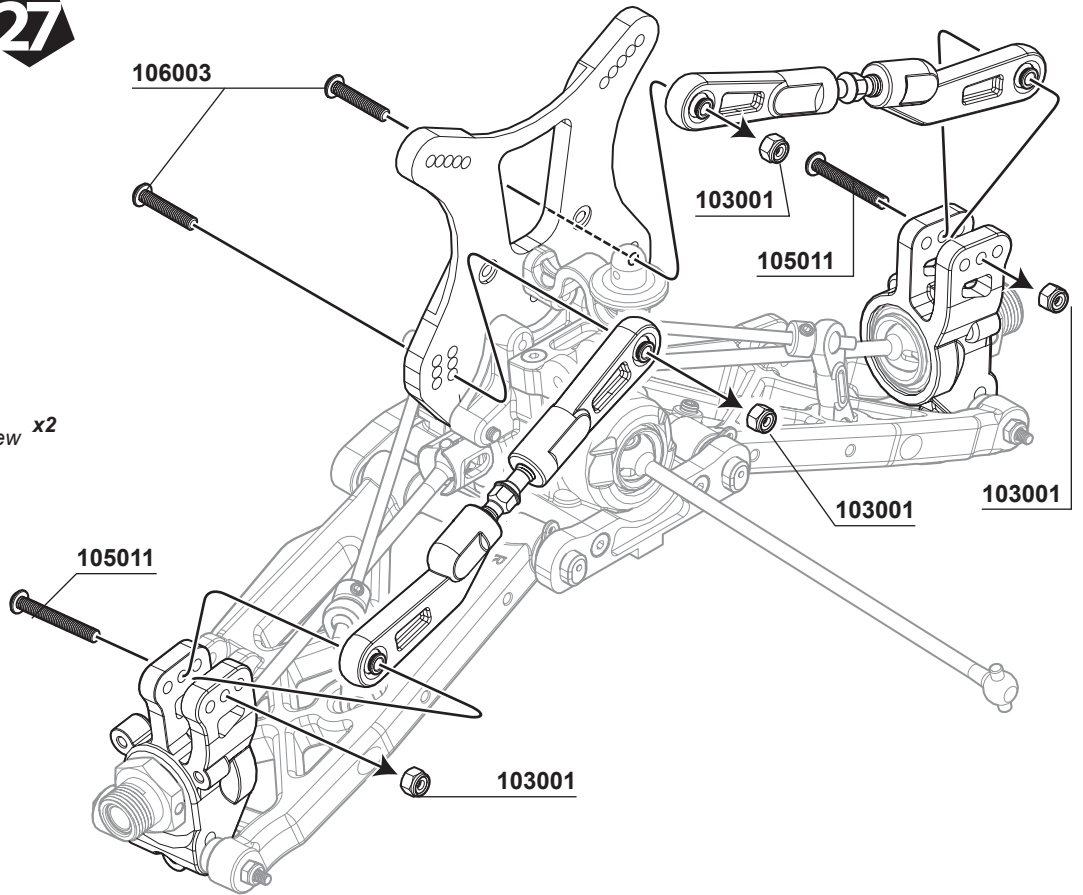
103001  
M3 Nut Lock x4



105011  
M3x23mm Cap Screw x2



106003  
M3x16mm Hex Socket OH/TP Screw x2

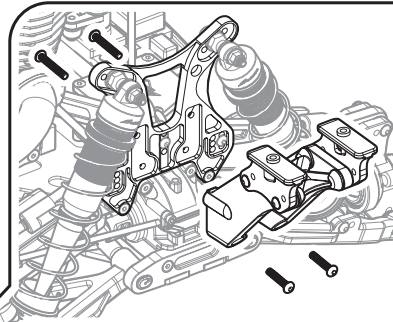


# BAG G

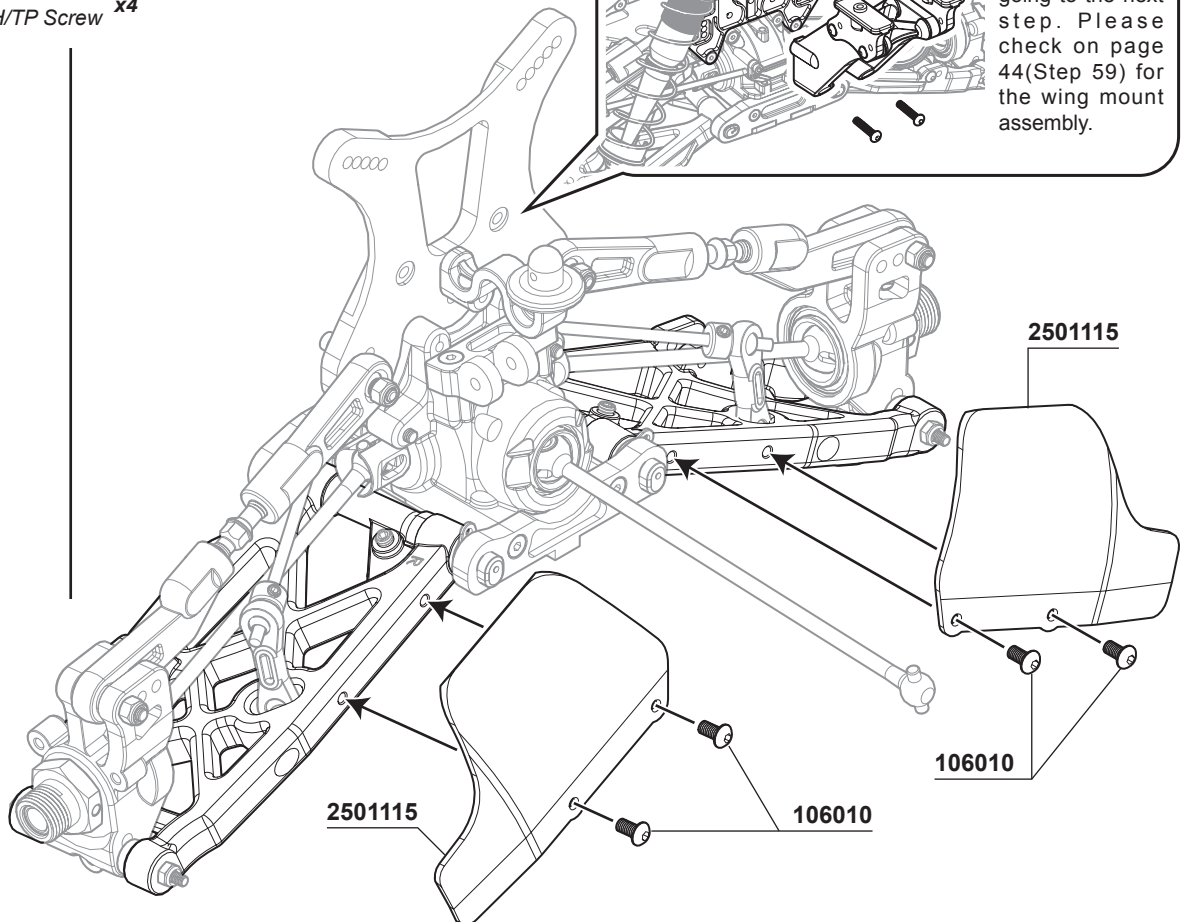
## 28



106010  
M3x6mm Hex Socket OH/TP Screw x4



Our suggestion is to assemble the rear wing mount system before going to the next step. Please check on page 44(Step 59) for the wing mount assembly.





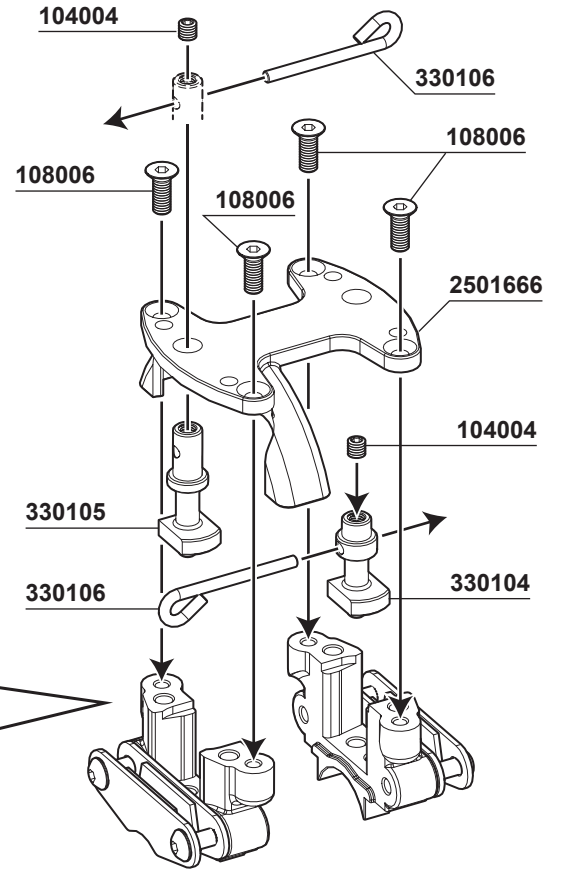
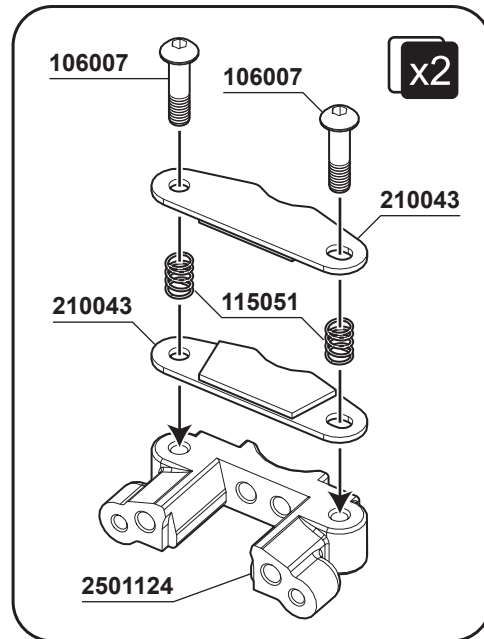
106007  
M3x12mm Hex Socket OH/TP Screw(HT) x4



104004  
M3x3mm Set Screw x2



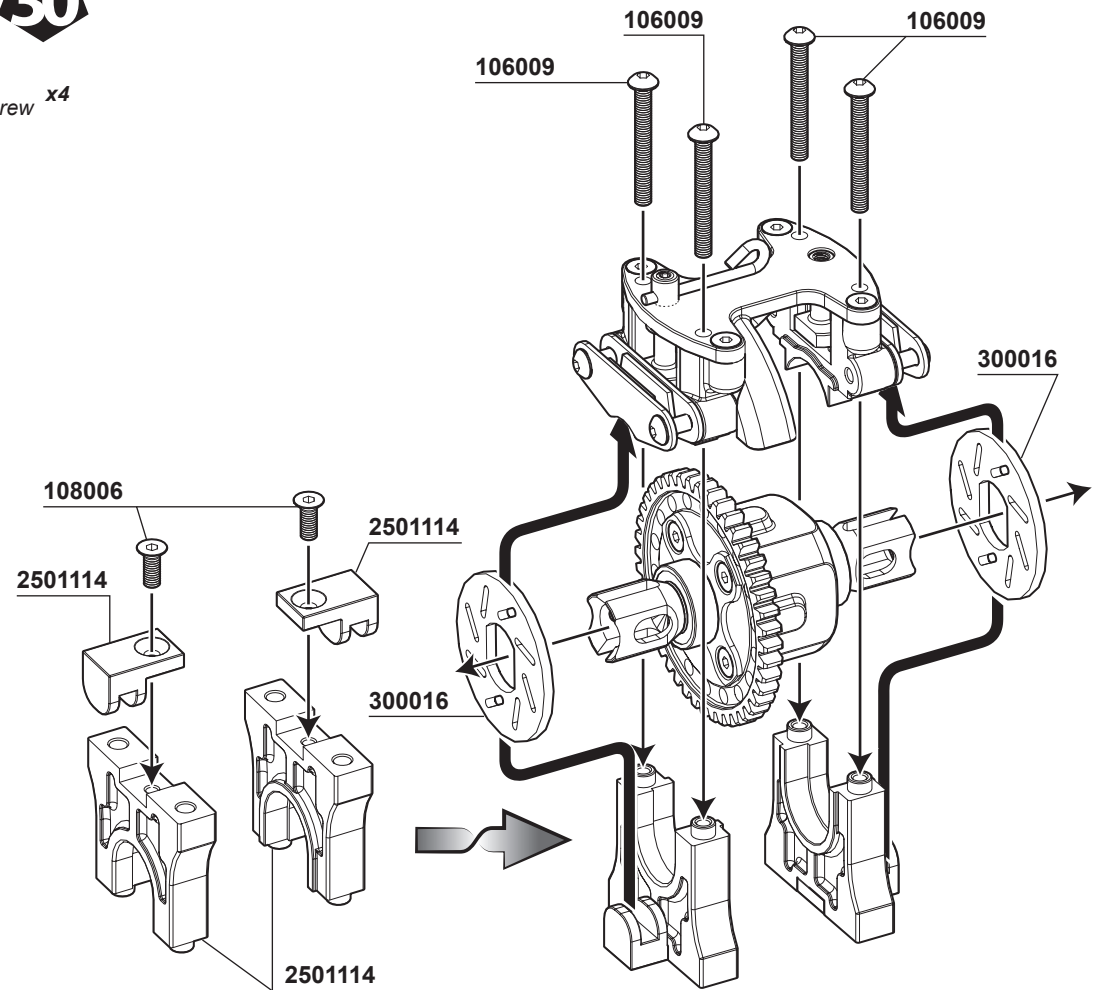
108006  
M3x8mm FH/ST HEX Screw x4

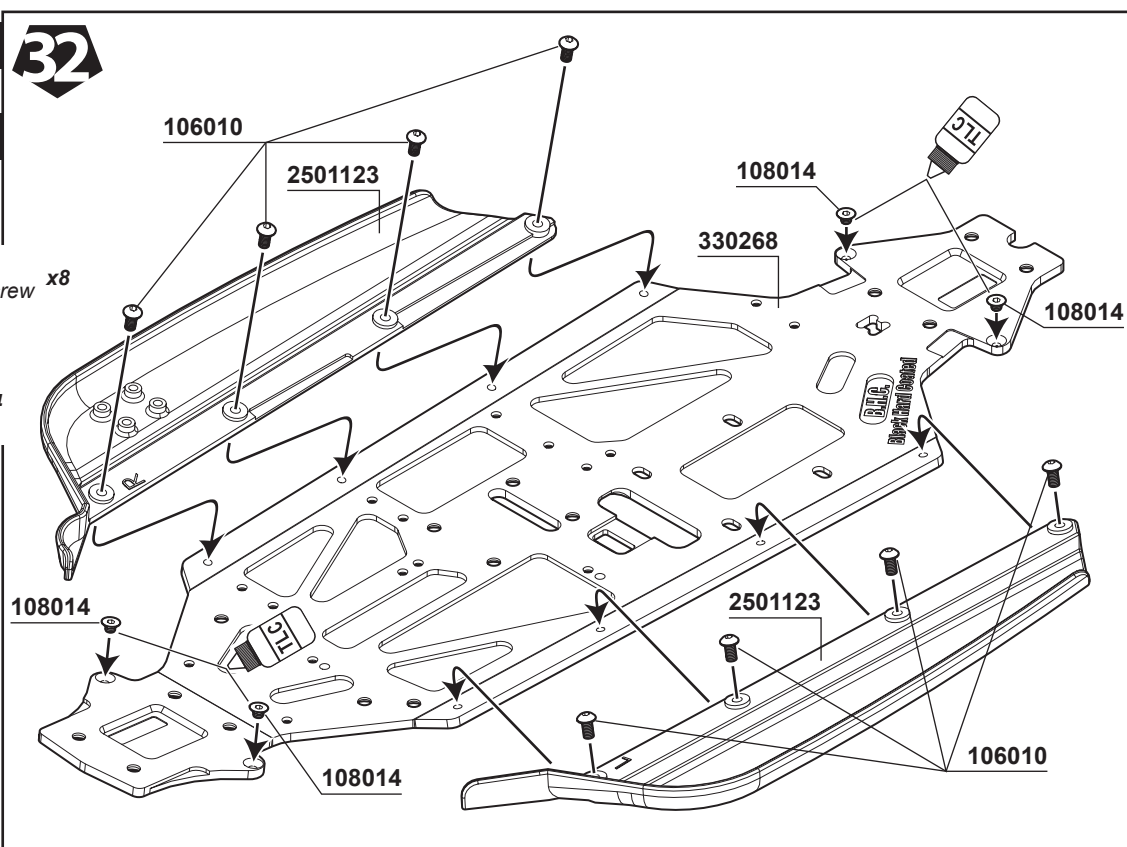
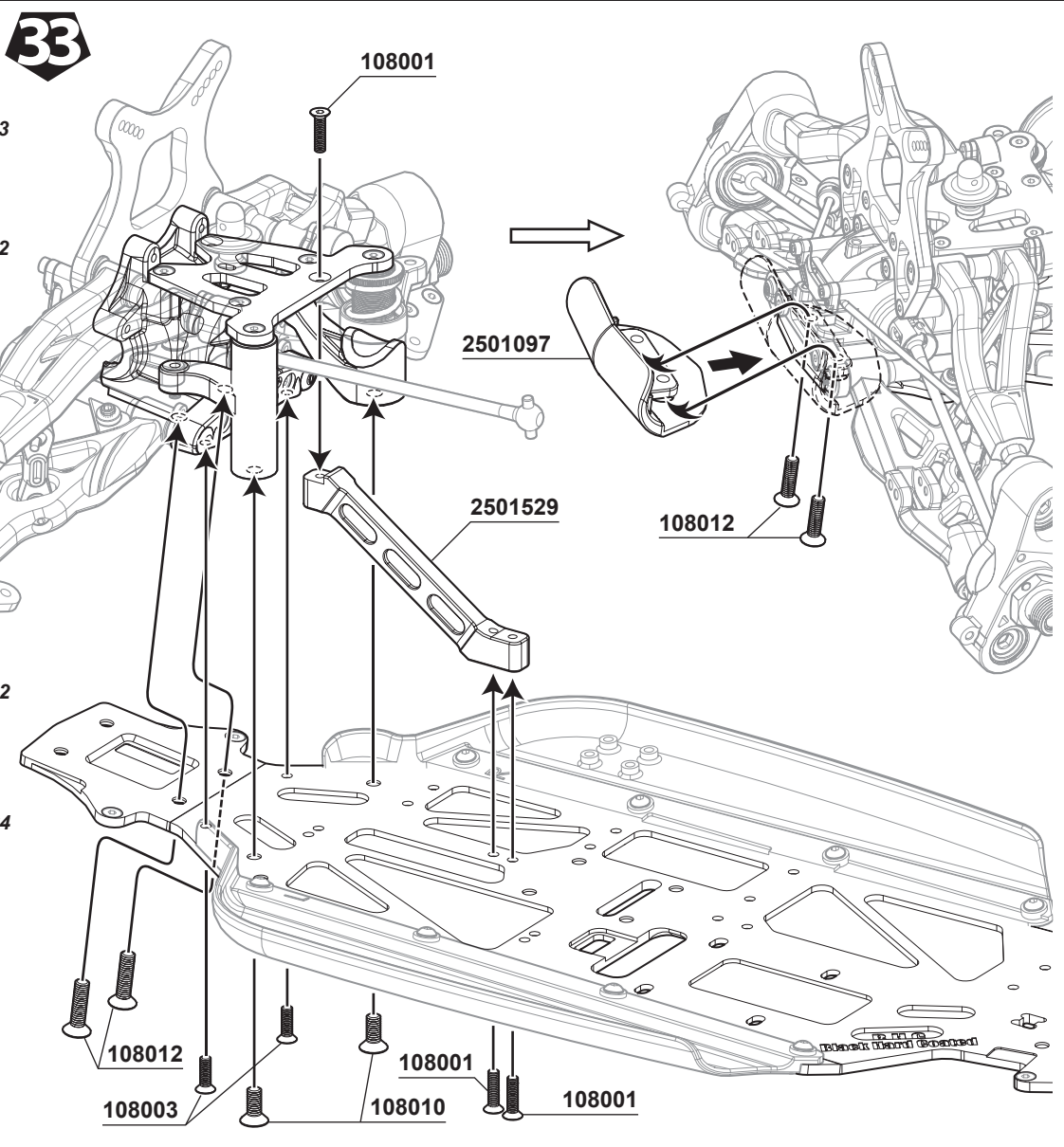


106009  
M3x25mm Hex Socket OH/TP Screw x4

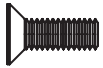


108006  
M3x8mm FH/ST HEX Screw x2



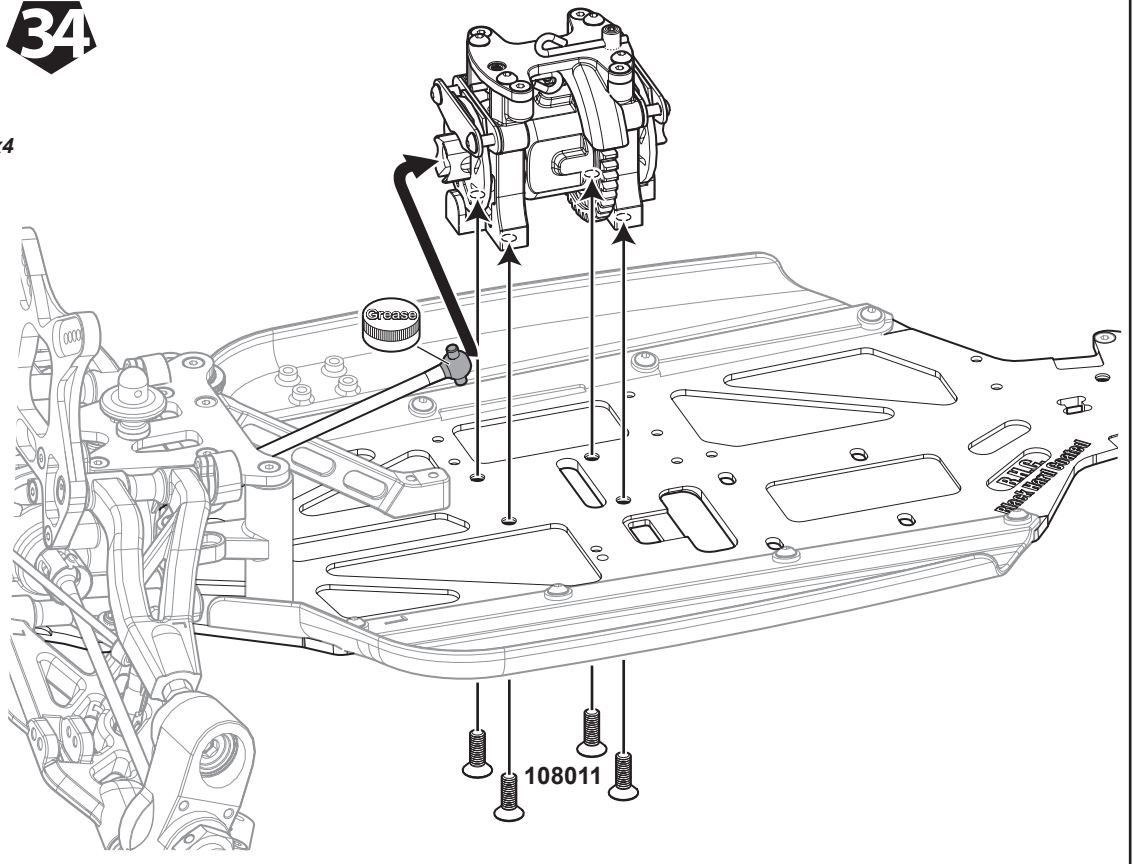
**BAG F****32****BAG M 1****106010**  
M3x6mm Hex Socket OH/TP Screw x8**108014**  
M3x3mm FH/ST HEX Screw x4**108001**  
M3x12mm FH/ST HEX Screw x3**108003**  
M3x10mm FH/ST HEX Screw x2**108010**  
M4x10mm FH/ST HEX Screw x2**108012**  
M4x16mm FH/ST HEX Screw x4**S350**  
**EVO****32****SWORX**





**108011**  
M4x12mm FH/ST HEX Screw **x4**

**34**



**108001**  
M3x12mm FH/ST HEX Screw **x2**

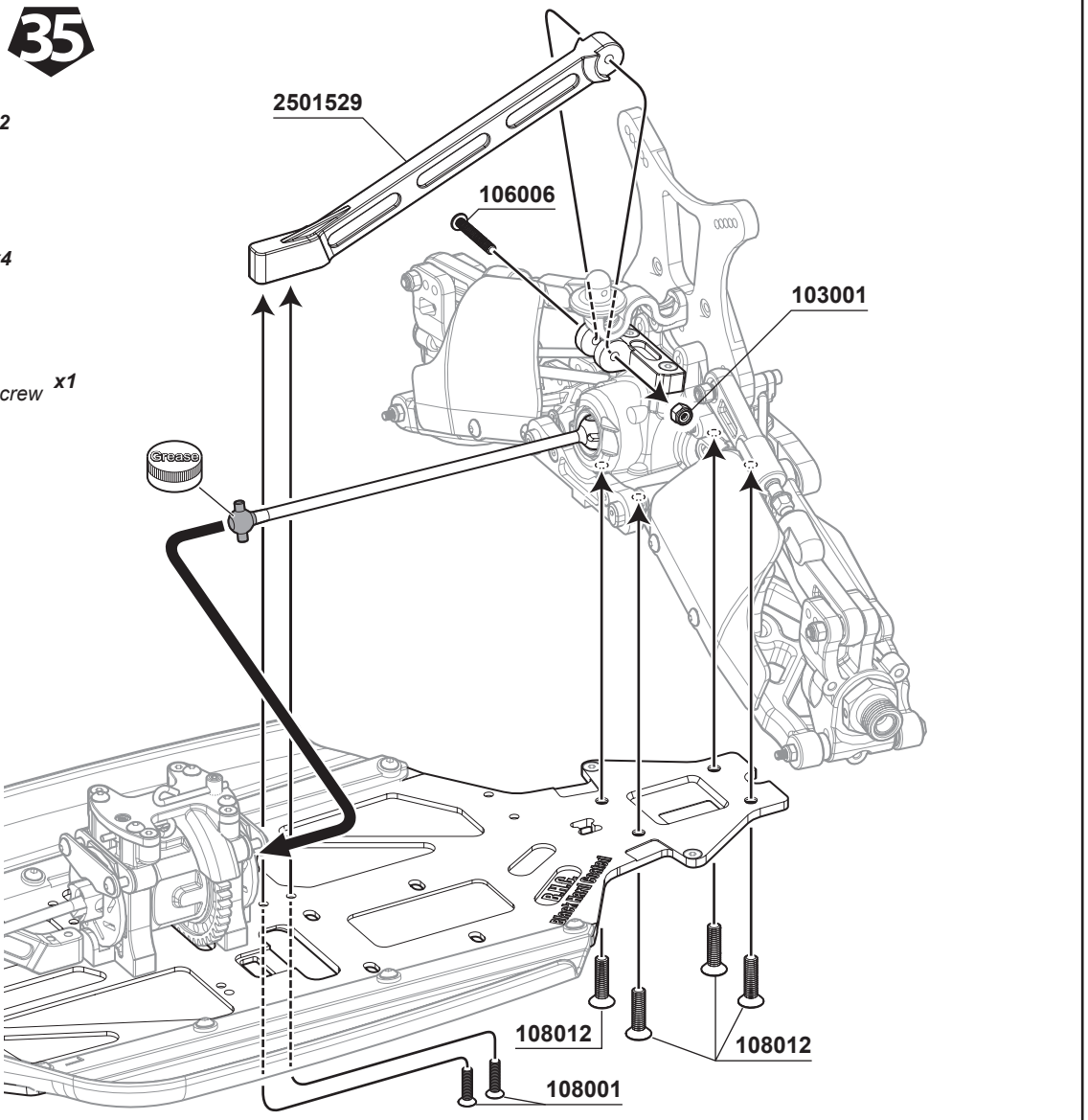


**108012**  
M4x16mm FH/ST HEX Screw **x4**



**106006**  
M3x20mm Hex Socket OH/TP Screw **x1**

**35**



**BAG E**

**36**

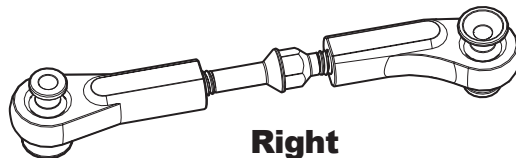


**x2**

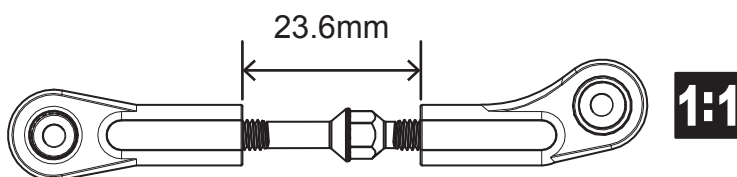
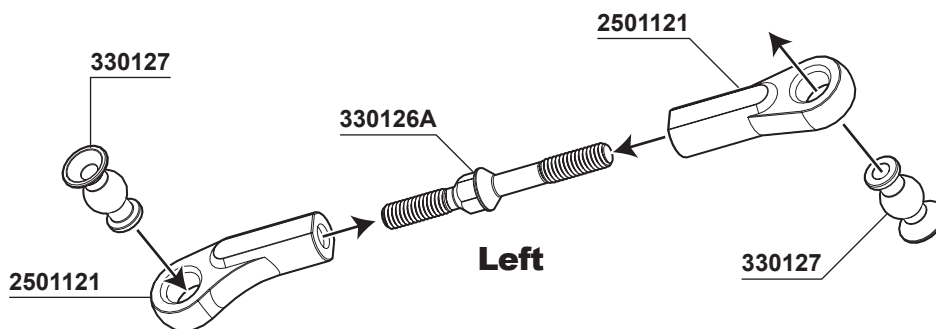
**BAG M1**



**330126A**  
Steering Turnbuckle **x2**



**Right**

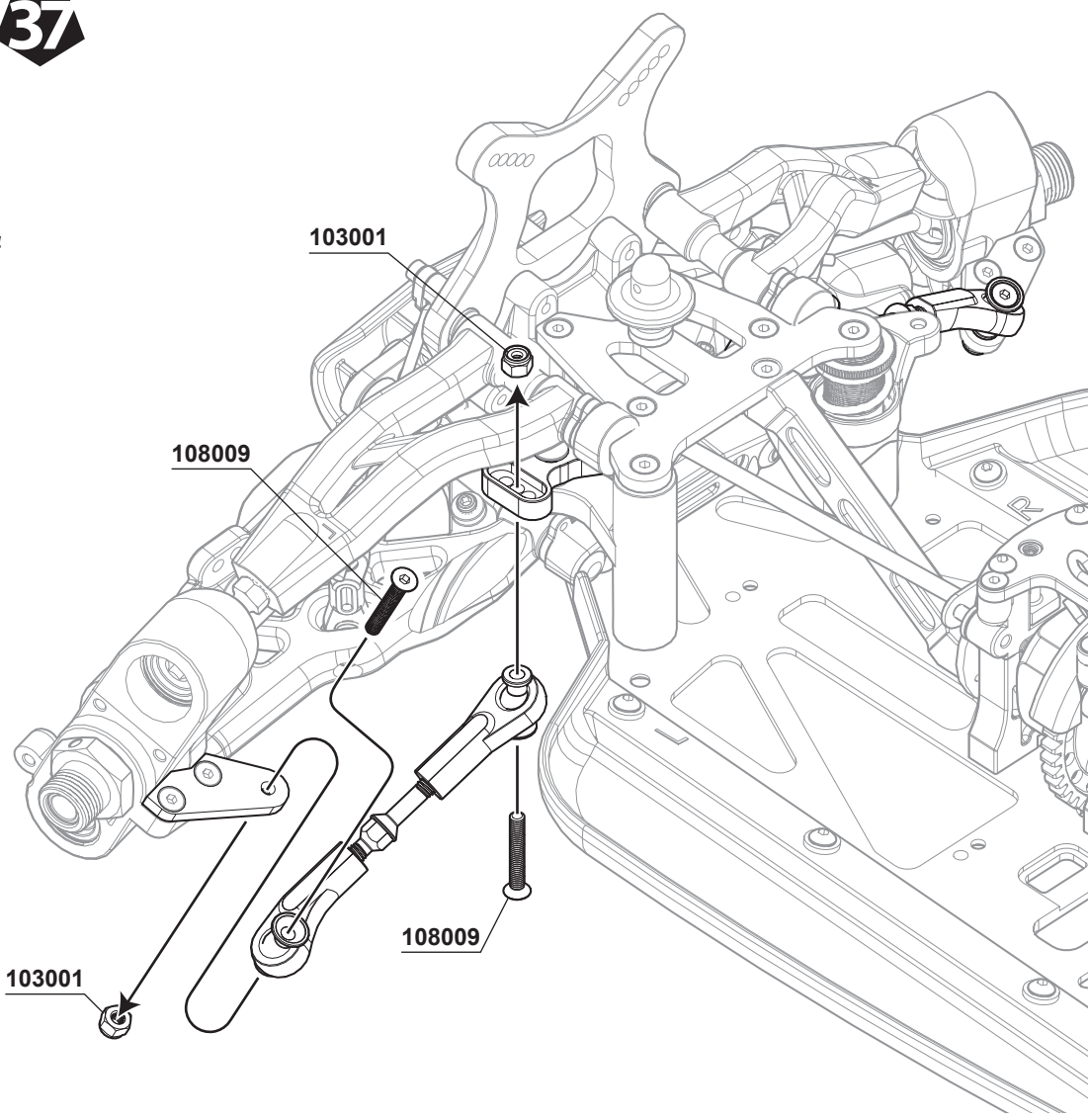


**103001**  
M3 Nut Lock **x4**



**108009**  
M3x20mm FH/ST HEX Screw **x4**

**37**



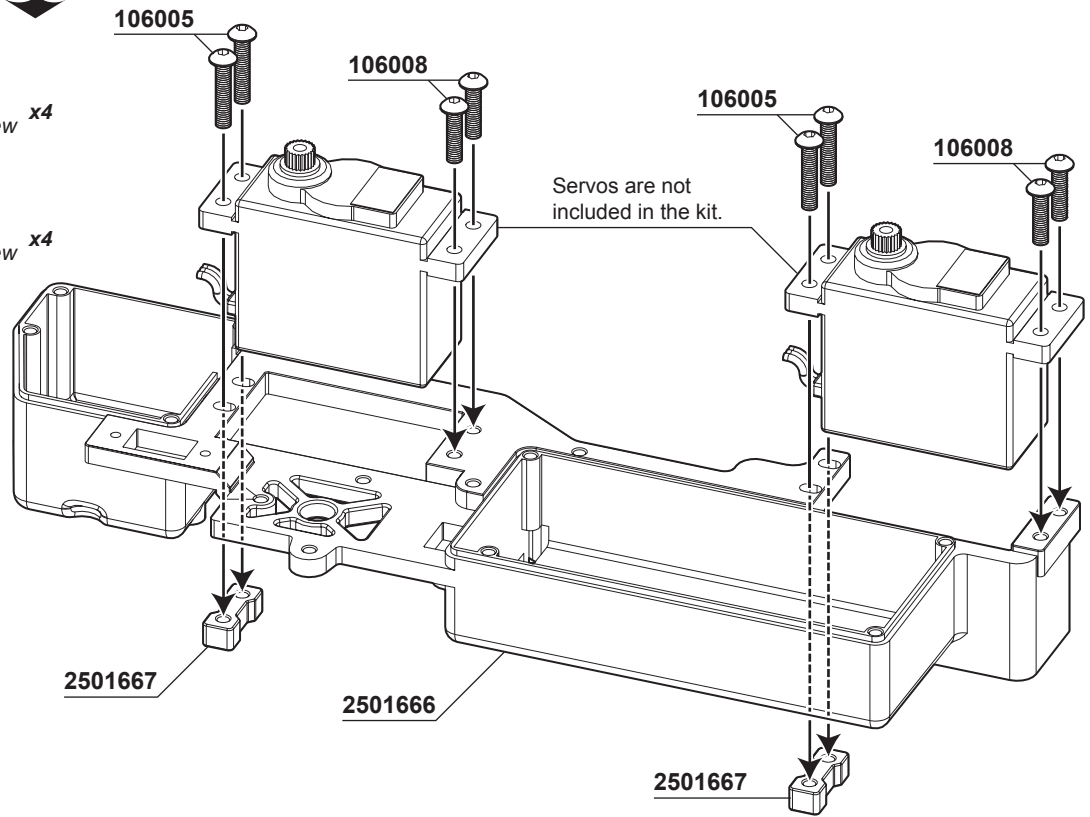
# BAG M2 38



**106008**  
M3x12mm Hex Scket OH/TP Screw x4



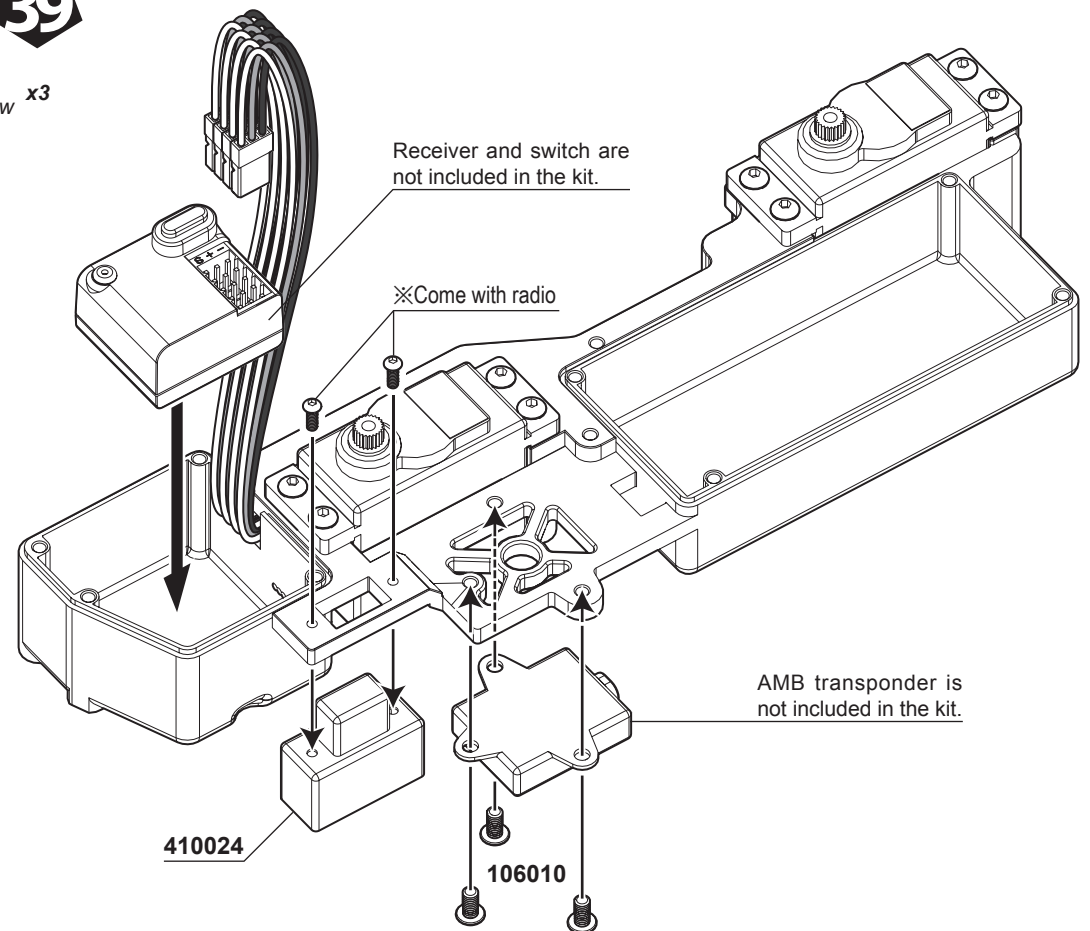
**106005**  
M3x15mm Hex Scket OH/TP Screw x4



# 39



**106010**  
M3x6mm Hex Socket OH/TP Screw x3



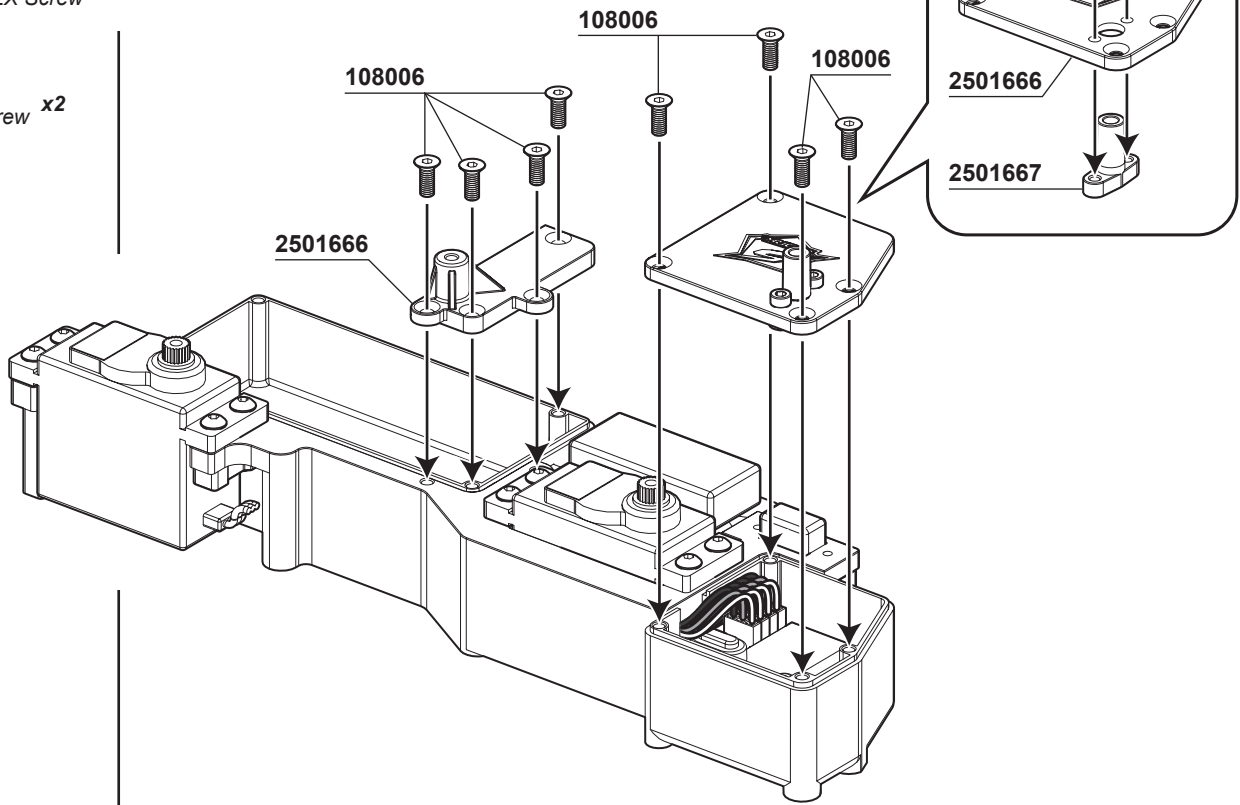
# BAG M 2 40



108006  
M3x8mm FH/ST HEX Screw x8



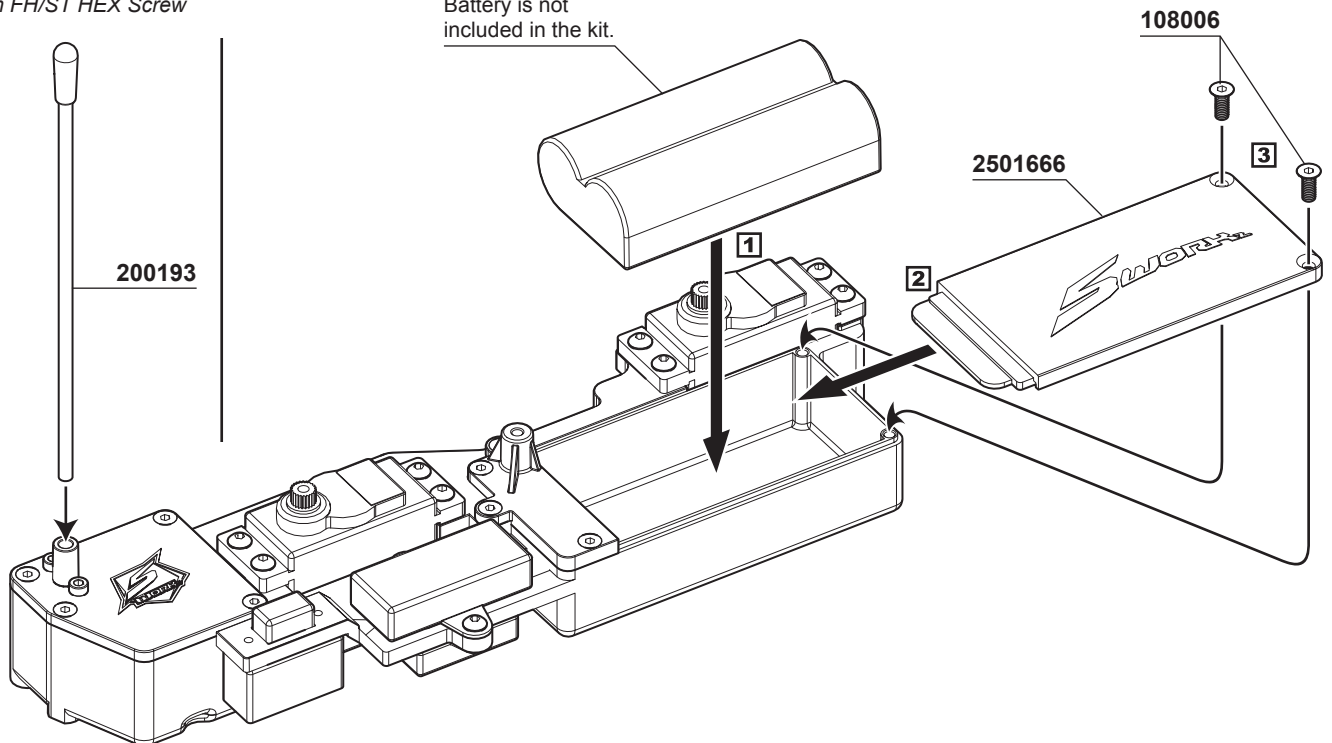
105004  
M2.6x6mm Cap Screw x2



108006  
M3x8mm FH/ST HEX Screw x2

## 41

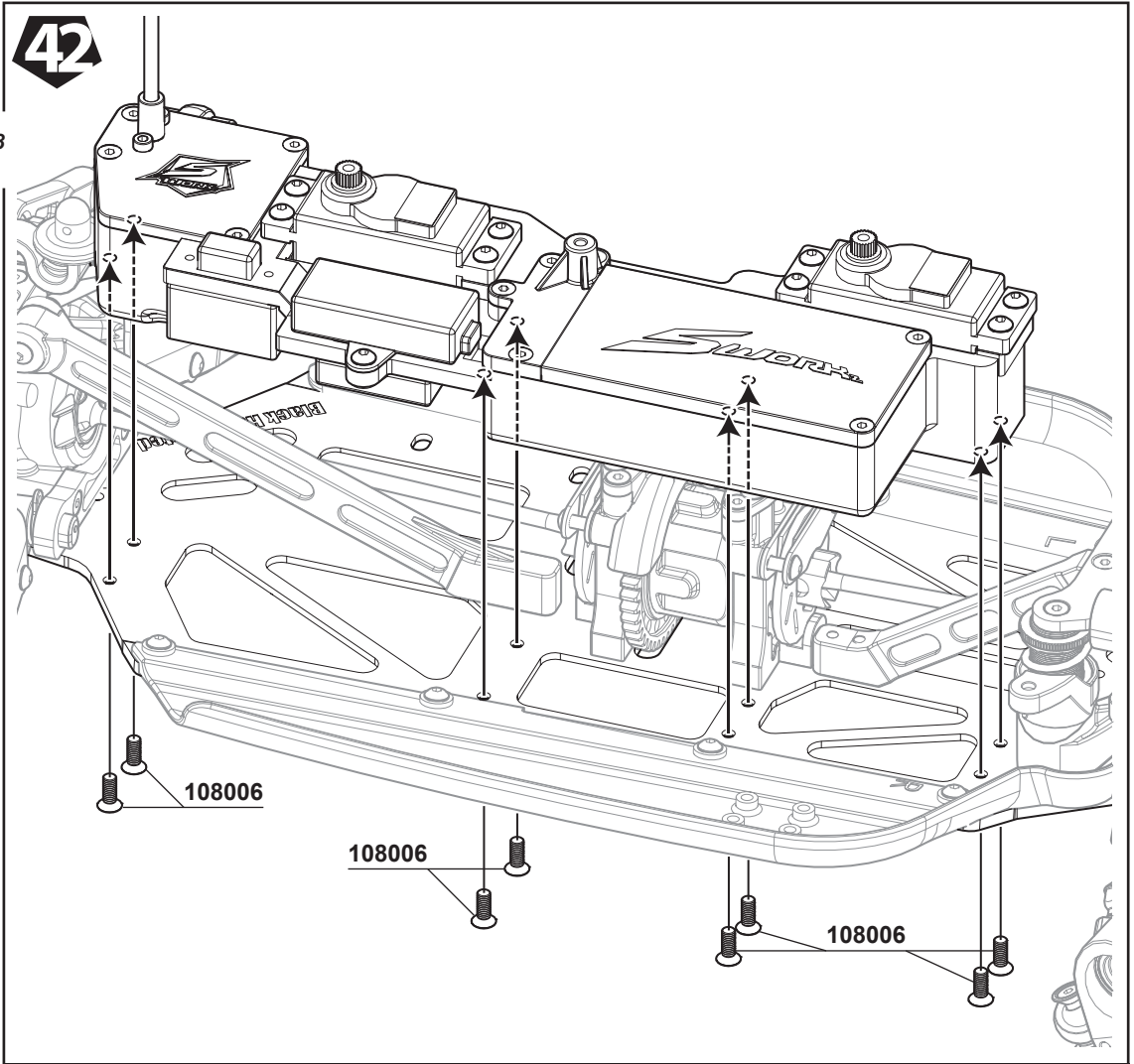
Battery is not included in the kit.



**42**



**108006**  
M3x8mm FH/ST HEX Screw x8



**43**



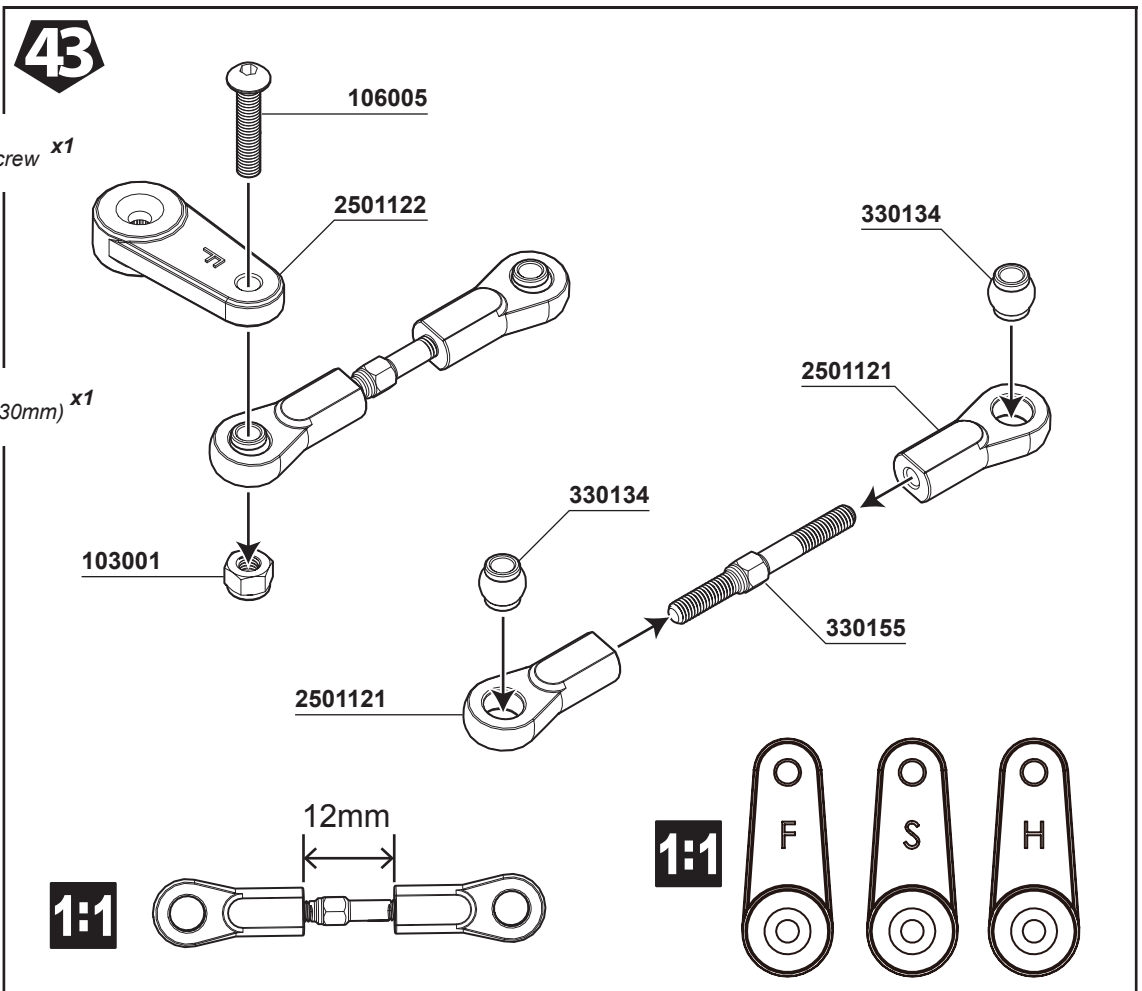
**106005**  
M3x15mm Hex Soket OH/TP Screw x1



**103001**  
M3 Nut Lock x1



**330155**  
Steering Servo Turnbuckle (M3x30mm) x1



# BAG M 1 44



**106007**  
M3x12mm Hex Socket OH/TP Screw(HT) x1



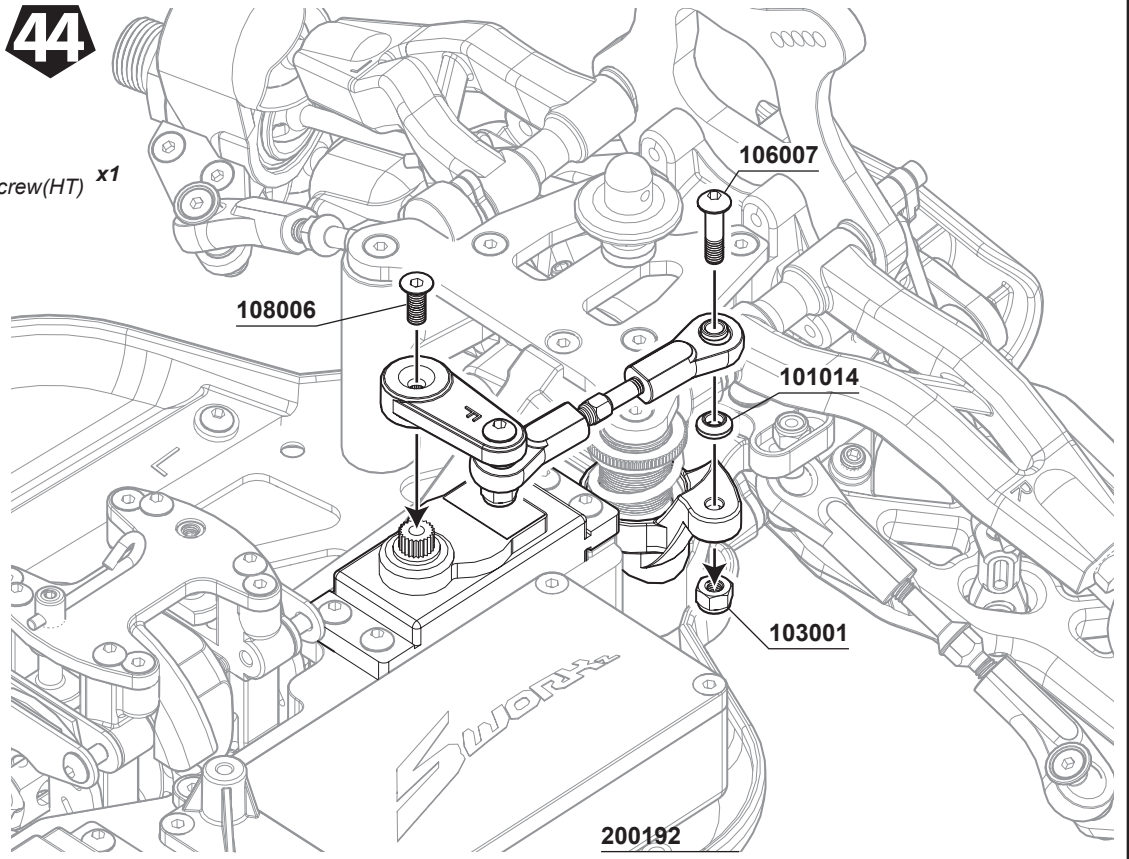
**108006**  
M3x8mm FH/ST HEX Screw x1



**103001**  
M3 Nut Lock x1



**101014**  
M3 Pivot Ball Bushing x1



# BAG G 45



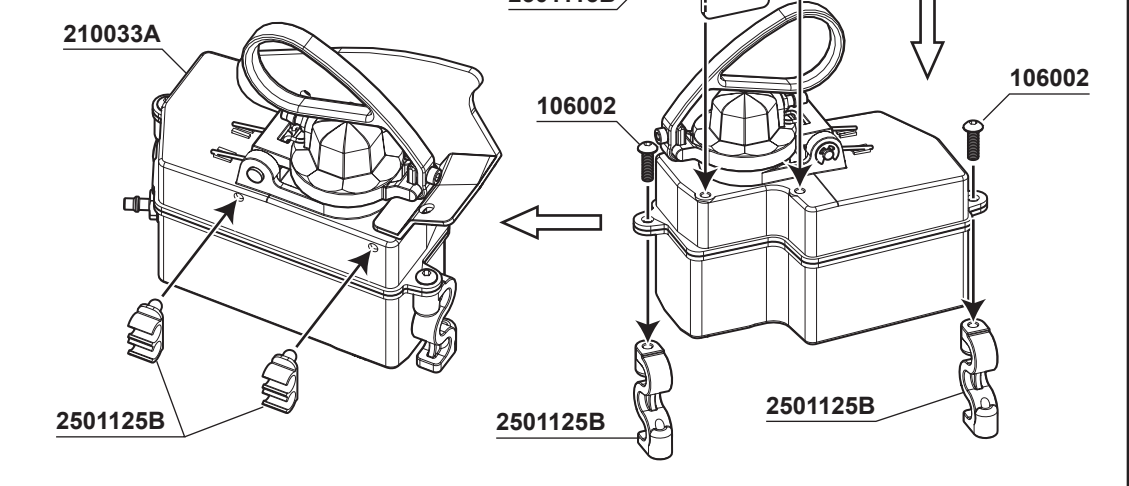
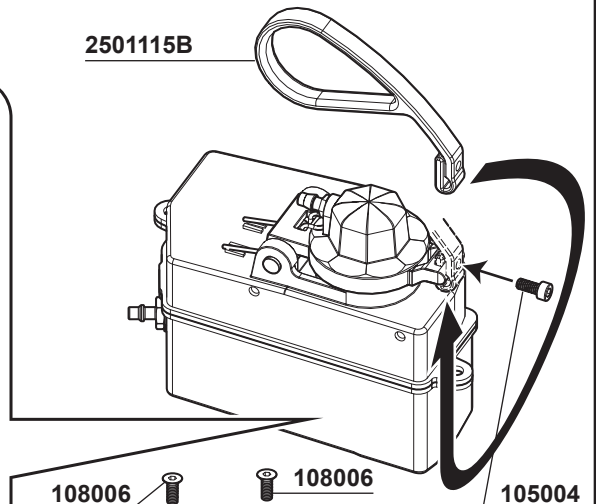
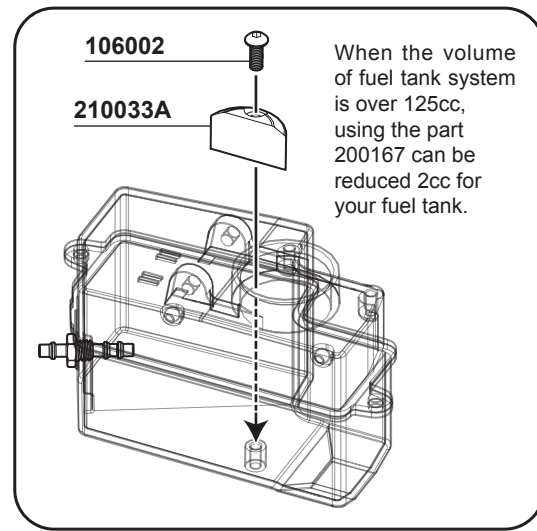
**108006**  
M3x8mm FH/ST HEX Screw x2



**105004**  
M2.6x6mm Cap Screw x1



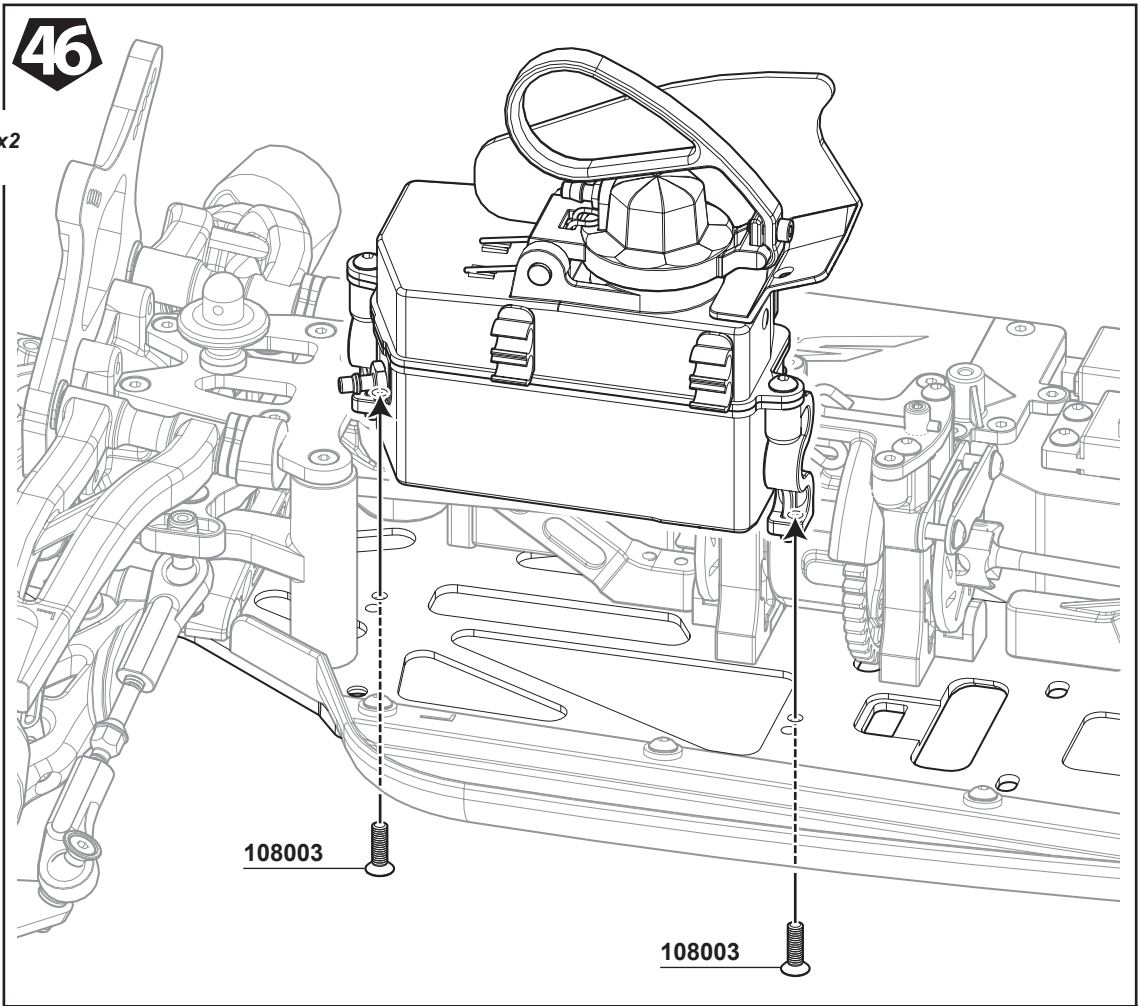
**106002**  
M3x10mm Hex Socket OH/TP Screw x3



**46**



**108003**  
M3x10mm FH/ST HEX Screw x2



108003

108003

**BAG**

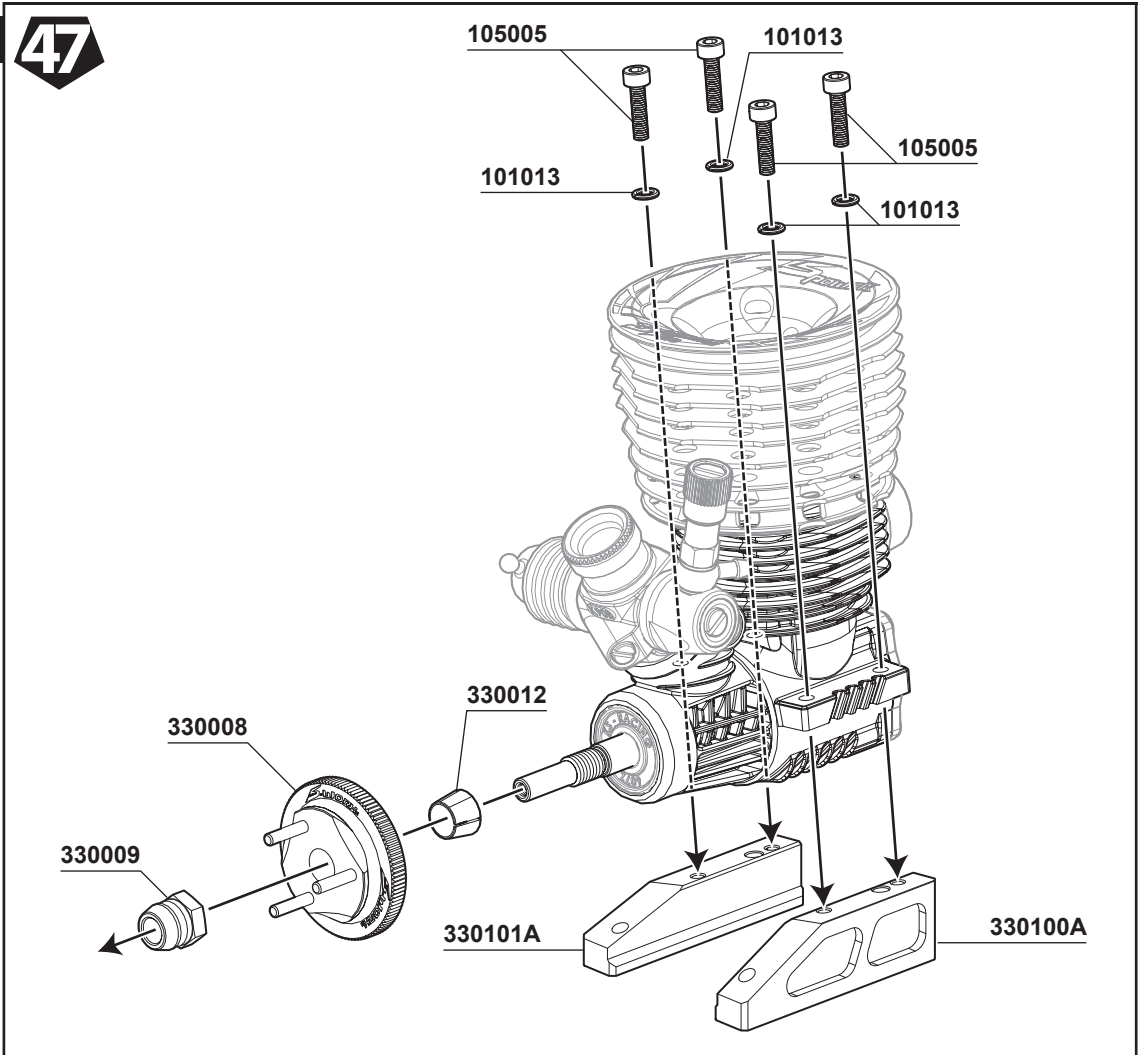
**47**



**105005**  
M3x12mm Cap Screw x4



**101013**  
3mm Spring Washer x4



105005

101013

101013

105005

101013

330008

330012

330009

330101A

330100A

**48**



**105001**  
M3x8mm Cap Screw x1



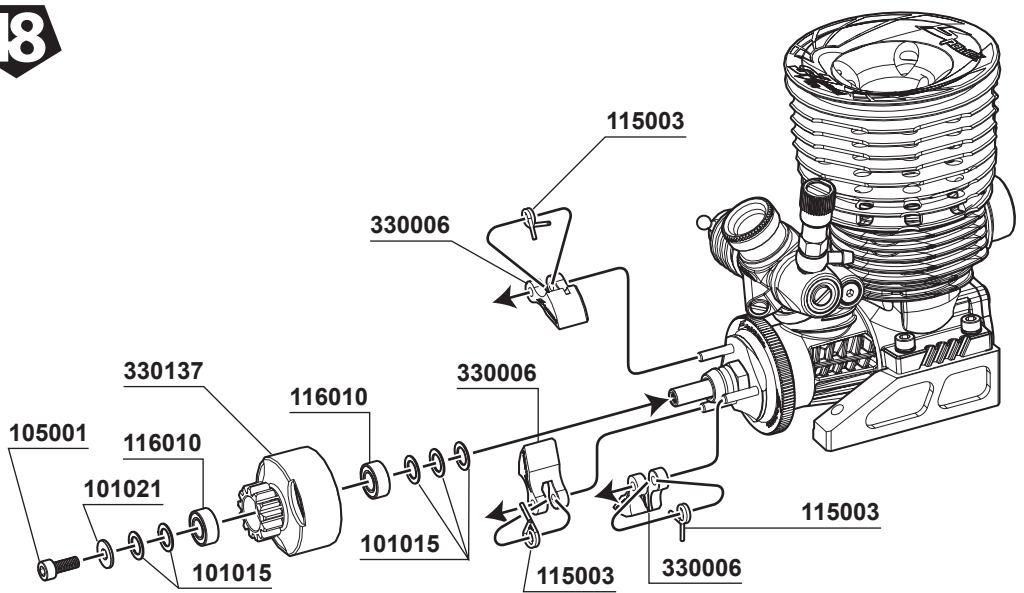
**101012**  
M3x6xT0.6mm x1



**101015**  
M5x8xT0.4mm x5



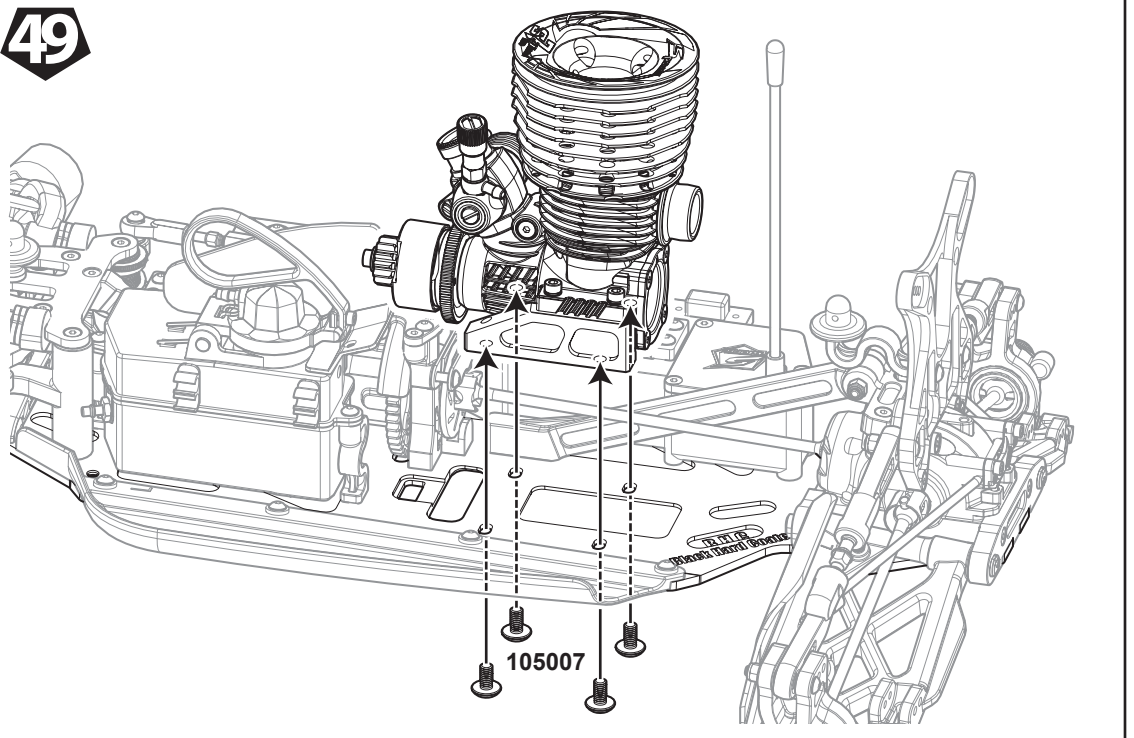
**116010**  
Ball Bearing 5x10x4mm x2



**49**



**105007**  
M4x8mm I-Head Screw x4



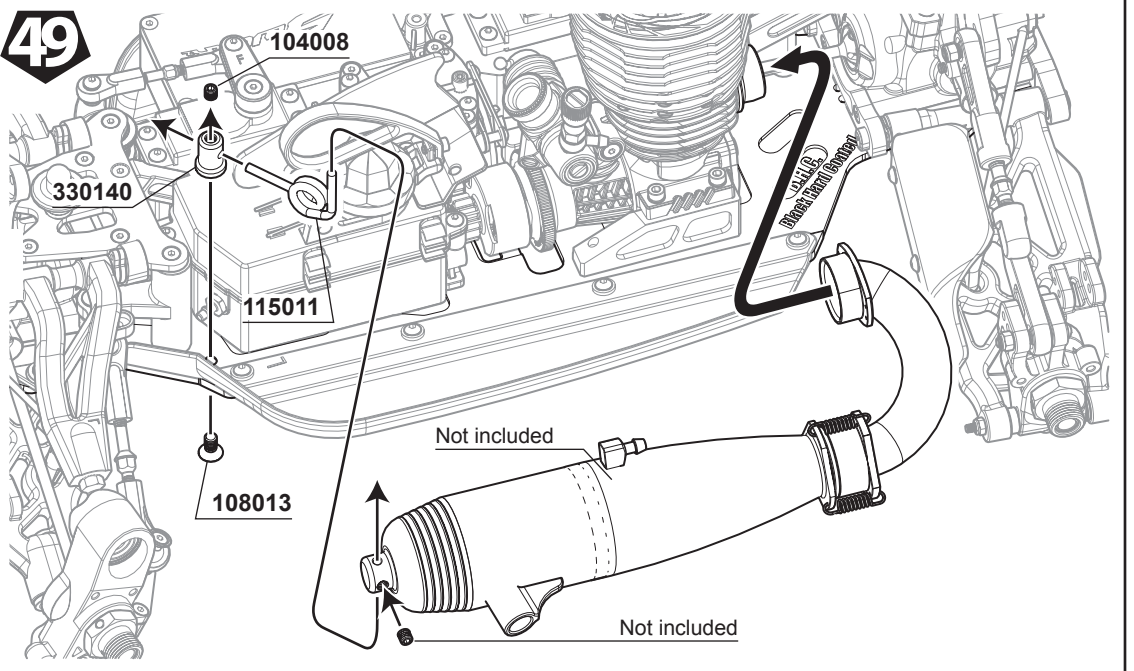
**49**




**104008**  
M4x4mm Set Screw x1



**108013**  
M4x8mm FH/ST HEX Screw x1







 **104004**  
M3x3mm Set Screw x6

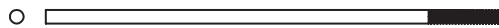
 **105004**  
M2.6x6mm Cap Screw x1

 **330155**  
Steering Servo Turnbuckle (M3x30mm) x1

 **106007**  
M3x12mm Hex Socket OH/TP Screw(HT) x2

 **117003**  
Flange Ball Bearing 3x6x2.5mm x2

 **115016**  
Throttle Rod 50mm x1

 **115018**  
Brake Rod 60mm x2

 **330157**  
Brake Adjuster Knob x2

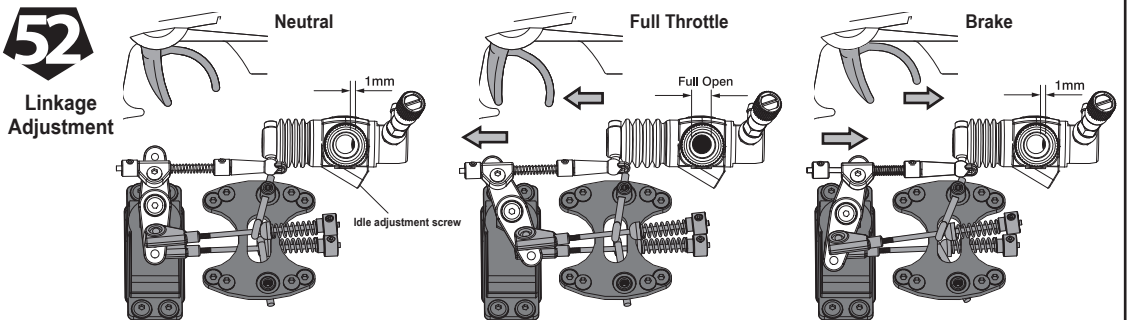
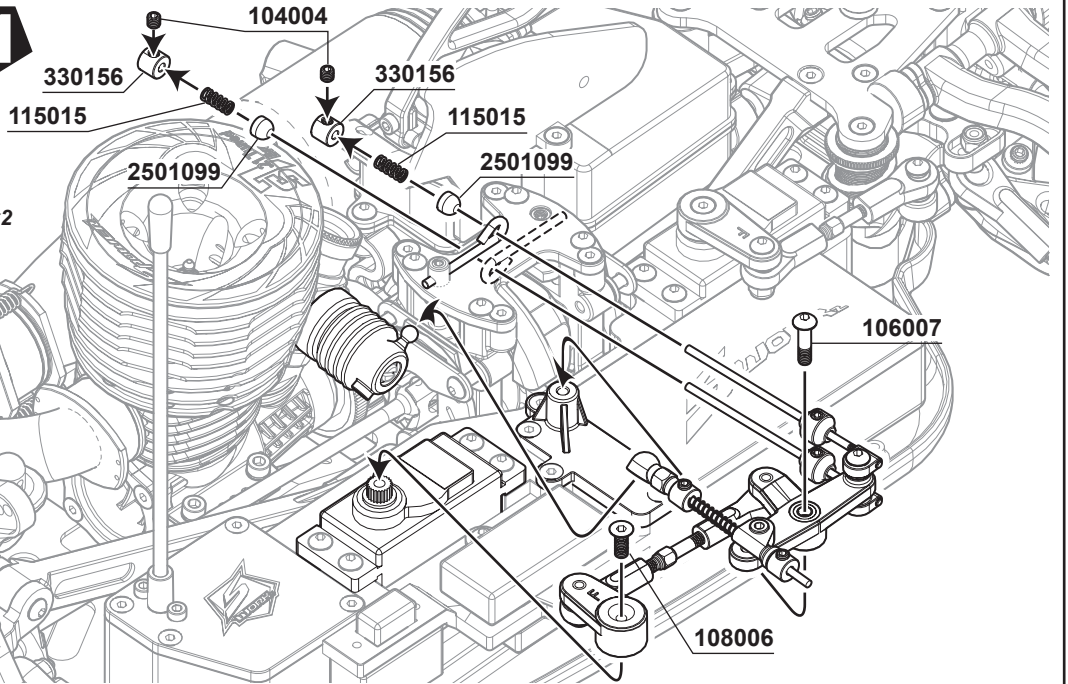
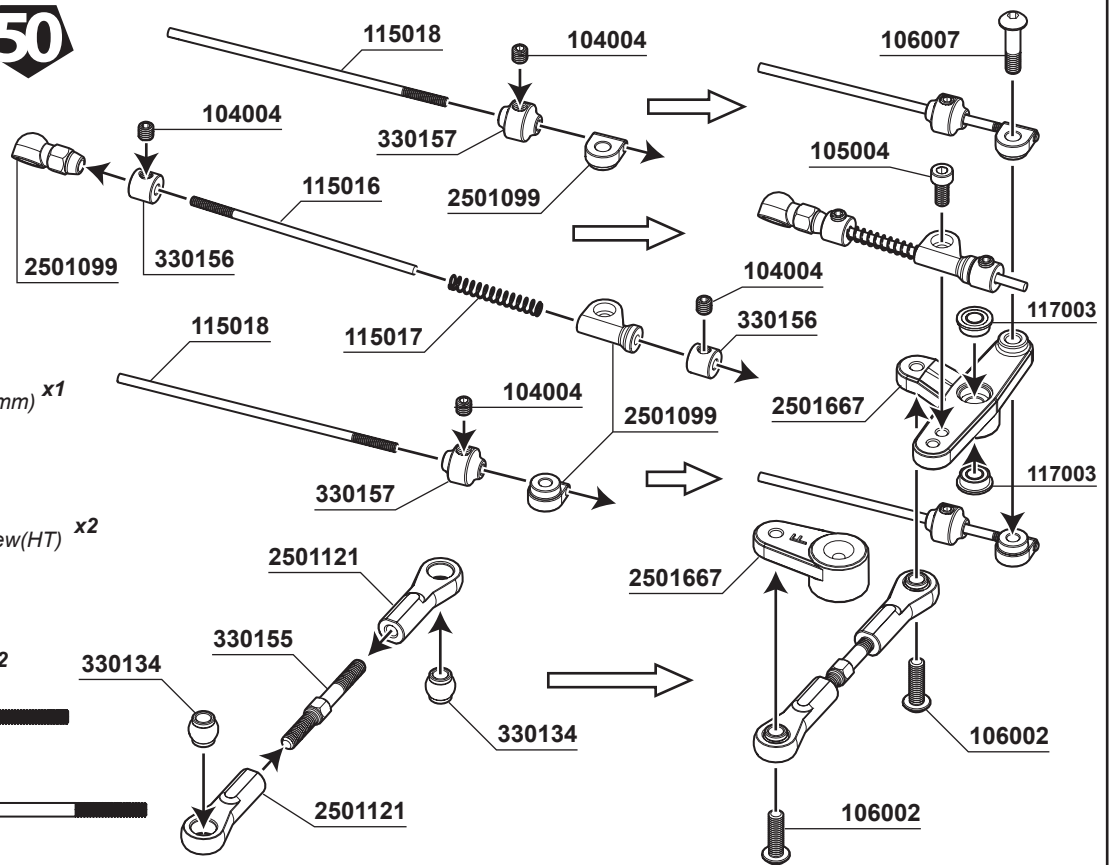
 **106002**  
M3x10mm Hex Socket OH/TP Screw x2

 **108006**  
M3x8mm FH/ST HEX Screw x1

 **330156**  
Adjuster Knob x4

 **115015**  
Brake Spring x2

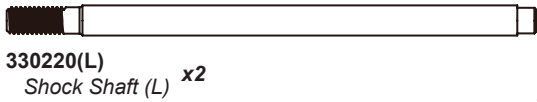
 **115017**  
Throttle Rod Spring x1



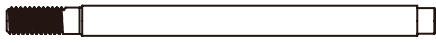
※ Turn on the transmitter and receiver. Set the throttle servo trim in neutral. Adjust the idle adjustment screw to make the carburettor opening no more than 1mm. Adjust the position of servo horn. Check that it operates smoothly without making the operation of the other parts difficult. Make sure the brake does not work in this setting.

※ Adjust the servo horn to fully open the carburettor. Change the position of servo horn if the carburettor is not fully open or opens too much. If your transmitter has a function to adjust throttle end points, make an adjustment this way.

※ Adjust the position of servo horn to make the brakes function. Make sure the brakes do not work when the servo trim is in neutral.



330220(L)  
Shock Shaft (L) x2



330221(S)  
Shock Shaft (S) x2



330224  
Shock Seal Washer 4.15x7.6x1mm x4



106013  
M2.5x8mm 1.5mm Hex Soket OH/ST Screw x4



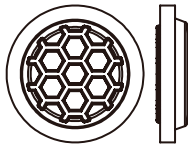
330223  
Shock Seal Washer 4.15x7.6x2.5mm x4



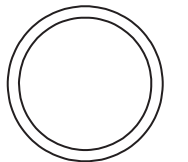
400011A  
Shock Seal O-ring 3.8x2mm x8



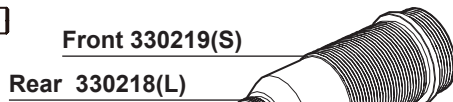
101022  
M3.4x6xT0.5mm x4



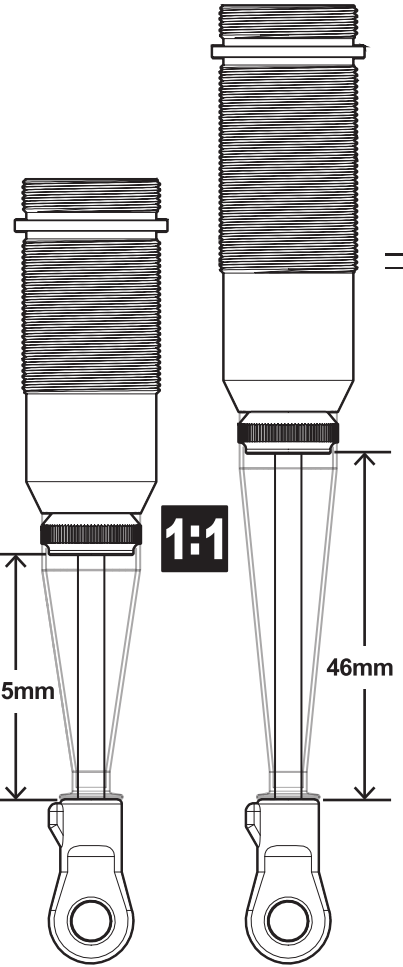
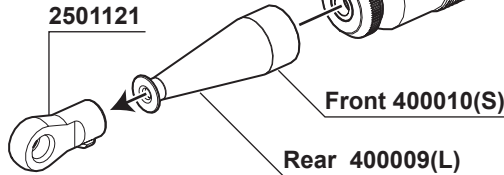
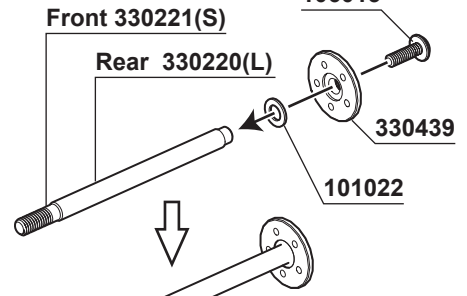
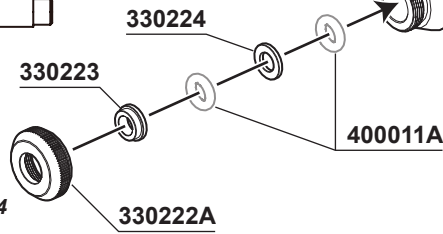
410031  
Seis Hex-Cell Shock Bladder x4



400005  
Shock Spring Adjust Nut O-Ring x4



Front 330219(S)  
Rear 330218(L)



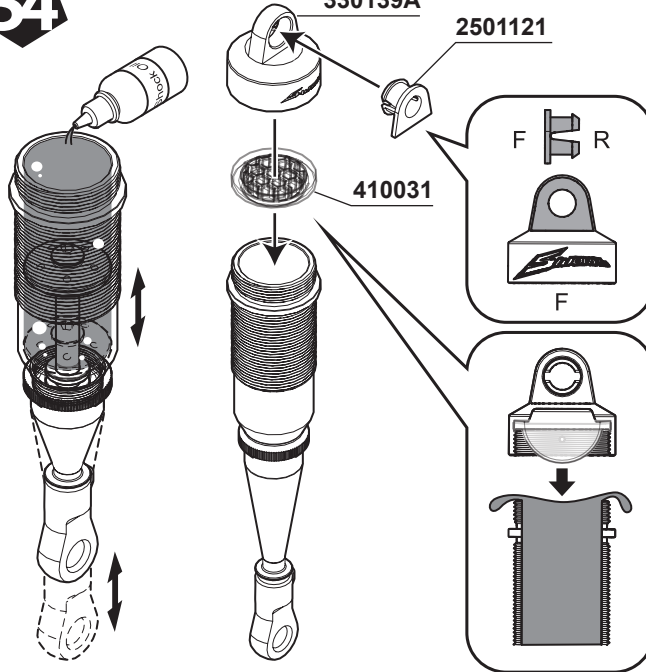
**54**

400011A  
Shock Seal O-ring 3.8x2mm x8

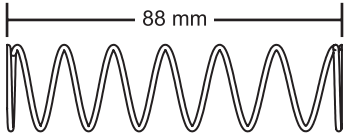
101022  
M3.4x6xT0.5mm x4

410031  
Seis Hex-Cell Shock Bladder x4

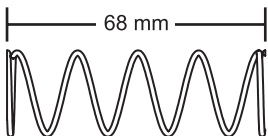
400005  
Shock Spring Adjust Nut O-Ring x4



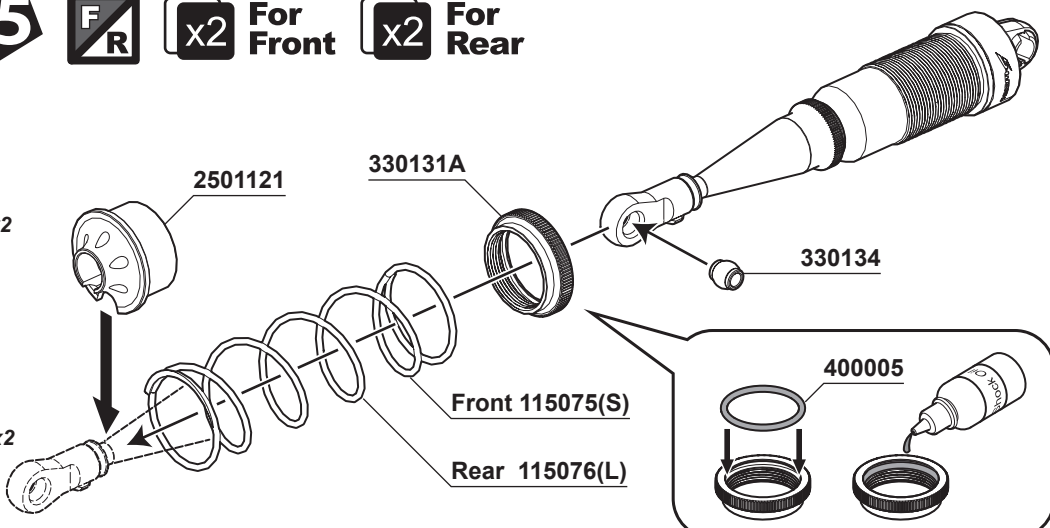
**55**




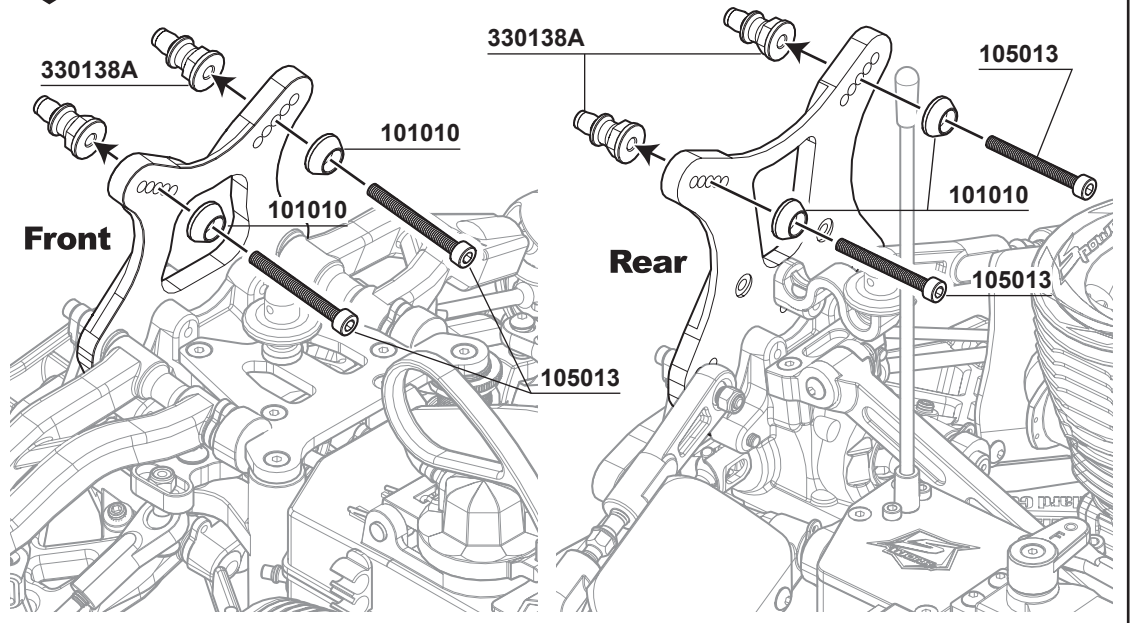
115076(L)  
Shock Spring L (1.4mm x P14)(OR) x2




115075(S)  
Shock Spring S (1.4mm x P14)(OR) x2

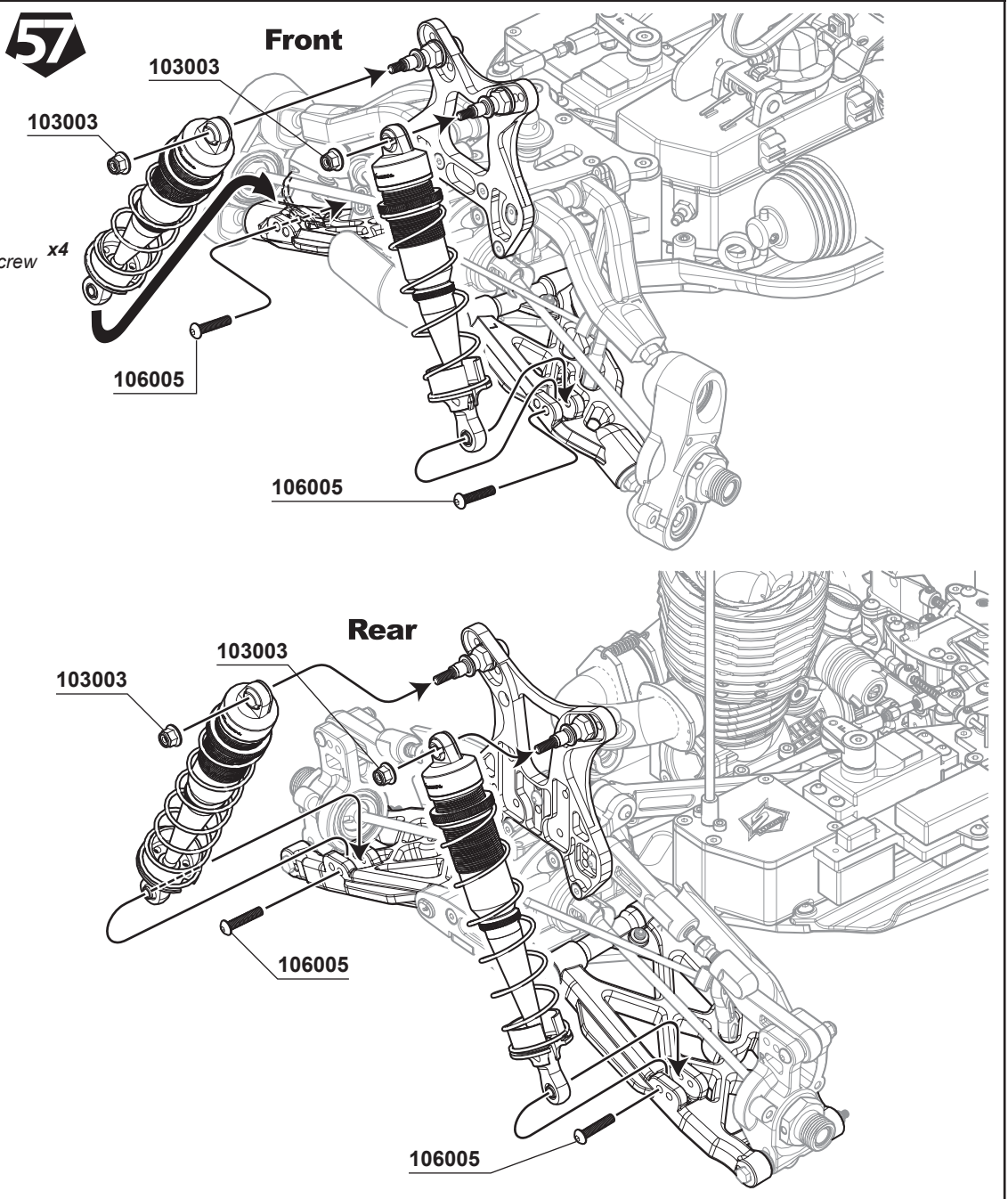


  
**105013**  
M3x25mm Cap Screw x4



  
**103003**  
Flange M3 Nut Lock x4

  
**106005**  
M3x15mm Hex Socket OH/TP Screw x4



# BAG M

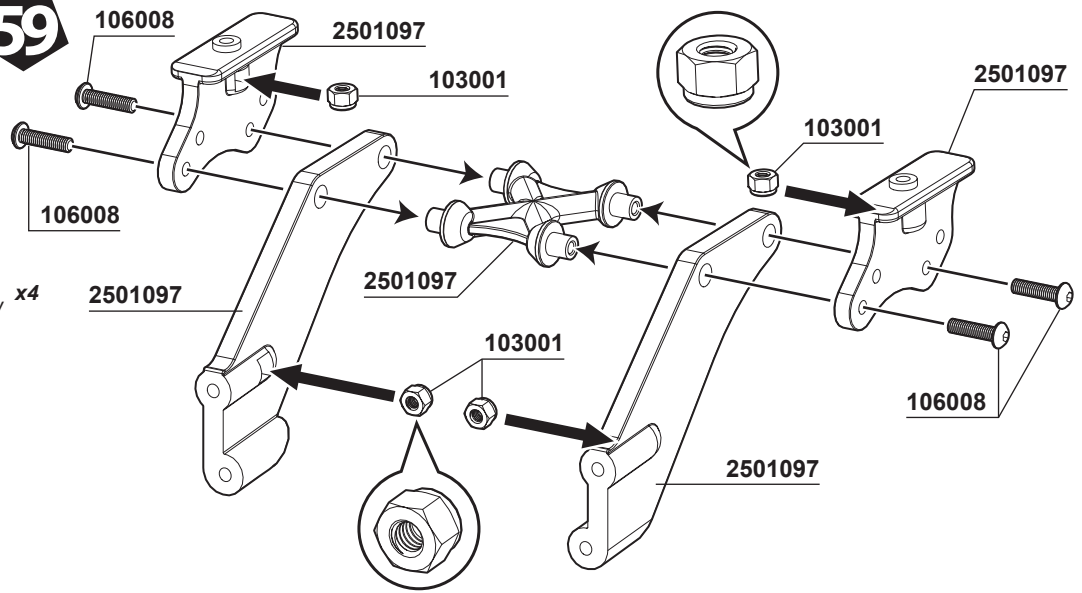
## 59



103001  
M3 Nut Lock x4



106008  
M3x12mm Hex Soket OH/TP Screw x4



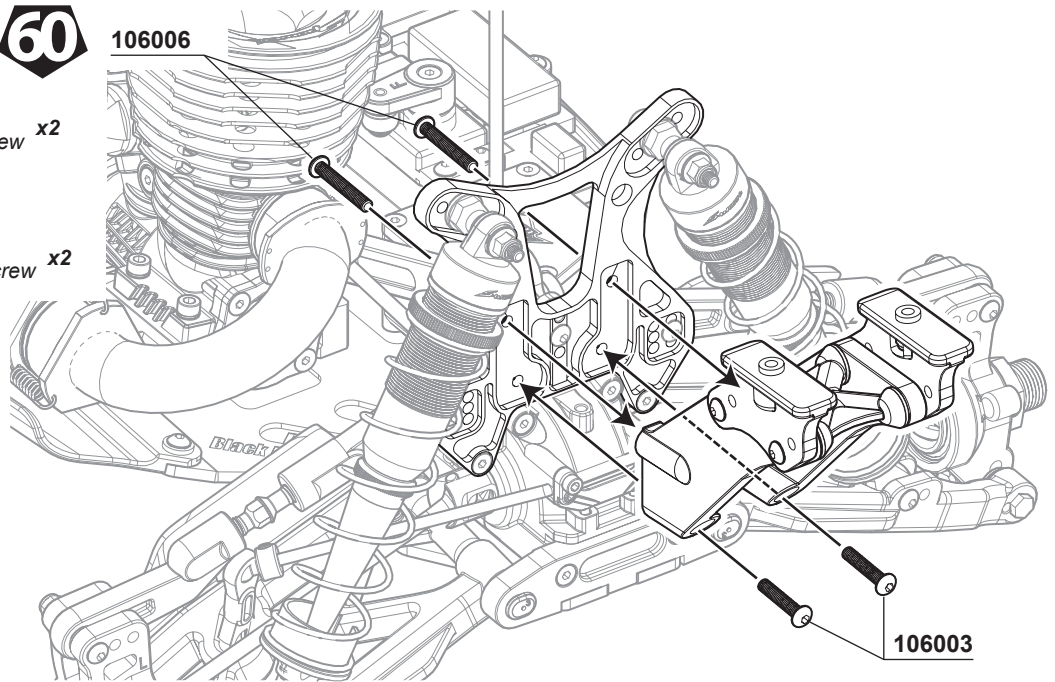
## 60



106006  
M3x20mm Hex Soket OH/TP Screw x2



106003  
M3x16mm Hex Soket OH/TP Screw x2

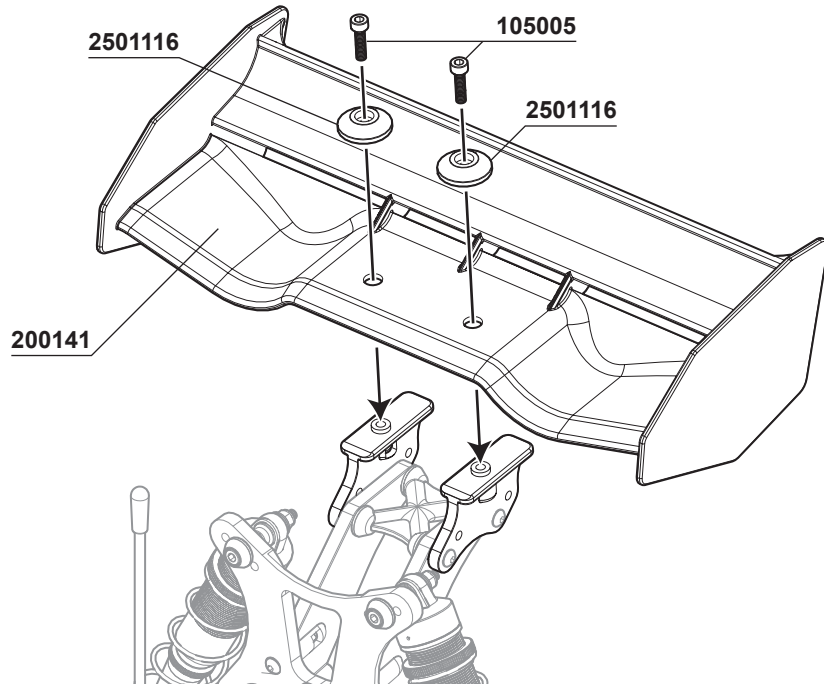


# BAG M 3

## 60

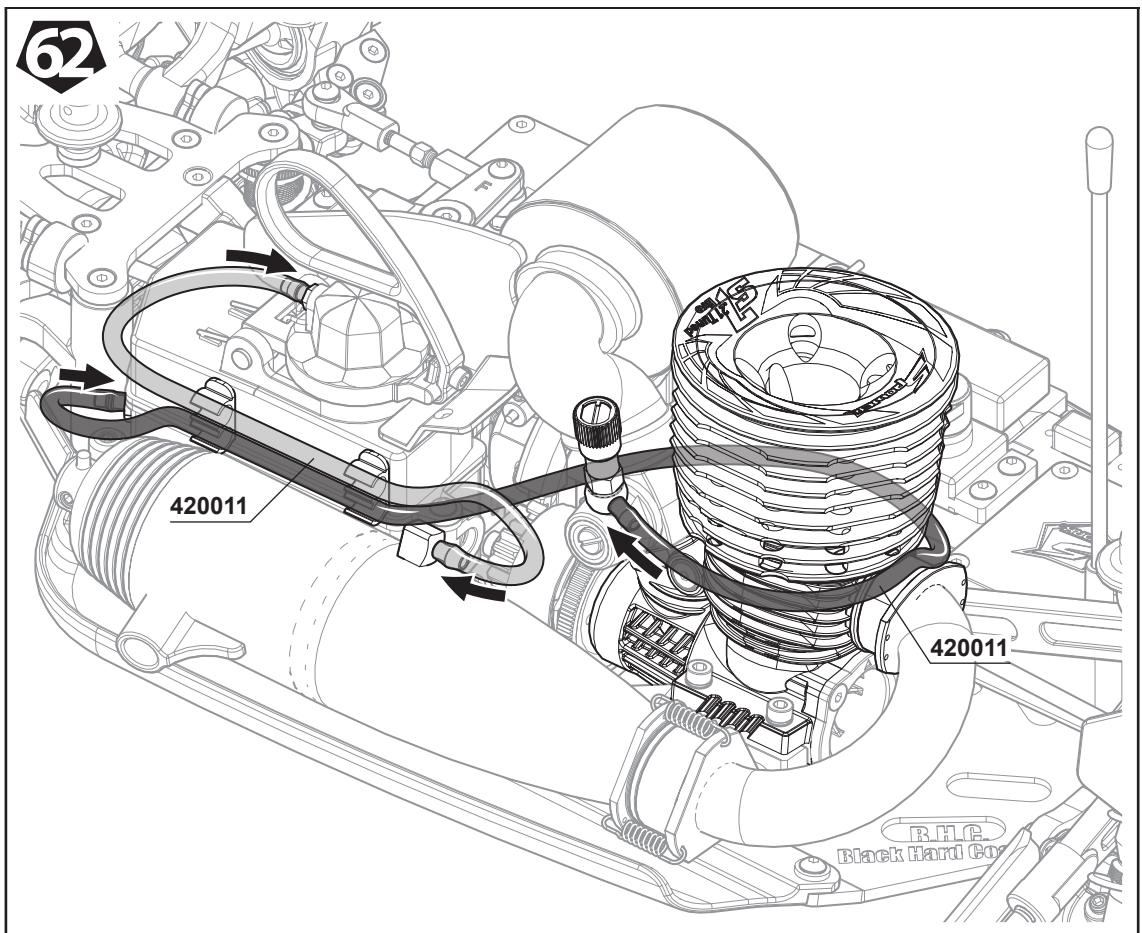
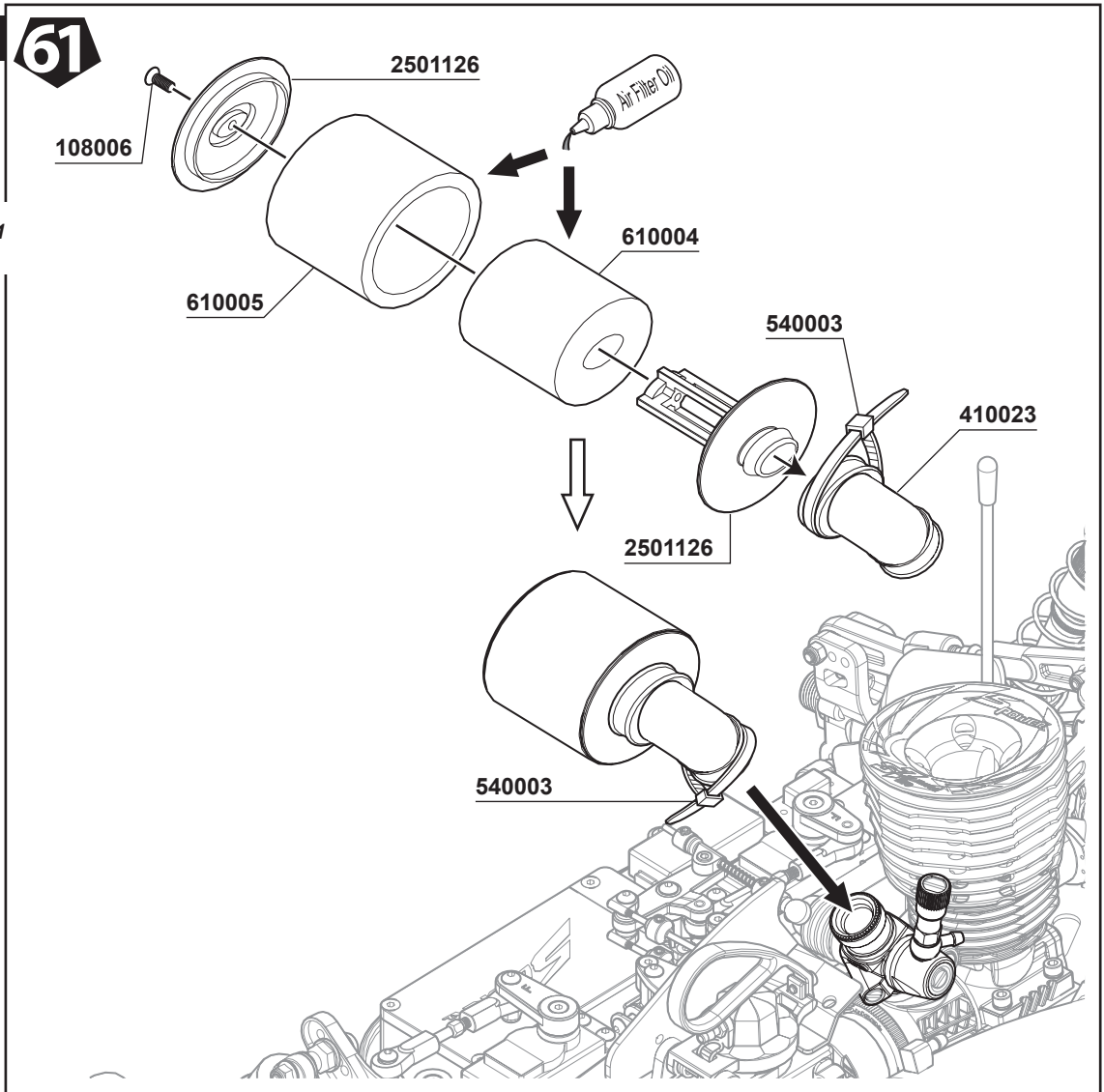


105005  
M3x12mm Cap Screw x2





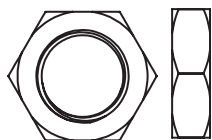
108006  
M3x8mm FH/ST HEX Screw x1



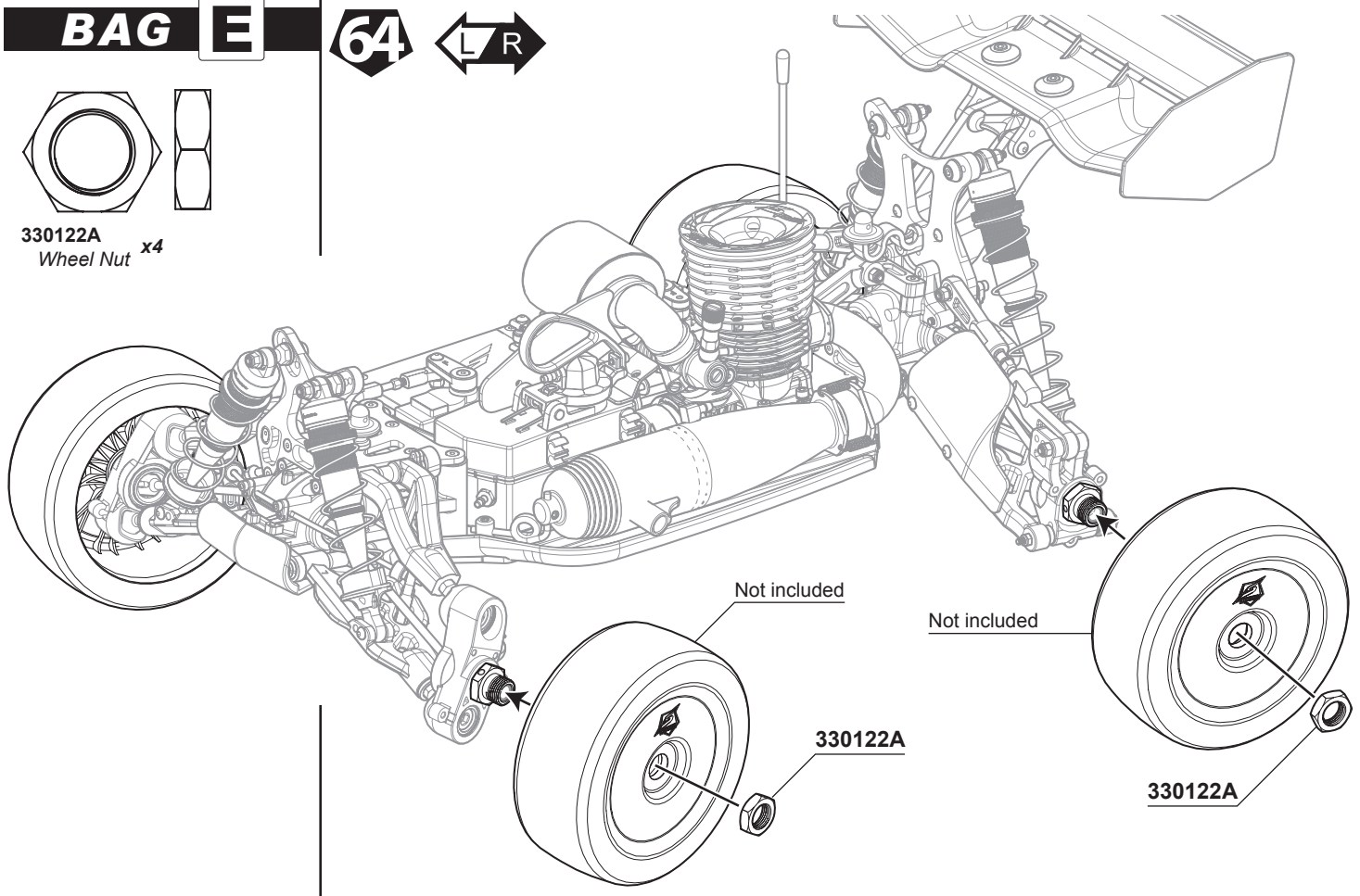
**BAG**



**64**



**330122A**  
Wheel Nut x4

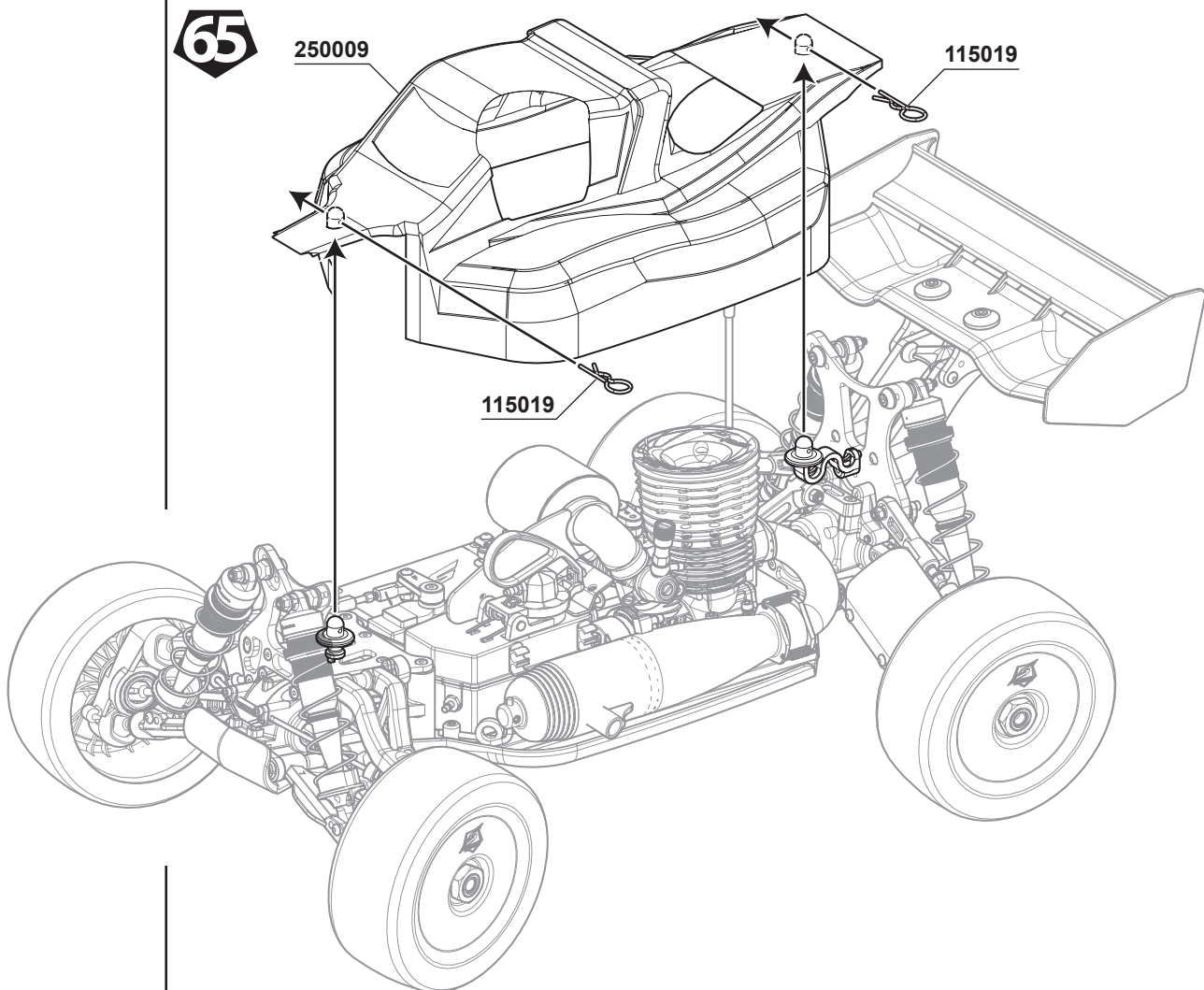


**65**

250009

115019

115019



## S350EVO

1/8 Off Road Nitro Racing Buggy

Name: \_\_\_\_\_  
 Date: \_\_\_\_\_  
 Track: \_\_\_\_\_

**Diff. Oil**  
 Front: # \_\_\_\_\_  
 Center: # \_\_\_\_\_  
 Rear: # \_\_\_\_\_

**Tire**  
 Front Type: \_\_\_\_\_ Rear Type: \_\_\_\_\_  
 Front Foam: \_\_\_\_\_ Rear Foam: \_\_\_\_\_

**Track Conditions**  
 Size:  Open  Med.  Tight  
 Traction:  High  Med.  Low  
 Surface:  Smooth  Med.  Bumpy

**Engine**  
 Type: \_\_\_\_\_  
 Gasket: \_\_\_\_\_ mm Muffler: \_\_\_\_\_  
 Plug: \_\_\_\_\_ Fuel: \_\_\_\_\_

**Clutch**  
 Clutch shoes: \_\_\_\_\_  
 Spring: \_\_\_\_\_ mm  
 Clutch bell / Spur gear: \_\_\_\_\_

**Front Suspension**

1  
 2  
 3  
 4  
 5

**Front in-Board Toe**  
 -1  
 +1

0  
 1

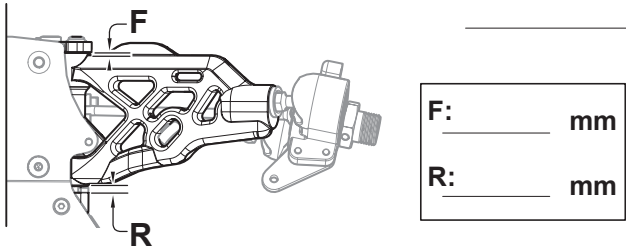
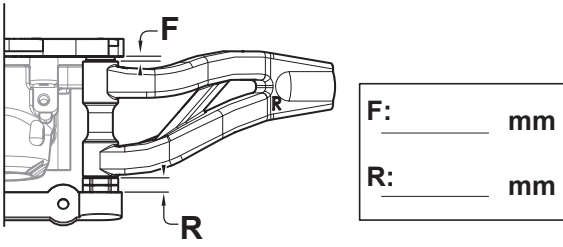
**Front Roll Center**  
 Left = Right

Track width \_\_\_\_\_ mm  
 Camber angle Upper \_\_\_\_\_ mm  
 Lower \_\_\_\_\_ mm  
 Toe angle \_\_\_\_\_  
 Rebound stop \_\_\_\_\_ mm  
 Sway bar  Use \_\_\_\_\_ mm  
 None

Oil: \_\_\_\_\_  
 Pistons: \_\_\_\_\_  
 Spring: \_\_\_\_\_  
 Spacer: \_\_\_\_\_ mm

Steering Ackerman  
 1  
 2  
 3

Notes: \_\_\_\_\_



**Rear Suspension**

1  
 2  
 3  
 4  
 5

**Rear Toe-In**  
 1  
 2  
 3

3.5  
 3.0  
 2.0

**Upper arm position**  
 4  
 5  
 6

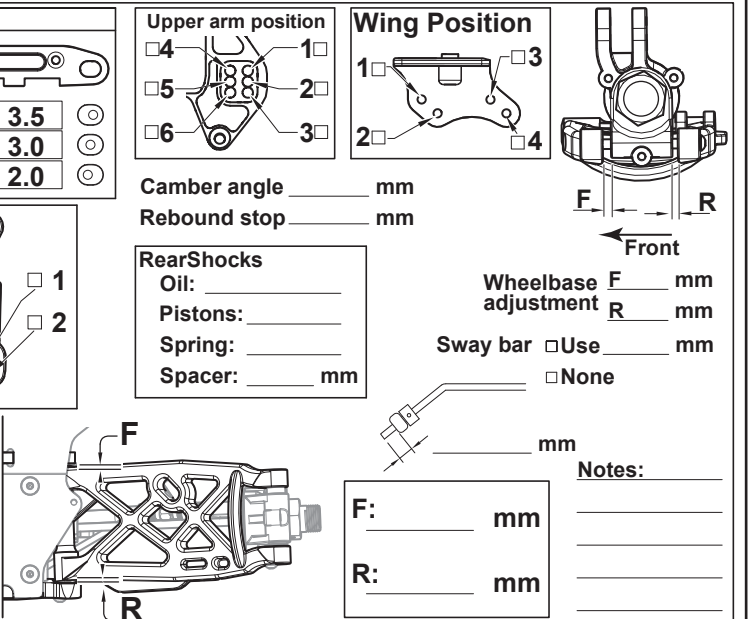
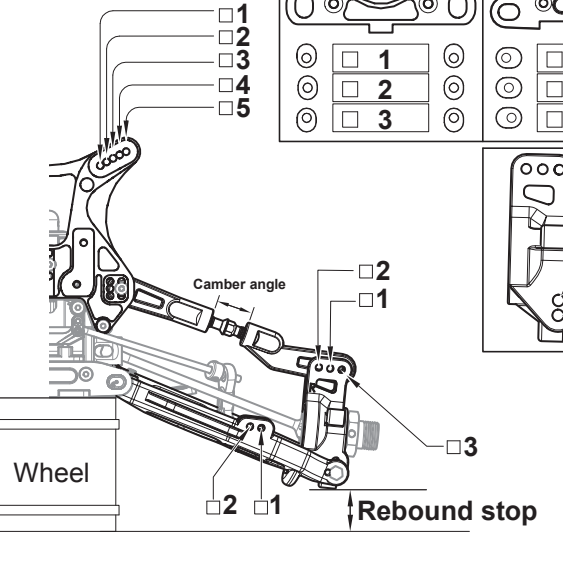
**Wing Position**  
 1  
 2  
 3  
 4

Camber angle \_\_\_\_\_ mm  
 Rebound stop \_\_\_\_\_ mm

**Rear Shocks**  
 Oil: \_\_\_\_\_  
 Pistons: \_\_\_\_\_  
 Spring: \_\_\_\_\_  
 Spacer: \_\_\_\_\_ mm

Wheelbase F \_\_\_\_\_ mm  
 adjustment R \_\_\_\_\_ mm  
 Sway bar  Use \_\_\_\_\_ mm  
 None

Notes: \_\_\_\_\_



## S350EVO

1/8 Off Road Nitro Racing Buggy

Name: **SWORKz**  
 Date: **2013.11.10**  
 Track: **C-Netic**

**Diff. Oil**  
 Front: # **10000**  
 Center: # **10000**  
 Rear: # **3000**

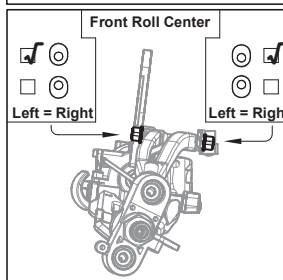
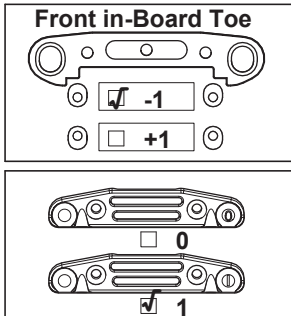
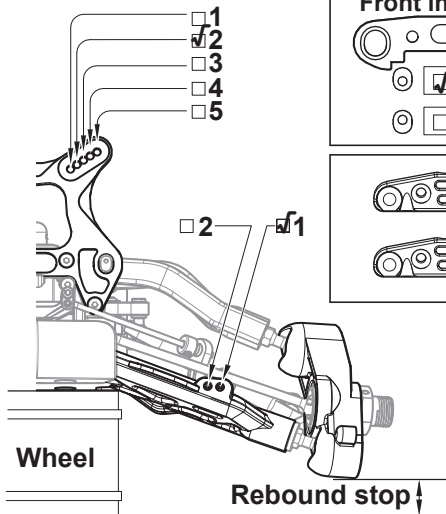
**Tire**  
 Front Type: **T-PRO 3301**      Rear Type: **T-PRO 3301**  
 Foam: **Standard**                  Foam: **Standard**

**Track Conditions**  
 Size:  Open     Med.     Tight  
 Traction:  High     Med.     Low  
 Surface:  Smooth     Med.     Bumpy

**Engine**  
 Type: **S-POWER S7 EVO**  
 Gasket: **0.2** mm      Muffler: **S-POWER 2042**  
 Plug: **ST-3**              Fuel: **VP 30%**

**Clutch**  
 Clutch shoes: **SWORKz Tornato**  
 Spring: **1.0** mm  
 Clutch bell / Spur gear: **13/45T**

### Front Suspension

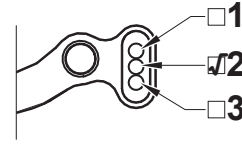


Track width **308** mm  
 Camber angle Upper **0** mm  
                          Lower **2** mm  
 Toe angle \_\_\_\_\_ mm  
 Rebound stop \_\_\_\_\_ mm  
 Sway bar  Use **2.6** mm  
                           None

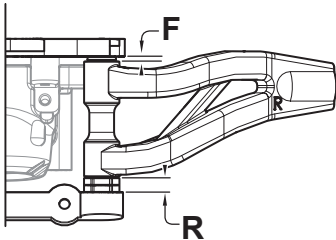
### Front Shocks

Oil: **650cps**  
 Pistons: **1.3x5 Holes**  
 Spring: **Blue**  
 Spacer: **3** mm

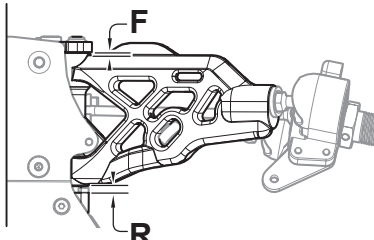
### Steering Ackerman



**2** mm  
 Notes: \_\_\_\_\_

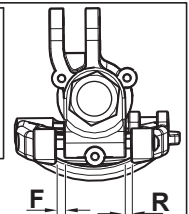
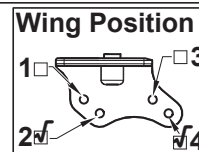
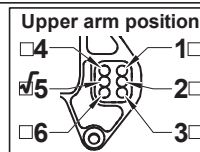
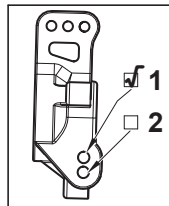
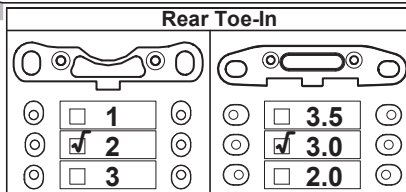
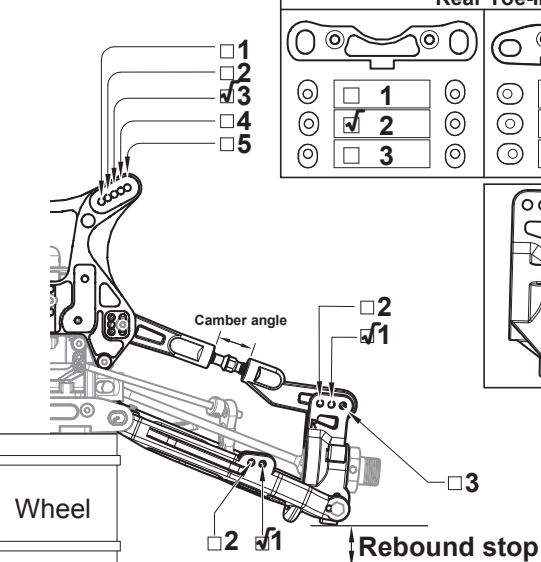


F: **2** mm  
 R: **2** mm



F: **0** mm  
 R: **2** mm

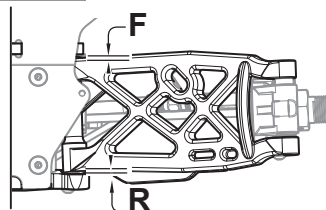
### Rear Suspension



Camber angle \_\_\_\_\_ mm  
 Rebound stop \_\_\_\_\_ mm

**Rear Shocks**  
 Oil: **600cps**  
 Pistons: **1.3x5 Holes**  
 Spring: **Orange**  
 Spacer: **8** mm

Wheelbase F **2** mm  
 adjustment R **3** mm  
 Sway bar  Use **3** mm  
                           None



**2** mm  
 Notes: \_\_\_\_\_  
 F: **1** mm  
 R: **0** mm



# Parts No. List

Part No.	Part Name	Q'ty in Use	Item No.	Part No.	Part Name	Q'ty in Use	Item No.
210002A	Diff Case with Matel part	3	SW-210002A	200308	BK1 EVO Center Diff Cover	1	SW-2501666
210033A	Fuel Tank	1	SW-210033A	200313	BK1 EVO Receiver Box Cover	1	SW-2501666
200120	Front Lower Arm (L)	1	SW-2501093A	200314	BK1 EVO Battery Box Cover	1	SW-2501666
200121	Front Lower Arm ( R )	1	SW-2501093A	200178	Servo Mount	2	SW-2501667
200131A	Rear Lower Arm (L)	1	SW-2501094A	200302	BK1 EVO Throttl Linkage Arm	1	SW-2501667
200132A	Rear Lower Arm ( R )	1	SW-2501094A	200303	BK1 EVO Throttl Servo Horn (For Futaba)	1	SW-2501667
200129	Rear Hub Carrier (L)	1	SW-2501095	200304	BK1 EVO Throttl Servo Horn (For S&K system)	1	SW-2501667
200130	Rear Hub Carrier ( R )	1	SW-2501095	200305	BK1 EVO Throttl Servo Horn (For Hitech)	1	SW-2501667
200102	Front Lower Arm Holder (0 degree)	1	SW-2501096	200306	BK1 EVO Throttl Linkage Ball End	2	SW-2501667
200103	Front Lower Arm Holder (1 degree)	1	SW-2501096	200307	BK1 EVO Antenna Holder	1	SW-2501667
200104	Rear Lower Arm Plate (0-2.5 D)	1	SW-2501096	200299	BK1 EVO Setting Bellcrank Upper ( R )	1	SW-2501667
200105	Rear Lower Arm Plate (0-3.0 D)	1	SW-2501096	200294	1/8 Buggy Servo Holder Insert 1mm	6	SW-2501668
200106	Rear Lower Arm Plate (1-2.5 D)	1	SW-2501096	200295	1/8 Buggy Servo Holder Insert 3mm	4	SW-2501668
200107	Rear Lower Arm Plate (1-3.0 D)	1	SW-2501096	200296	S350 Series Servo Savor Plastic Insert 6x10x3mm	4	SW-2501668
200125	Front Upper Arm Holder	1	SW-2501096	200297	Knuckle Pivot Ball Washer 2mm	2	SW-2501668
200111	Front Bumper	1	SW-2501097	200298	Knuckle Pivot Ball Washer 1mm	2	SW-2501668
200142	Wing Stay (L)	1	SW-2501097	200480	S350 Series Rear Lower Arm Plate Changable Insert (2/3.5 Degree)	1	SW-2502036
200143	Wing Stay (R)	1	SW-2501097	200481	S350 Series Rear Lower Arm Plate Changable Insert (3 Degree)	4	SW-2502036
200144	Wing Stay Holder	1	SW-2501097	200482	S350 Series Rear Changable Plastic Lower Arm Plate	4	SW-2502036
200145	Wing Support (L)	1	SW-2501097	200483	S350 Series Aluminum Front Changable Lower Arm Holder Insert (0-1 Degree)	8	SW-2502036
200146	Wing Support (R)	1	SW-2501097	330439	BK1 EVO Shock Piston 1.3mmX5 Holes	4	SW-330439
200170	Rear Body Mount	1	SW-2501097	300017	Brake Disc	2	SW-300017
200171	Front Body Mount	1	SW-2501097	320003	Diff. Bevel Gear 18T	6	SW-320003
200122	Front Steering Knuckle ( L )	1	SW-2501098	320004	Diff. Bevel Gear 10T	12	SW-320004
200123	Front Steering Knuckle ( R )	1	SW-2501098	330006	Tornado Clutch Shoes	3	SW-330006
200108	R/F Insert (1 degree)	2	SW-2501099	330008	Tornado Fly Wheel Set	1	SW-330008
200109	R/F Insert (0 degree)	2	SW-2501099	330009	Tornado Fly Wheel Center Nut	1	SW-330008
200110	F/F Insert (1 degree)	2	SW-2501099	330012	Fly Wheel Collect	1	SW-330008
200126	F/Up Insert (1 degree)	4	SW-2501099	330013	Bevel Gear Shaft	6	SW-330013
200184	Brake Linkage Holder	2	SW-2501099	330014	Front/Rear Diff. Outdrive	4	SW-330014
200186	Throttle Linkage Holder	1	SW-2501099	330015	Pin M2.2x9.9mm	6	SW-330015
200187	Throttle Linkage Holder (Done)	1	SW-2501099	330017	Center Diff. Outdrive	2	SW-330017
200188	Throttle Linkage Holder (Up)	1	SW-2501099	330018	46T SPUR GEAR	1	SW-330018
200124	Pivot Ball Cup	4	SW-2501100	330086	Front Lower Suspension Plate	1	SW-330086
200133	Lower Arm Insert (1mm)	2	SW-2501100	330091	Settring BellcrankPlate	1	SW-330091
200134	Lower Arm Insert (1mm)	6	SW-2501100	330100A	S350 Engine Mount (L) (HC)	1	SW-330100A
200135	Rear Wheel Axle Insert (1mm)	4	SW-2501100	330101A	S350 Engine Mount (R) (HC)	1	SW-330100A
200136	Rear Wheel Axle Insert (2mm)	2	SW-2501100	330103	Front/Rear Lower Arm HingPin	4	SW-330103
200127	Front Upper Arm (L)	1	SW-2501113	330104	Brake Cam (S)	1	SW-330104
200128	Front Upper Arm ( R )	1	SW-2501113	330105	Brake Cam (L)	1	SW-330105
200023	Gear Box (F)	2	SW-2501114	330106	Brake Cam	2	SW-330106
200024	Gear Box (R)	2	SW-2501114	330109	F/R Drive Shaft 93.5mm	4	SW-330109
200101	S-Way Bar Holder	2	SW-2501114	330110	CVD Join	6	SW-330110
200114	Brake Holder	2	SW-2501114	330111	Pin M2.5x14.8mm	6	SW-330110
200115	Brake Cam Insert	2	SW-2501114	330112	CVD Axle	4	SW-330112
200119	Rear Shock Tower Insert	1	SW-2501114	330113	Servo Saver Shaft	2	SW-330113
200155	Rear Lower Arm Dusty Cover (L)	1	SW-2501115	330114A	S350 Sseries Servo Saver Post (HC)	1	SW-330114A
200156	Rear Lower Arm Dusty Cover ( R )	1	SW-2501115	330117	Knuckle Pivot Ball Washer	2	SW-330117
200162	Fuel Sprinkle Guard	1	SW-2501115	330118	Knuckle Pivot Ball Nut	4	SW-330118
200173	Transponder Mount	1	SW-2501115	330119	Front Upper Arm HingPin	2	SW-330119
200192	Fuel Tank Ring-pull	1	SW-2501115	330121A	S350 Wheel Hub (HC)	4	SW-330121A
200141	S-WORKz High Done Force Wing	1	SW-2501116	330122A	S350 Wheel Nut (HC)	4	SW-330122A
200147	Wing Holder	2	SW-2501116	330123A	S350 EVO Rear Upper Sus. Arm Turnbuckles M5x38mm	2	SW-330123A
200137	Rear Upper Arm Ball End (For Wheel Side)	2	SW-2501121	330124	Pin M3.0x16.8mm	4	SW-330124
200138	Rear Upper Arm Ball End	2	SW-2501121	330125	Rear Upper Sus. Arm Ball Stud	4	SW-330125
200139	Steering Ball End	2	SW-2501121	330126A	S350 EVO Steering Turnbuckle M4x40mm	2	SW-330126A
200140	Steering Ball End (For Wheel Side)	2	SW-2501121	330127	Steering Linkage Ball Stud 7mm	4	SW-330127
200148	Shock Cap Insert	4	SW-2501121	330131A	S350 Shock Spring Adjust Nut (GM)	4	SW-330131A
200149	Shock Ball End	4	SW-2501121	330134	Shock Ball Stud	12	SW-330134
200150	Shock Spring Holder	4	SW-2501121	330135	Servo Saver Nut	1	SW-330114
200158	Sway Bar Linkage	4	SW-2501121	330136	Sway Bar Ball Stud	4	SW-330136
200179	Steering Linkage Ball End	2	SW-2501121	330137	Clutch Bell 13T	1	SW-330137
200185	Throttle Linkage Ball End	1	SW-2501121	330138A	S350 EVO Shock Cap Stud	4	SW-330138A
200116	Settring Bellcrank Upper ( R )	1	SW-2501122	330139A	S350 Shock Cap (GM)	4	SW-330139A
200117	Settring Bellcrank ( R )	1	SW-2501122	330140	Pipe Holder	1	SW-330140
200118	Settring Bellcrank ( L )	1	SW-2501122	330155	Steering Servo Turnbuckle (M3x30mm)	2	SW-330155
200172	Rear Chassis Brace Mount	1	SW-2501122	330156	Adjuster Knob	4	SW-330156
200175	Steering Servo Horn (For Futaba)	1	SW-2501122	330157	Brake Adjuster Knob	2	SW-330157
200176	Steering Servo Horn (For S&K)	1	SW-2501122	330159	Center CVD Join	2	SW-330159
200177	Steering Servo Horn (For Hitec)	1	SW-2501122	330160	S-System Pinion Gear 13T	2	SW-330160
200178	Servo Mount	2	SW-2501122	330162	S-System CVD draft shaft 82.5mm	1	SW-330162
200180	Throttle Servo Horn (For Futaba)	1	SW-2501122	330163	S-System CVD draft shaft 111mm	1	SW-330163
200181	Throttle Servo Horn (For S&K)	1	SW-2501122	330164	Crown Gear 43T	2	SW-330164
200182	Throttle Servo Horn (For Hitec)	1	SW-2501122	330218	S350 series Pro Shock Body 2.0 (L)	2	SW-330218
200183	Brake Servo Horn	1	SW-2501122	330219	S350 series Pro Shock Body 2.0 (S)	2	SW-330219
200159	Side Guard ( R )	1	SW-2501123	330220	S350 series Pro Shock 4mm Shaft (L)	2	SW-330220
200160	Side Guard ( L )	1	SW-2501123	330221	S350 series Pro Shock 4mm Shaft (S)	2	SW-330221
200113	Center Diff. Mount (Lower)	2	SW-2501124	330222A	S350 EVO Shock Seal Cap (GM)	4	SW-330222A
200112	Center Diff. Mount (Upper)	2	SW-2501124	330223	BK1 EVO Shock Seal Washer 3.6X7X2.5mm	4	SW-210032
200157	Fuel Tank Post	2	SW-2501125	330224	BK1 EVO Shock Seal Washer 3.6X7X1mm	4	SW-210032
200161	Fuel Tube Holder	2	SW-2501125	330226	S350 BK1 EVO Steering Knuckle Plate (L)	1	SW-330226
200163	Ail Filter Base	1	SW-2501126	330227	S350 BK1 EVO Steering Knuckle Plate (R)	1	SW-330226
200164	Ail Filter End Cap	1	SW-2501126	330249	S350 BK1 EVO Servo Saver Steering Plate	1	SW-330249
200253	S350 BX1/BR1 Rear Chassis Brace	1	SW-2501529	330252	S350 BX1/BR1 Steering Knuckle Pivot Ball Turnbuckle	4	SW-330252
200254	S350 BX1/BR1 Front Chassis Brace	1	SW-2501529	330267A	S350 EVO Aluminum Rear Lower Arm Holder (FCUSE)/SL	1	SW-330267A
200267	S350 BX1/BR1 S-System Pinion Gear Holder (Plastic)	2	SW-2501529	330268	S350 Series Black Power Lightened 7075 Rear Flat Chassis	1	SW-330268
200280	S350 BX1 Rear Lower Arm Holder Insert	1	SW-2501529	330399A	S350 Series Aluminum Rear Chassis Brace Mount	1	SW-330399A
200300	BK1 EVO Power Steering Radio Tray	1	SW-2501666	330401	S350 Series Rear Hub Carriers Hing Pin with Nu t	2	SW-330401
200301	BK1 EVO Battery Box Rear Cover	1	SW-2501666	330414	S350 Series Front Pro Shock Tower 2.0 from Lightened 7075 Aluminum	1	SW-330414

## Parts No. List

Part No.	Part Name	Q'ty in Use	Item No.
330415	S350 Series Rear Pro Shock Tower 2.0 from Lightened 7075 Aluminum	1	SW-330415
330435	S350 Professional Matel Brake Calipers 2.0 A Side	2	SW-210043
330436	S350 Professional Matel Brake Calipers 2.0 B Side	2	SW-210043
400002	O-ring S5 4.8X1.5	6	SW-400002
400005	Shock Spring Adjust Nut O-Ring	4	SW-400005
400009	Shock Boot (L)	2	SW-400009
400010	Shock Boot (S)	2	SW-400010
400011A	S350 Series Pro Shock 2.0 Soft Seal O-ring 3.8x2mm	8	SW-400011A
410023	Air Filter Adapter	1	SW-410023
410024	Switch Cover	1	SW-410024
410031	S350 Seies Hex-Cell Shock Bladder	4	SW-410031
420010	Antenna Cup	1	SW-420010
420011	Fuel Tube 300mm	2	SW-420011
510030	S-WORKz Logo Sticker	1	SW-510030
510047	S350 BK1 Evo Body Decal Sheet	1	SW-510047
610002	Diff. Gasket (0.5T)	3	SW-610002
610004	Air Filter Foam	1	SW-610004
610005	Air Filter Outer Foam	1	SW-610004
250009	S350 Falcon Style Clean Body Shell	1	SW-250009
200193	Antenna Tube	1	SW-200193
115003	Tornado Clutch Spring	3	SW-115003
115004	Servo Saver Spring	1	SW-330114
115005	Rear Sway Ball 2.8mm	1	SW-115005
115006	Rear Sway Ball 2.6mm	1	SW-115006
115007	Rear Sway Ball 3.0mm	1	SW-115007
115008	Front Sway Ball 2.3mm	1	SW-115008
115009	Front Sway Ball 2.6mm	1	SW-115009
115010	Front Sway Ball 2.8mm	1	SW-115010
115011	Pipe Spring	1	SW-330140
115015	Brake Spring	2	SW-210018
115016	Throttle Rod 50mm	1	SW-210018
115017	Throttle Rod Spring	1	SW-210018
115018	Brake Rod 60mm	2	SW-210018
115019	Body Clip	2	SW-115019
115075	S350 Shock Spring S (1.4mm x P14)(OR)	2	SW-210034
115076	S350 Shock Spring L (1.4mm x P14)(OR)	2	SW-210034
116004	Ball Bearing 6x10x3mm	4	SW-116004
116006	Ball Bearing 8x16x5mm	14	SW-116006
116010	Ball Bearing 5x10x4mm	2	SW-116010
116012	Ball Bearing 15x21x4mm	4	SW-116012
117003	Flange Ball Bearing 3x6x2.5mm	6	SW-117003
101004	Washer 3.5X10X0.2mm	12	SW-101004
101010	M3 Countersunk Washer	4	SW-101010
101013	3mm Spring Washer	4	SW-101013
101014	M3 Pivot Ball Bushing	1	SW-101014
101015	M5x8xT0.4mm	5	SW-101015
101016	M5x8xT0.8mm	1	SW-101016
101018	SHIM 8.0x10.0x0.1mm	6	SW-101018
101019	SHIM 6.0x10.0x0.2mm	2	SW-101019
101020	3mm Countersunk Washers (RD)	2	SW-101020
101021	M3x8xT0.8mm	5	SW-101021
101022	BK1 EVO Shock Piston Washer M3.4x6xT0.5mm	4	SW-101022
103001	M3 Nut Lock	20	SW-103001
103003	Flange M3 Nut Lock	4	SW-103003
103004	M2.5mm Nut Lock	2	SW-103004
104001	M5x4mm Set Screw	6	SW-104001
104004	M3x3mm Set Screw	12	SW-104004
104005	M3x4mm Set Screw	4	SW-104005
104007	M4x8mm Set Screw	4	SW-104007
104008	M4x4mm Set Screw	1	SW-104008
105001	M3x8mm Cap Screw	1	SW-105001
105004	M2.6x6mm Cap Screw	9	SW-105004
105005	M3x12mm Cap Screw	6	SW-105005
105006	M3x28mm Cap Screw	4	SW-105006
105007A	M4x8mm I-Head Screw	4	SW-105007A
105011	M3x23mm Cap Screw	2	SW-105011
106001	M3x8mm Hex Soket OH/TP Screw	2	SW-106001
106002	M3x10mm Hex Soket OH/TP Screw	6	SW-106002
106003	M3x16mm Hex Soket OH/TP Screw	6	SW-106003
106005	M3x15mm Hex Soket OH/TP Screw	13	SW-106005
106006	M3x20mm Hex Soket OH/TP Screw	3	SW-106006
106007	M3x12mm Hex Soket OH/TP Screw(HT)	7	SW-106007
106008	M3x12mm Hex Soket OH/TP Screw	8	SW-106008
106009	M3x25mm Hex Soket OH/TP Screw	4	SW-106009
106010	M3x6mm Hex Soket OH/TP Screw	33	SW-106010
106013	M2.5x8mm 1.5mmHex Soket OH/ST Screw	4	SW-106013
108001	M3x12mm FH/ST HEX Screw	22	SW-108001
108003	M3x10mm FH/ST HEX Screw	26	SW-108003
108006	M3x8mm FH/ST HEX Screw	29	SW-108006
108008	M3x35mm FH/ST HEX Screw	4	SW-108008
108009	M3x20mm FH/ST HEX Screw	4	SW-108009
108010	M4x10mm FH/ST HEX Screw	2	SW-108010
108011	M4x12mm FH/ST HEX Screw	4	SW-108011
108012	M4x16mm FH/ST HEX Screw	8	SW-108012
108013	M4x8mm FH/ST HEX Screw	1	SW-108013
108014	M3x3mm FH/ST HEX Screw	4	SW-108014
108015	M3x16mm FH/ST HEX Screw	2	SW-108015

## Spare Part List

Item No.	Part Name
SW-210002A	S350 EVO Diff Case
SW-210033A	S350 EVO Series Fuel Tank Set
SW-2501093A	S350 Series Front Lower Arm +4mm Wheel Base (L&R)
SW-2501094A	S350 EVO Rear Lower Arm Set (L&R)
SW-2501095	S350 Rear Hub Carrier Set (L&R)
SW-2501096	S350 Full Arm Holder Set (7pc)
SW-2501097	S350 Wing Stay Set with Bumper
SW-2501098	S350 Front Steering Knuckle Set (L&R)
SW-2501099	S350 R/F Insert, Brake, Throttle Linkage Linkage Holder
SW-2501100	S350 Pivot Ball Cup, Caster Insert Set
SW-2501113	S350 Front Upper Arm Set (L&R)
SW-2501114	S350 Gear Box Set (F&R)
SW-2501115	S350 Rear Lower Arm Dusty Cover with Fuel Sprinkle Guard
SW-2501116	S-WORKz High Done Force Wing Set (BK)(Fit S350)
SW-2501121	S350 Ball End Set with Shock Plastic Parts (2 Set)
SW-2501122	S350 Settring Bellcrank Set with Servo Horn Set
SW-2501123	S350 Side Guard Set (L&R)
SW-2501124	S350 Center Diff. Mount Set (2 Set)
SW-2501126	Ail Filter Set
SW-300017	Brake Disc
SW-320003	Diff. Bevel Gear 18T
SW-320004	Diff. Bevel Gear 10T
SW-330006	Tornado Clutch Shoes
SW-330008	Tornado Fly Wheel Set
SW-330013	Bevel Gear Shaft
SW-330014	Front/Rear Diff. Outdrive
SW-330015	Pin M2.2x9.9mm
SW-330017	Center Diff. Outdrive
SW-330018	46T SPUR GEAR
SW-330086	Front Lower Suspension Plate
SW-330091	Settring BellcrankPlate
SW-330100A	S350 Sseries Engine Mount Set (HC)
SW-330103	Front/Rear Lower Arm HingPin
SW-330104	Brake Cam (S)
SW-330105	Brake Cam (L)
SW-330106	Brake Cam
SW-330109	F/R Drive Shaft 93.5mm
SW-330110	CVD Join
SW-330111	Pin M2.5x14.8mm
SW-330112	CVD Axle
SW-330113	Servo Saver Shaft
SW-330114A	S350 Sseries Servo Saver Post (HC)
SW-330117	Knuckle Pivot Ball Washer
SW-330118	Knuckle Pivot Ball Nut
SW-330119	Front Upper Arm HingPin
SW-330121A	S350 Wheel Hub (HC)
SW-330122A	S350 Wheel Nut (HC)
SW-330123A	S350 EVO Rear Upper Sus. Arm Turnbuckles M5x38mm
SW-330124	Pin M3.0x16.8mm
SW-330125	Rear Upper Sus. Arm Ball Stud
SW-330126A	S350 EVO Steering Turnbuckle M4x40mm
SW-330127	Steering Linkage Ball Stud 7mm
SW-330131A	S350 Shock Spring Adjust Nut (GM)
SW-330134	Shock Ball Stud
SW-330136	Sway Bar Ball Stud
SW-330137	Clutch Bell 13T
SW-330138A	S350 EVO Shock Cap Stud
SW-330139A	S350 Shock Cap (GM)
SW-330140	Pipe Holder
SW-330155	Steering Servo Turnbuckle (M3x30mm)
SW-330156	Adjuster Knob
SW-330157	Brake Adjuster Knob
SW-330159	Center CVD Join
SW-330160	S-System Pinion Gear 13T
SW-330162	S-System CVD draft shaft 82.5mm
SW-330163	S-System CVD draft shaft 111mm
SW-330164	Crown Gear 43T
SW-330218	S350 series Pro Shock Body 2.0 (L)
SW-330219	S350 series Pro Shock Body 2.0 (S)
SW-330220	S350 series Pro Shock 4mm Shaft (L)
SW-330221	S350 series Pro Shock 4mm Shaft (S)
SW-330222A	S350 EVO Shock Seal Cap (GM)
SW-210032	S350 series Pro Shock Seal Kit 2.0
SW-330226	S350 BK1 EVO Steering Knuckle Plate (L&R)

## Spare Part List

Item No.	Part Name
SW-330249	S350 BK1 EVO Servo Saver Steering Plate
SW-330252	S350 BX1/BR1 Steering Knuckle Pivot Ball Turnbuckle
SW-330267A	S350 EVO Aluminum Rear Lower Arm Holder (FC USE)(SL)
SW-330268	S350 Series Black Power Lightened 7075 Rear Flat Chassis
SW-330399A	S350 Series Aluminum Rear Chassis Brace Mount(SL)
SW-330401	S350 Series Rear Hub Carriers Hing Pin with Nut
SW-330414	S350 Series Front Pro Shock Tower 2.0 from Lightened 7075 Aluminum
SW-330415	S350 Series Rear Pro Shock Tower 2.0 from Lightened 7075 Aluminum
SW-330439	BK1 EVO Shock Piston 1.3mmX5 Holes
SW-210043	S350 Professional Matel Brake Calipers 2.0 Set
SW-400002	O-ring S5 4.8X1.5
SW-400005	Shock Spring Adjust Nut O-Ring
SW-400009	Shock Boot (L)
SW-400010	Shock Boot (S)
SW-400011A	S350 Series Pro Shock 2.0 Soft Seal O-ring 3.8x2mm
SW-410023	Air Filter Adapter
SW-410024	Switch Cover
SW-410031	S350 Seies Hex-Cell Shock Bladder
SW-420011	Fuel Tube 300mm
SW-510030	S-WORKz Logo Sticker
SW-510047	S350 BK1 Evo Body Decal Sheet
SW-610002	Diff. Gasket (0.5T)
SW-610004	Air Filter Foam Set
SW-250009	S350 Falcon Style Clean Body Shell
SW-200193	Antenna Tube
SW-115003	Tornado Clutch Spring
SW-330114	Servo Saver Spring
SW-115005	Rear Sway Ball 2.8mm
SW-115006	Rear Sway Ball 2.6mm
SW-115007	Rear Sway Ball 3.0mm
SW-115008	Front Sway Ball 2.3mm
SW-115009	Front Sway Ball 2.6mm
SW-115010	Front Sway Ball 2.8mm
SW-210018	Throttl Linkage Set
SW-115019	Body Clip
SW-210034	S350 Long Pitch Shock Spring Set (1.4mm x P16)(OR)
SW-116004	Ball Bearing 6x10x3mm
SW-116006	Ball Bearing 8x16x5mm
SW-116010	Ball Bearing 5x10x4mm
SW-116012	Ball Bearing 15x21x4mm
SW-117003	Flange Ball Bearing 3x6x2.5mm
SW-101004	Washer 3.5X10X0.2mm
SW-101010	M3 Countersunk Washer
SW-101013	3mm Spring Washer
SW-101014	M3 Pivot Ball Bushing
SW-101015	M5x8xT0.4mm
SW-101016	M5x8xT0.8mm
SW-101018	SHIM 8.0x10.0x0.1mm
SW-101019	SHIM 6.0x10.0x0.2mm
SW-101020	3mm Countersunk Washers (RD)
SW-a	M3x8xT0.8mm
SW-101022	BK1 EVO Shock Piston Washer M3.4x6xT0.5mm
SW-103001	M3 Nut Lock
SW-103003	Flange M3 Nut Lock
SW-103004	M2.5mm Nut Lock
SW-104001	M5x4mm Set Screw
SW-104004	M3x3mm Set Screw
SW-104005	M3x4mm Set Screw
SW-104007	M4x8mm Set Screw
SW-104008	M4x4mm Set Screw
SW-105001	M3x8mm Cap Screw
SW-105004	M2.6x6mm Cap Screw
SW-105005	M3x12mm Cap Screw
SW-105006	M3x28mm Cap Screw
SW-105007A	M4x8mm I-Head Screw
SW-105011	M3x23mm Cap Screw
SW-106001	M3x8mm Hex Soket OH/TP Screw
SW-106002	M3x10mm Hex Soket OH/TP Screw
SW-106003	M3x16mm Hex Soket OH/TP Screw
SW-106005	M3x15mm Hex Soket OH/TP Screw
SW-106006	M3x20mm Hex Soket OH/TP Screw
SW-106007	M3x12mm Hex Soket OH/TP Screw(HT)
SW-106008	M3x12mm Hex Soket OH/TP Screw
SW-106009	M3x25mm Hex Soket OH/TP Screw

Item No.	Part Name
SW-106010	M3x6mm Hex Soket OH/TP Screw
SW-106013	M2.5x8mm 1.5mmHex Soket OH/ST Screw
SW-108001	M3x12mm FH/ST HEX Screw
SW-108003	M3x10mm FH/ST HEX Screw
SW-108006	M3x8mm FH/ST HEX Screw
SW-108008	M3x35mm FH/ST HEX Screw
SW-108009	M3x20mm FH/ST HEX Screw
SW-108010	M4x10mm FH/ST HEX Screw
SW-108011	M4x12mm FH/ST HEX Screw
SW-108012	M4x16mm FH/ST HEX Screw
SW-108013	M4x8mm FH/ST HEX Screw
SW-108014	M3x3mm FH/ST HEX Screw
SW-108015	M3x16mm FH/ST HEX Screw

## Option Part List

Item No.	Part Name
SW-116006A	High Performance Rubber Cover Ball Bearing 8x16x5mm (10pc)
SW-116010B	High Performance Ball Bearing 5x10x4mm(coffee)(4pc)
SW-116012A	High Performance Rubber Cover Ball Bearing 15x21x4mm(8pc)
SW-210024	S350 Series F/R Diff. Set (43T)
SW-210025	S350 Series Center Diff. Set (46T)
SW-210026	S350 series Pro Shock 2.0 Front Set(w/o spring)
SW-210027	S350 series Pro Shock 2.0 Rear Set(w/o spring)
SW-210029	S350 series Long Pitch Shock Spring Set (1.5mm x P14)(SB)
SW-210030	S350 series Long Pitch Shock Spring Set (1.5mm x P16)(GR)
SW-2501093AH	S350 Series Front Lower Arm +4mm Wheel Base Hard Set (L&R)
SW-2501094AH	S350 Series Rear Lower Arm Hard Set (L&R)
SW-2501113AH	S350 Series Front Upper Arm Hard Set (L&R)
SW-2501116A	S-WORKz High Done Force Wing Set (BK)
SW-2501116AFY	S-WORKz High Done Force Wing Set (FY)
SW-2501116AWH	S-WORKz High Done Force Wing Set (WH)
SW-2501118	S350 Wheel Dusty Cover Set
SW-330090	Center Diff. Plate
SW-330115	Steering Knuckle Pivot Ball Turnbuckle
SW-330116	14mm Knuckle Pivot Ball
SW-330152	Aluminum Rear Chassis Brace
SW-330153	Aluminum Front Chassis Brace
SW-330165	S350 45T SPUR GEAR
SW-330166	S350 SERIES 47T SPUR GEAR
SW-330204	SWORKz Clutch Bell 14T
SW-330210	S350 Aluminum Front Upper Arm Holder
SW-330216	S350 Series PSP Aluminum Receiver Box Cover
SW-330217	S350 Series PSP Aluminum Battery Box Cover
SW-330225	S350 series Pro Shock 2.0 Piston 1.2mmX8 Holes
SW-330242	S350 Series Lightened Aluminum CVD Axle (2pc)
SW-330243	SWORKz 3x18mm Shock Hex Screw Set (Anti-Clockwise)
SW-330266	S350 Series Aluminum Changable Rear Lower Arm Plate (FC USE)
SW-330272	S350 series Pro Shock 2.0 Piston 1.3mmX6 Holes
SW-330273	S350 EVO Pinion Gear 12T
SW-330274	S350 EVO Crown Gear 42T
SW-330276	S350 EVO X-Pinion Gear 12T
SW-330394	S350 series FC Aluminum Rear Lower Arm Plate (0-3.0 D)
SW-330395	S350 series FC Aluminum Rear Lower Arm Plate (0-2.5 D)
SW-330398	SWORKz Pro Wheel Nut
SW-330407	S350 series PSP Aluminum Throttl Linkage Arm Set
SW-330420	S350 Series Knuckle Pivot Ball Balance Nut (5.5g) (2pc)
SW-330421	S350 Series Front Wheel Hub Balance Weight (10g)(L)
SW-330422	S350 Series Front Wheel Hub Balance Weight (10g)(R)
SW-330423	S350 Series Aluminum Steering Bellcrank Upper ( R )
SW-330424	S350 Series Aluminum Wing Holder
SW-330474	S350 Series Rear Wheel Hub Balance Weight Lower (8g) (2pc)
SW-330475	S350 Series Rear Wheel Hub Balance Weight Lower (5g)(2pc)



**Speedmaster Hobby CO., LTD.**

TEL:+886-3-538-7638

FAX:+886-3-538-7328

1F., No.18, Aly. 32, Ln. 251, Niupu E. Rd., Xiangshan Dist.,  
Hsinchu City 300, Taiwan (R.O.C.)