

S14-2

1/10 Off Road Racing Electric Buggy



SWORKz S14-2

INSTRUCTION MANUAL



S14-2

1/10 Off Road Racing Electric Buggy

INSTRUCTION

Based on the success of the S104 EVO, SWORKz further developed and improved their 1/10 off road buggy and came up with the S14-2.

The S14-2 is the top SWORKz 1/10th electric buggy at this moment. It is based on the S104 EVO unique front pivot ball design with new front and rear suspension. Now equipped with a 12mm hex wheel adapter.

The S14-2 newly designed rear arms are made from a stronger standard nylon material. Optional carbon covers are available to adjust the arm's stiffness.

The T-7075 aluminum chassis with its new center twist system gives more rear grip. Matched with a new rear upper carbon deck giving the buggy more traction. .

The S14-2 includes high quality parts, a refined shock system and many option parts.

Many SWORKz Factory Team Option Parts are included in this pro kit.

SWORKz utilizes only the highest quality materials and industry leading manufacturing processes resulting in a faster, stronger, and more reliable vehicle. The S14-2 Pro Kit is designed to win races.

Congratulations on your purchase of the new SWORKz S104 EVO 1/10 scale off-road racing buggy pro kit.

Please read this manual thoroughly before you attempt to drive your S104 EVO. This manual contains step-by-step instructions to help you complete, prepare for startup, and fine-tune your Buggy. Updates, setups, and product news will be posted on our website (www.sworkz.com), so check often.

As always, if you should have any questions or need help with your S104 EVO, please feel free to contact our official SWORKz dealers and distributors, as they will be glad to help you. You may also contact us at any time for the most up to date information and support.

S14-2 Pro Kit Features :

1. Standard SWORKz X-System transmission gear system.
2. New Big Bore Shocks.
3. New Stronger Carbon Fiber shock towers with New Geometry Shock Positions.
4. SWORKz T-7075 aluminum chassis with its new center twist system design.
5. New Stronger Material arms.
6. New Centre Gear Diff System.
7. Aluminum Easy Fit Motor Holder with Center Diff. Mount.
8. 12mm Hex Wheel Hub system
9. Pivot Ball Steering System
10. New Adjustable Steering Plate with New Bell Crank System.
11. Full aluminum arm holders and toe in plates.
12. Fully adjustable rear toe in plate system.

Specification	
Length:	385mm
Width:	248mm
Height:	158mm
Ground Clearance:	48mm
Wheelbase:	275-278mm
Track:	F:223mm / R:228mm
Gear Ratio:	C:87T/20T, F/R 42/17T
Weight:	1720g~1820g



WARRANTY

Your SWORKz S14-2 kit warranty covers workmanship and manufacturing defects of the original and unmodified parts. Warranty claims resulting from crashes, abuse, improper operation, improper mounting, improper adjustment or lack of maintenance will not be honored.

Contact your local hobby shop or SWORKz distributor for all claims and questions. Claims must be well documented. All Claims are subject to expert examination approval by SWORKz



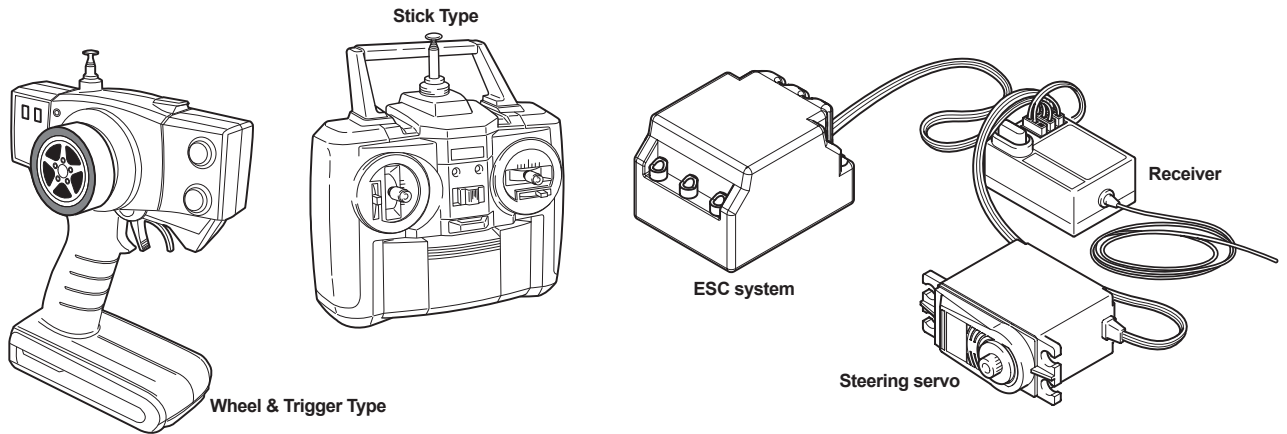
Instruction	2
Warranty	3
Index	4
Required equipment for operation	5
Operation guide	6
Assembly steps	7-32
Blank set-up sheet	33-34
Set-up sheet	35
S14-2 key no. list	36-37
S14-2 spare part list	38-39
S14-2 option parts list	39



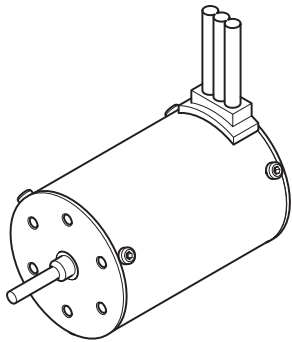
**This radio control racing car is not a toy!
This high-performance R/C model is recommended for ages
14 and older.**

Required Equipment for Operation

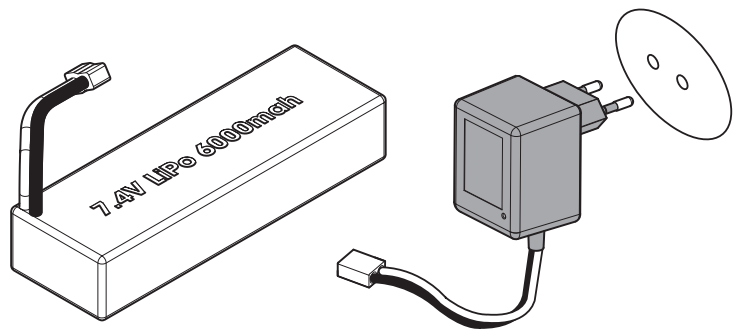
Radio Gear



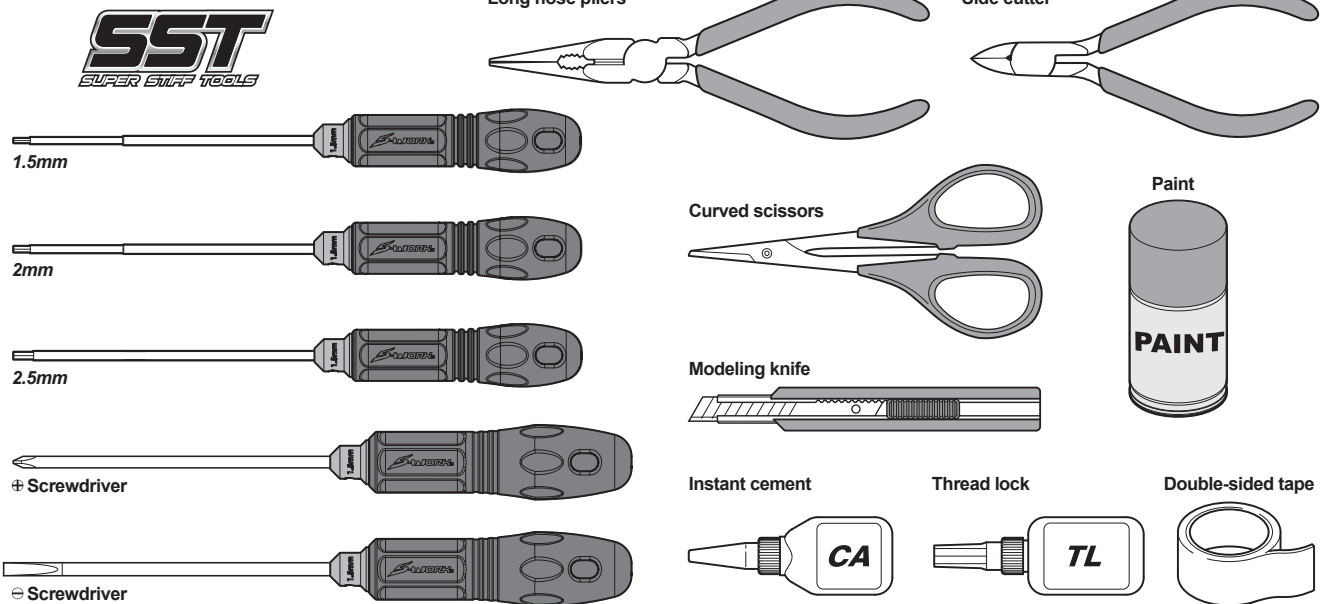
Breshless Motor



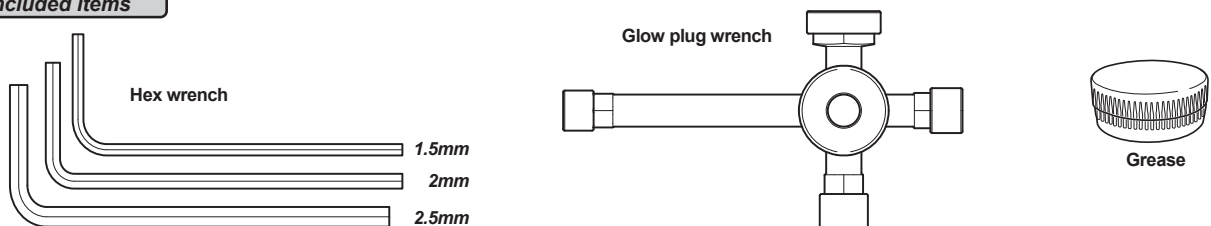
Charger and LiPo Battery



Tools Recommended



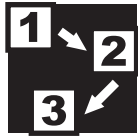
Included items



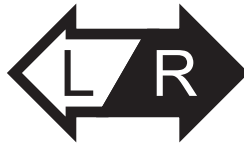
Operation Guide



Assemble front and rear



Assemble in the specified order



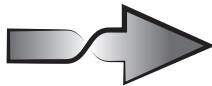
Assemble both left and right sides



Assemble for 2 sets



Assemble for 4 sets



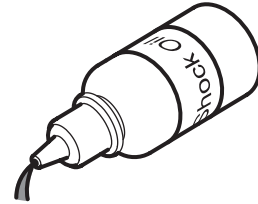
overturn



Thread Locking Compound



Grease



Pure Silicone Oil

Safety Precautions

The SWORKz S14-2 is a high performance radio control model which needs to be operated with caution and common sense.

The S14-2 Pro Kit is not intended for children under the age of 14 without adult supervision. SWORKz shall not be held liable for any loss or damages, whether direct, indirect, act of nature, arising from abuse or misuse of this product or any other product required.

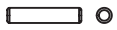
- The LiPO Battery can be dangerous if improperly handled.
- Always keep your LiPO Battery in a cool area and never use it near flames, sparks, or while smoking.
- Keep your LiPO Battery, and all other flammables, out of the reach of children.
- After running your car, all parts of the Motor and ESC can become extremely hot. Be careful not to touch these parts.
- This model is controlled by your radio controller and can be vulnerable to interference from many outside sources. This interference can cause a loss of control so it is necessary to operate this model in an open area to avoid personal or property damage. Always ensure turning on your radio first.
- Keep all the products included in the package out of the reach of children.
- This model contains many fast rotating parts. Never touch them during operation.
- Follow the instructions included with your radio gear.
- Never operate your model near people or property. The speed of this model has the potential to injure people and or damage property if misused.
- Always use original SWORKz spare parts and option parts.
- Always ensure that the buggy is in proper working condition before use.
- Always exercise caution when using any tools.

BAG B

1

F
R

x2



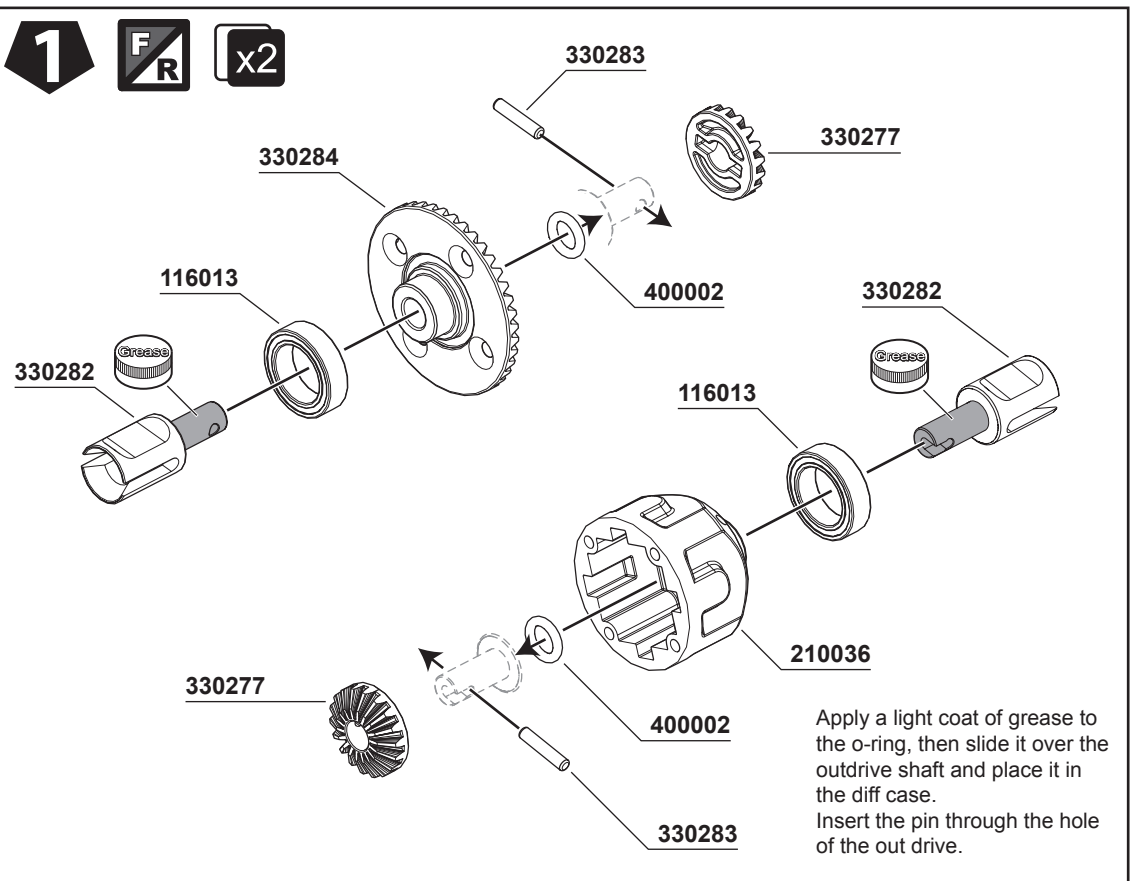
330283
Pin M2x10mm **x4**



400002
O-ring S5 4.8x1.5 **x4**



116013
Ball Bearing 10x15x4mm **x4**



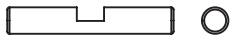
2

F
R

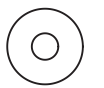
x2



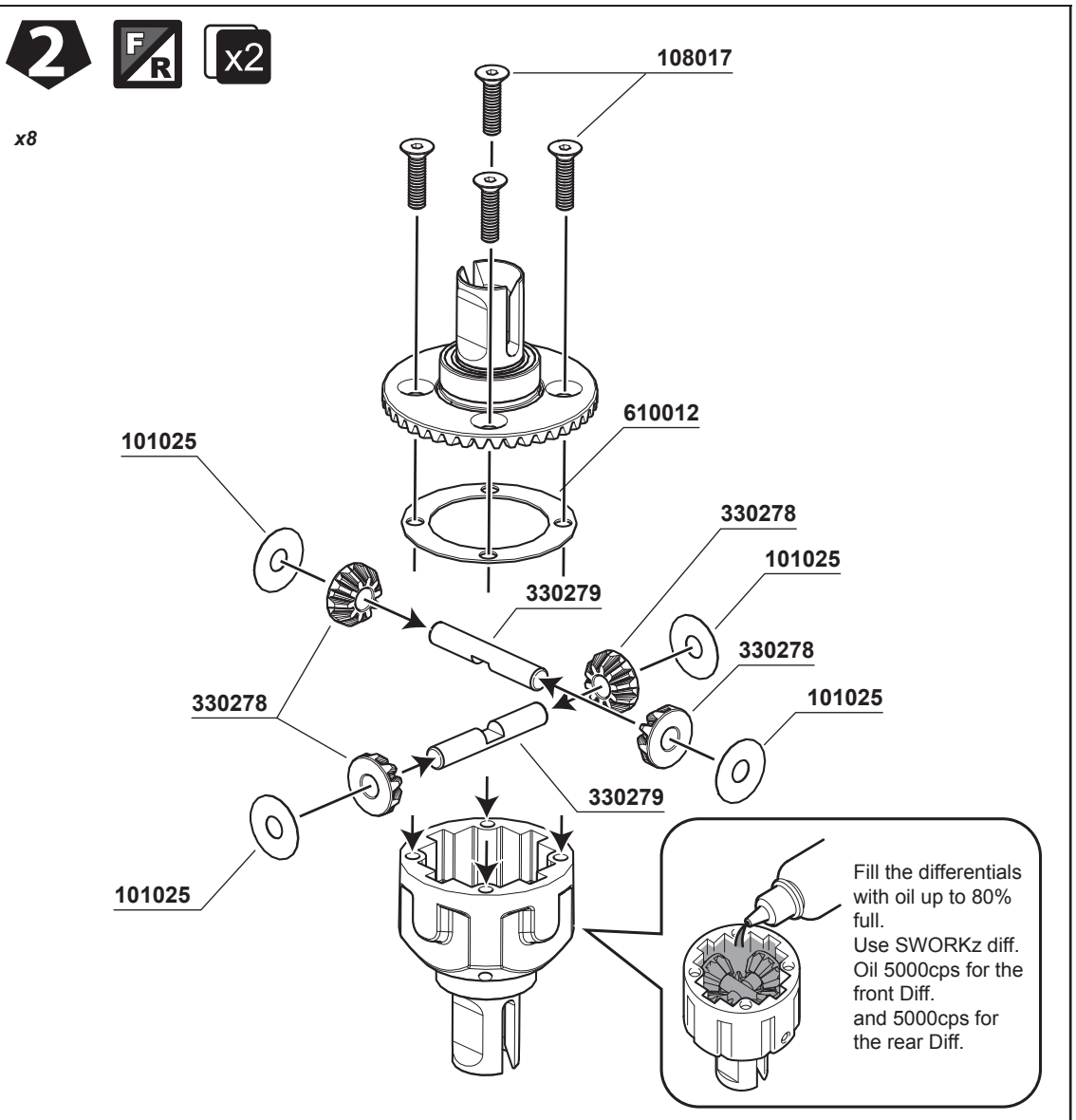
108017
M2.6x10mm FH/ST HEX Screw **x8**



330279
Bevel Gear Shaft **x4**



101025
Shim 3.5x10x0.1mm **x8**

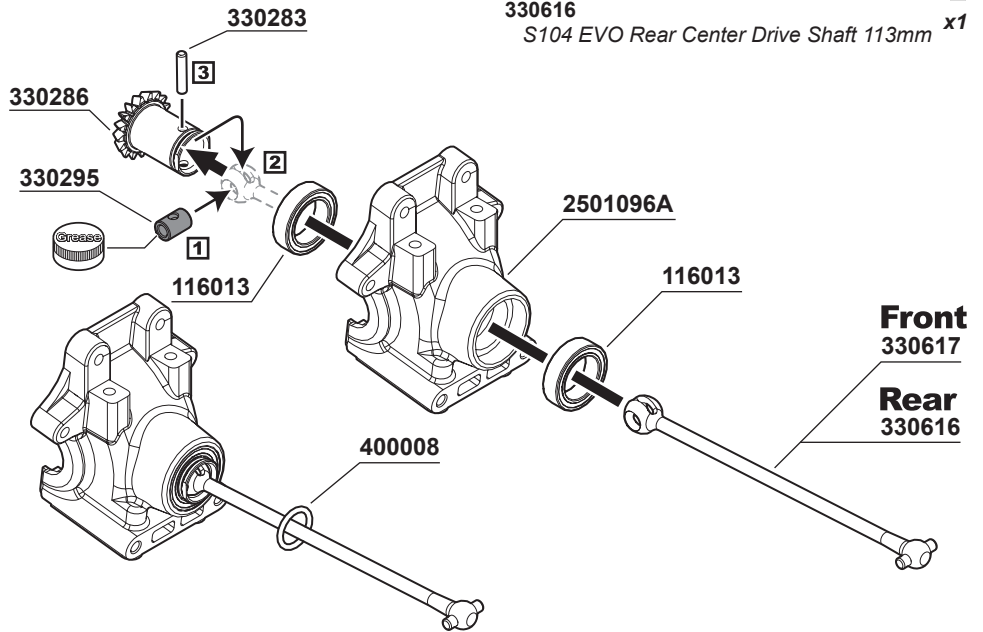
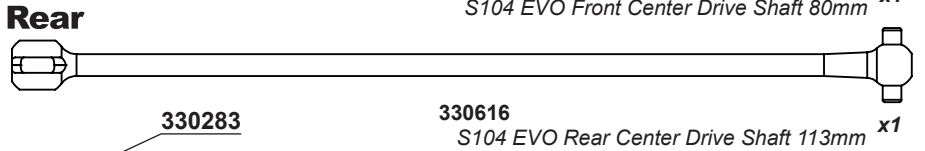
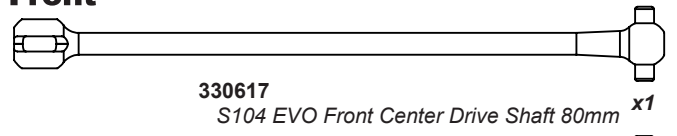


330283
Pin M2x10mm x2

330295
CVD Join x2

400008
O-ring for Pinion Gear x2

116013
Ball Bearing 10x15x4mm x4

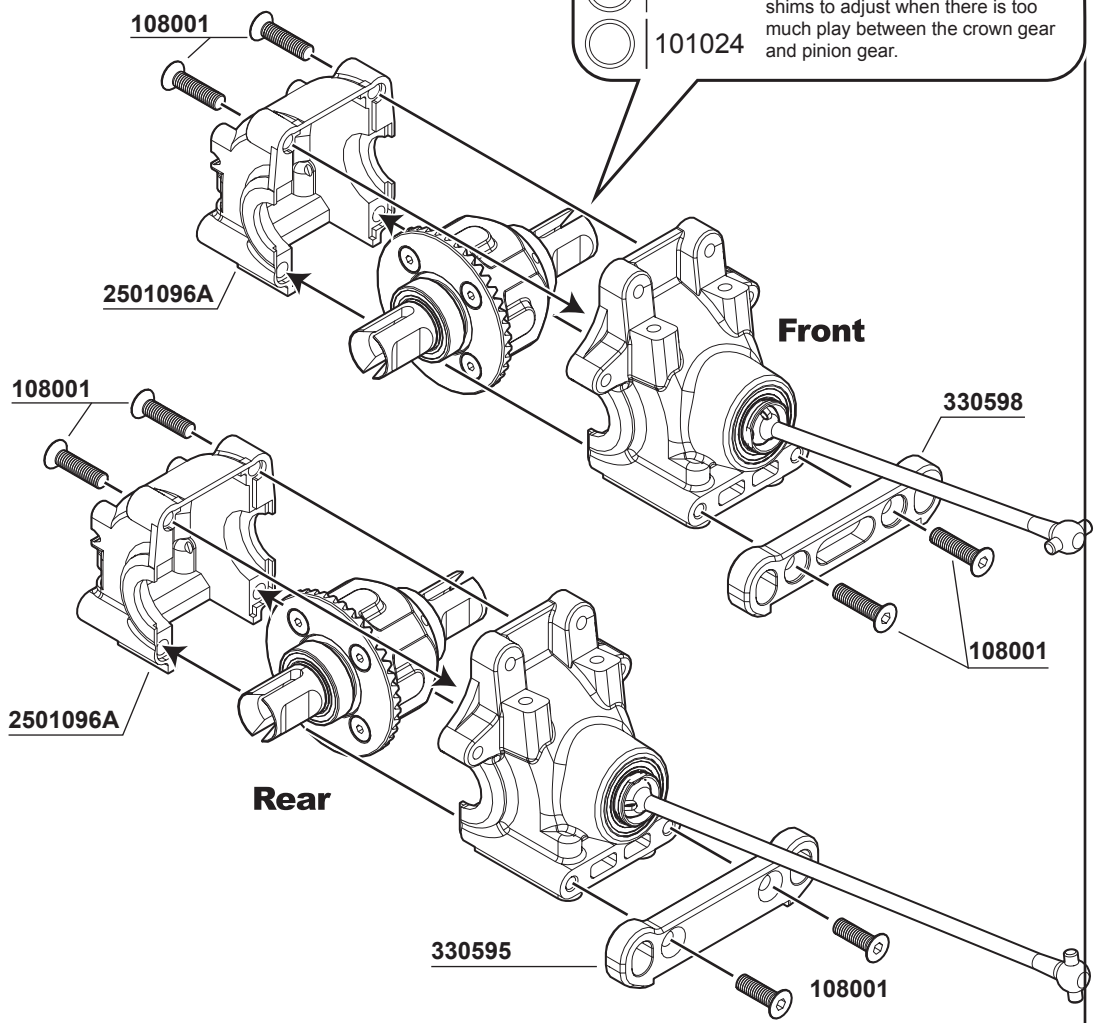


108001
M3x12mm FH/ST HEX Screw x8

101023
10x12x0.1mm S104 Shim x6

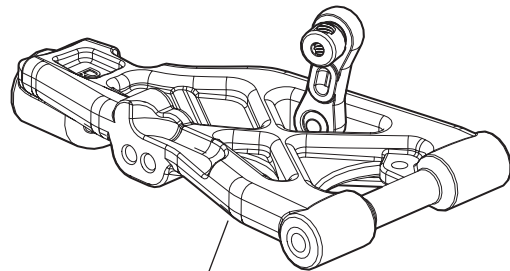
101024
10x12x0.2mm S104 Shim x2

101023 Use 10x12x0.1mm or 10x12x0.2mm shims to adjust when there is too much play between the crown gear and pinion gear.
101024



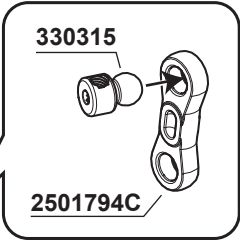


330315
Sway Bar Ball Stud **x2**



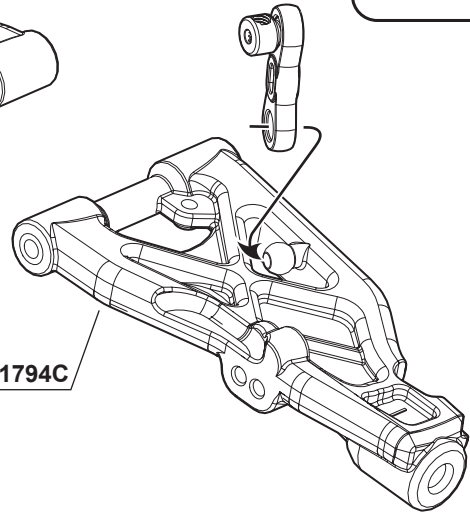
2501794C

Front



330315

2501794C



2501794C

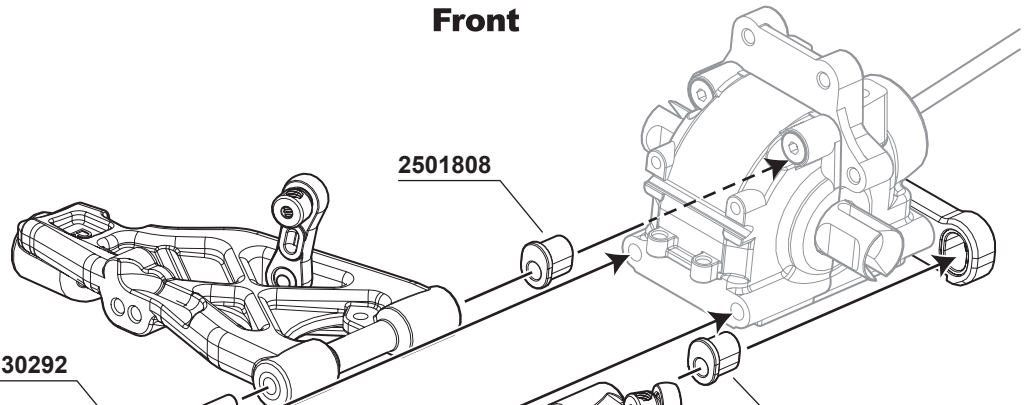


108018
M3x30mm FH/ST HEX Screw **x2**



330292
Front/Rear Lower Arm Hing Pin **x2**

Front



2501808

330292

2501808

2501808

108018

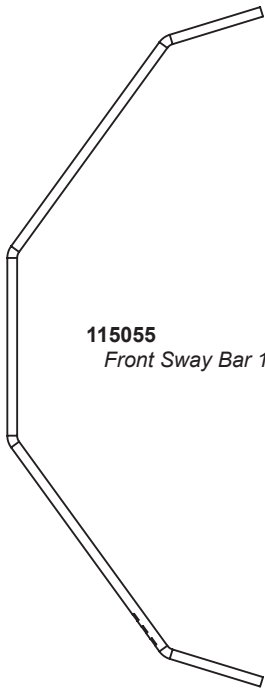
330292

2501808

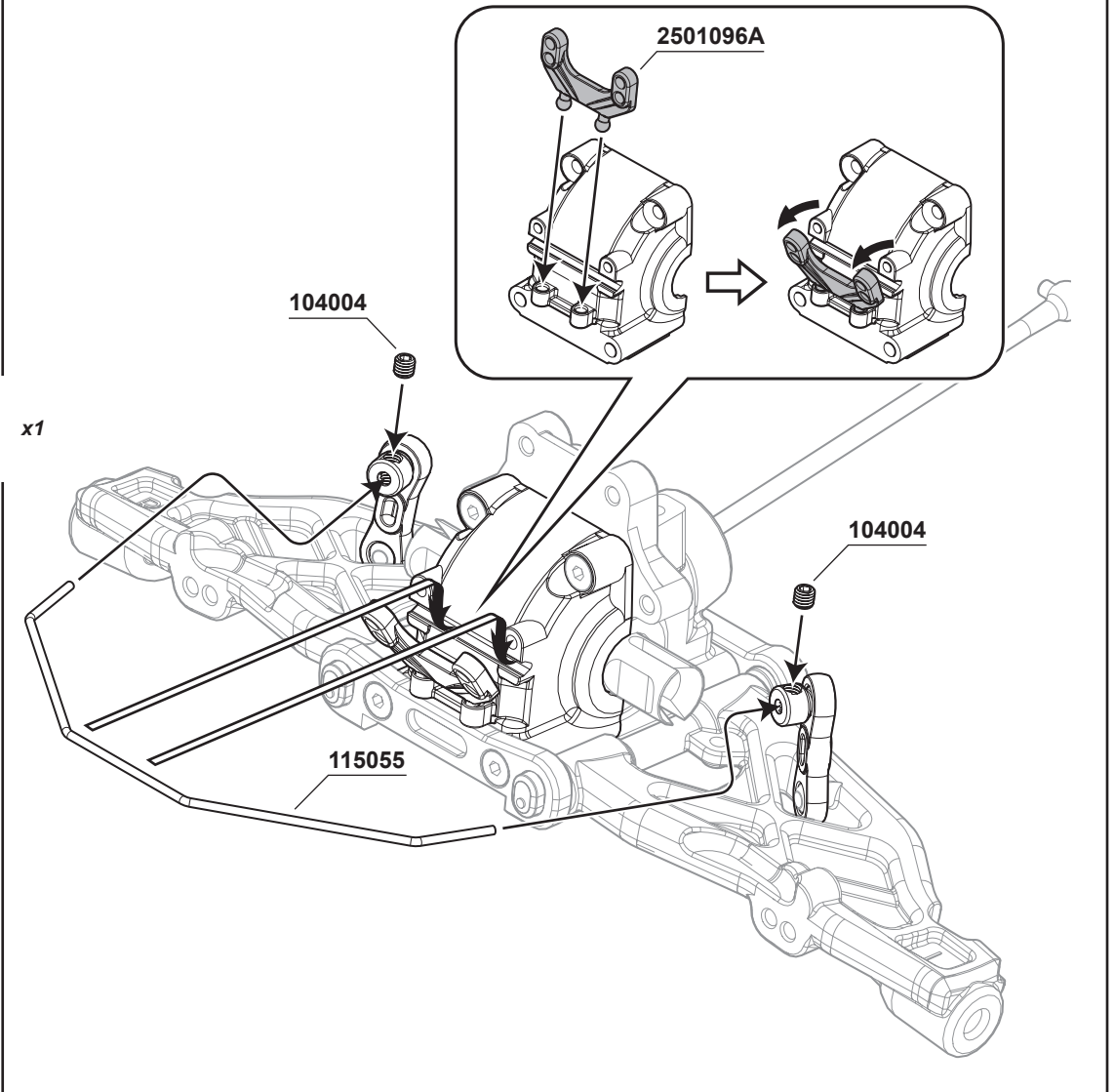
108018

330606

104004
M3x3mm Set Screw x2

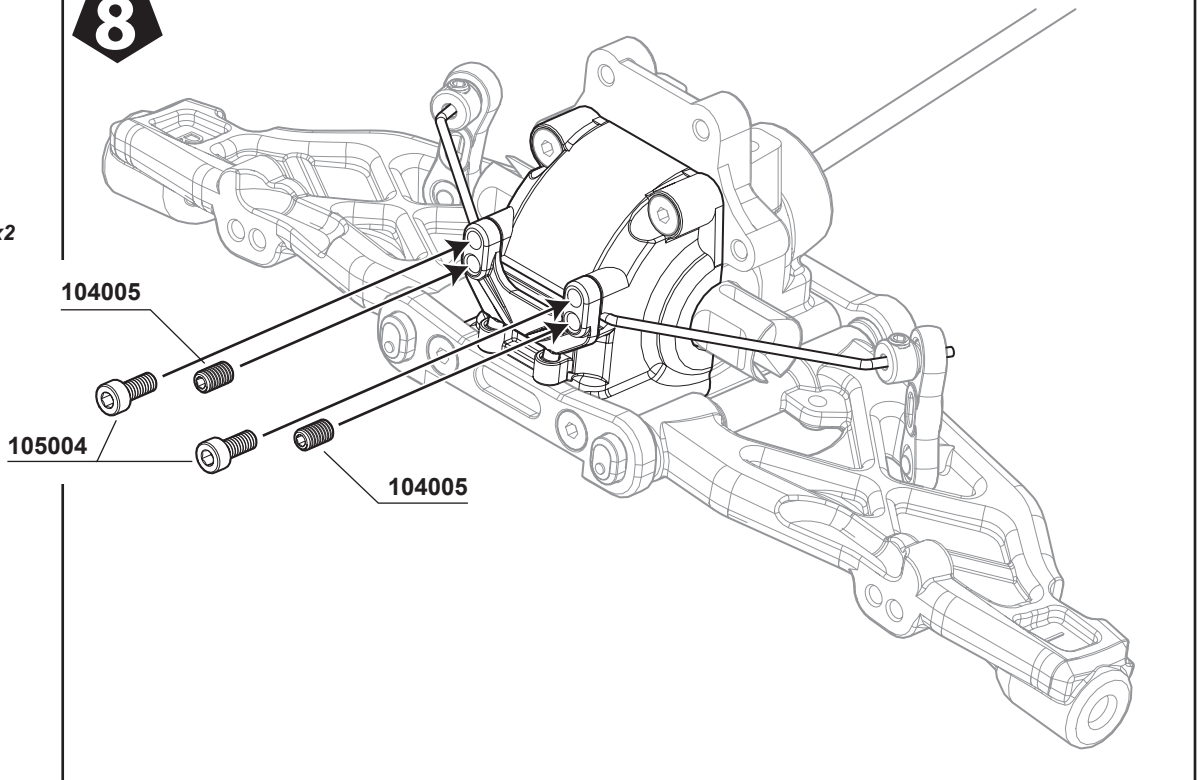


115055
Front Sway Bar 1.3mm x1



104005
M3x4mm Set Screw x2

105004
M2.6x6mm Cap Screw x2



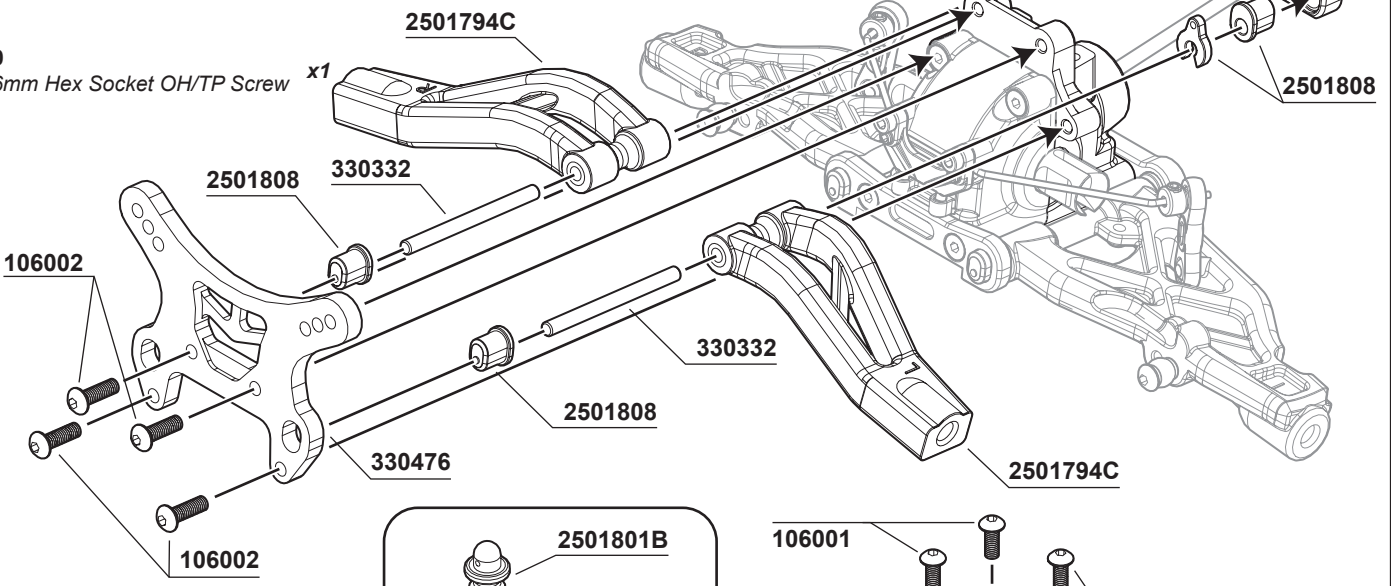
330332
Front Upper Arm Hing Pin x2

106010
M3x6mm Hex Socket OH/TP Screw x1

330342A

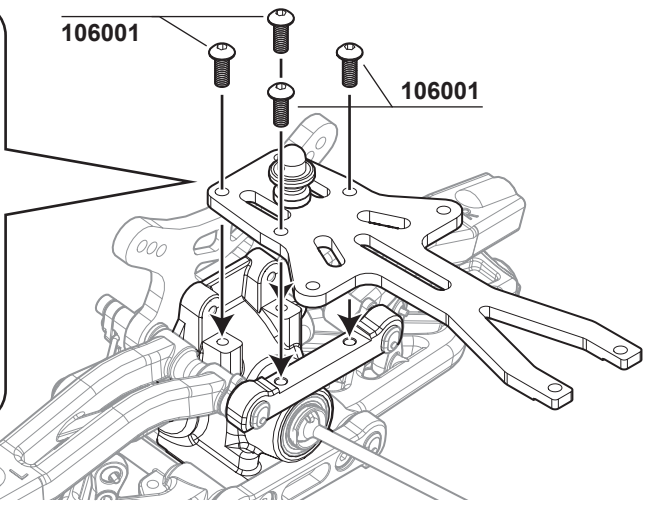
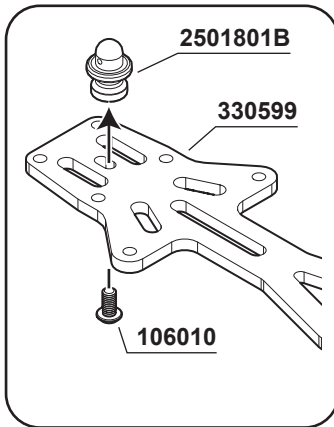
2501808

2501808

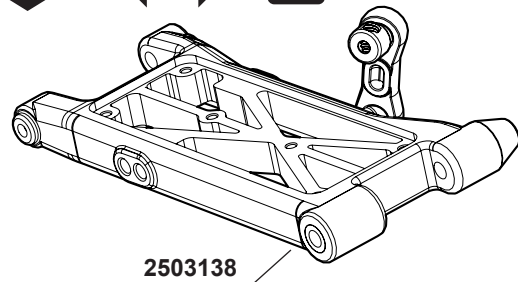


106001
M3x8mm Hex Socket OH/TP Screw x4

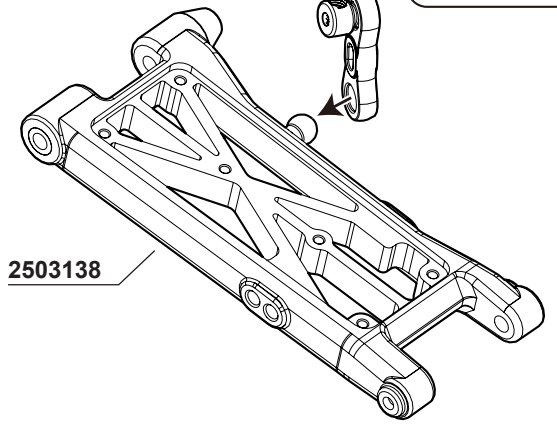
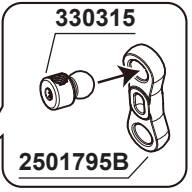
106002
M3x10mm Hex Socket OH/TP Screw x4



330315
Sway Bar Ball Stud x2



Rear

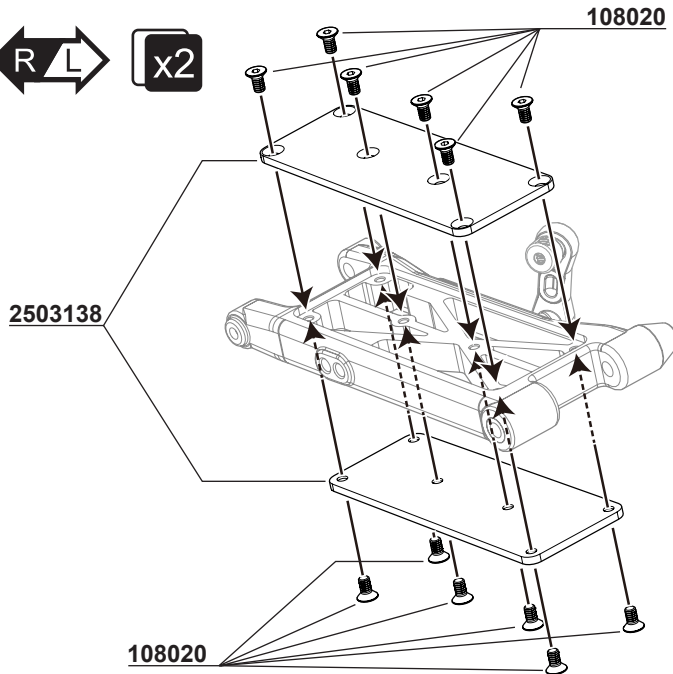


11

R L **x2**



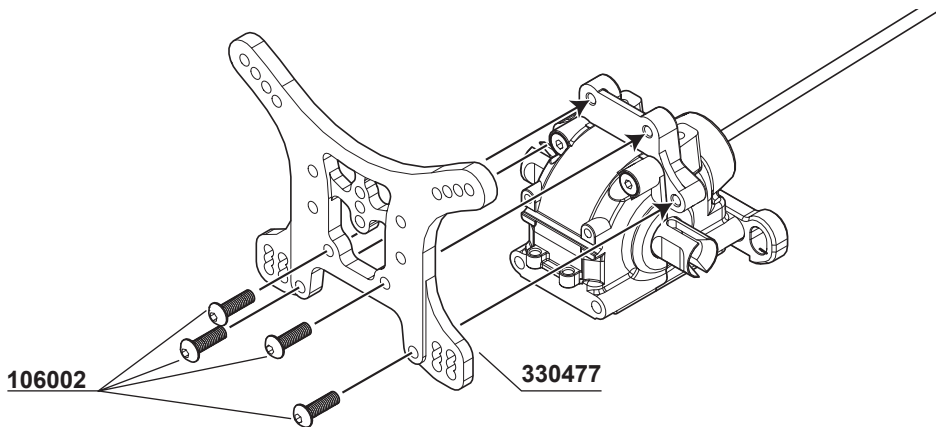
108020
M2x4mm FH/ST HEX Screw x24



12



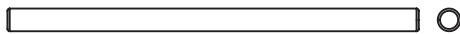
106002
M3x10mm Hex Socket OH/TP Screw x4



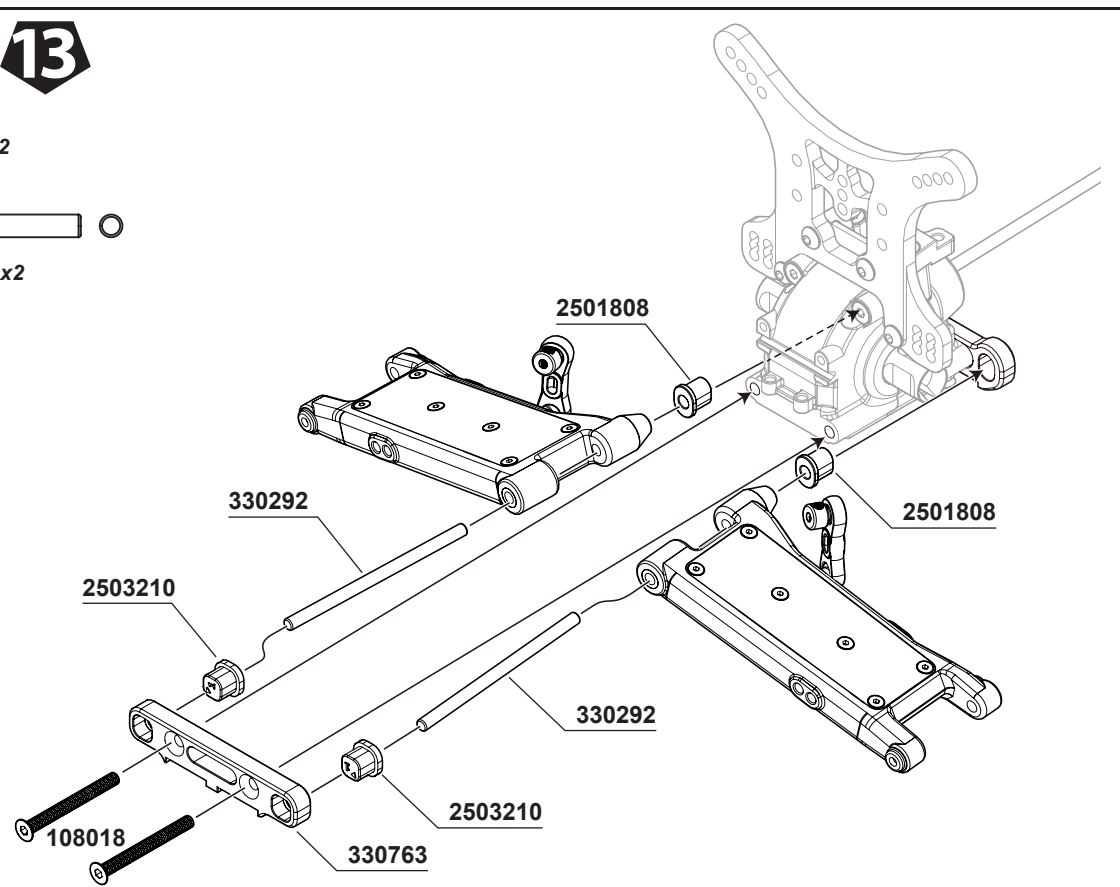
13




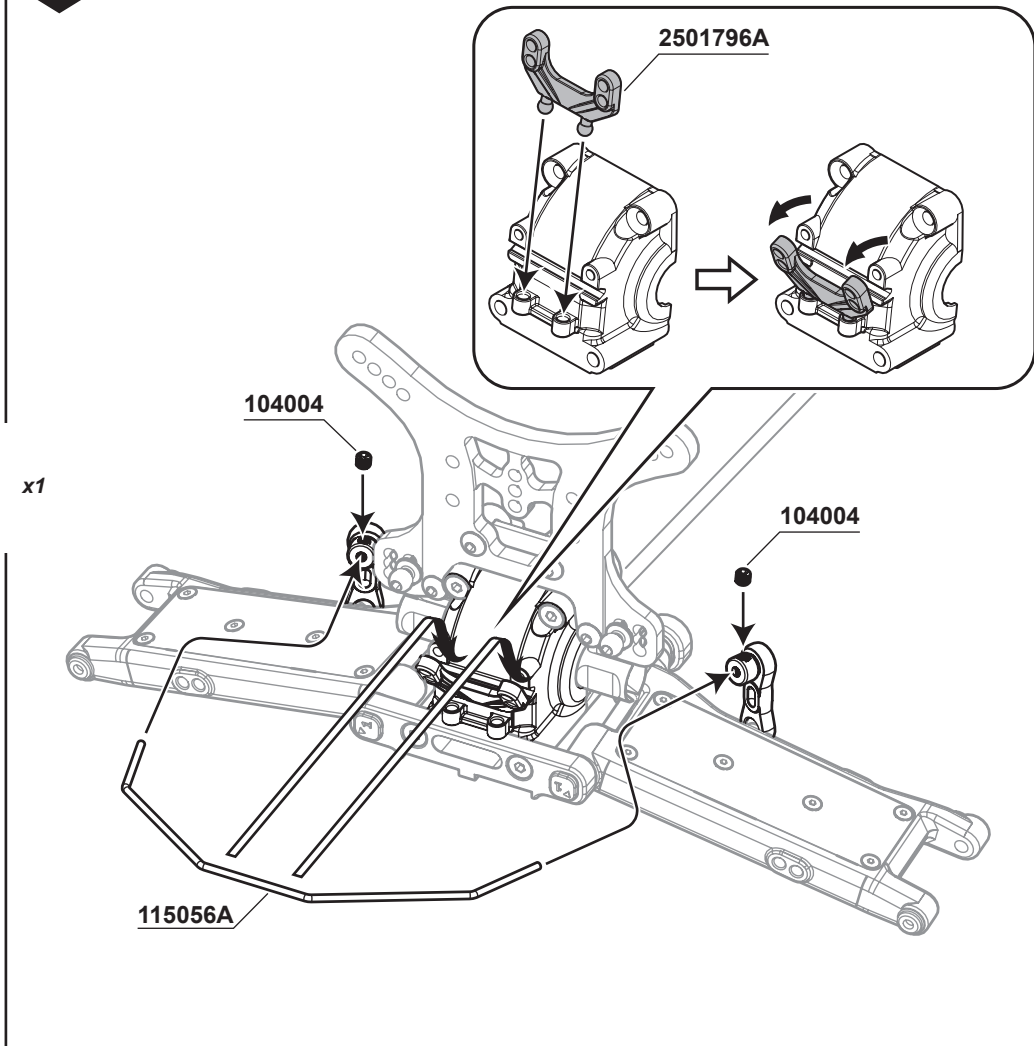
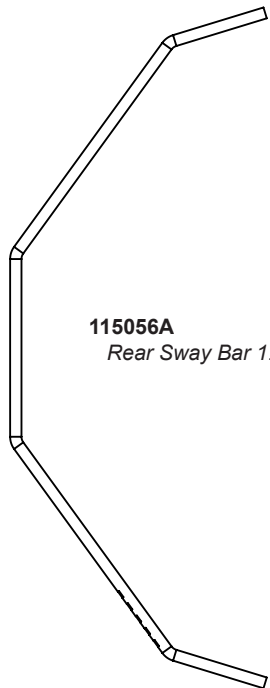
108018
M3x30mm FH/ST HEX Screw x2



330292
Front/Rear Lower Arm Hing Pin x2



-  **104004**
M3x3mm Set Screw x2



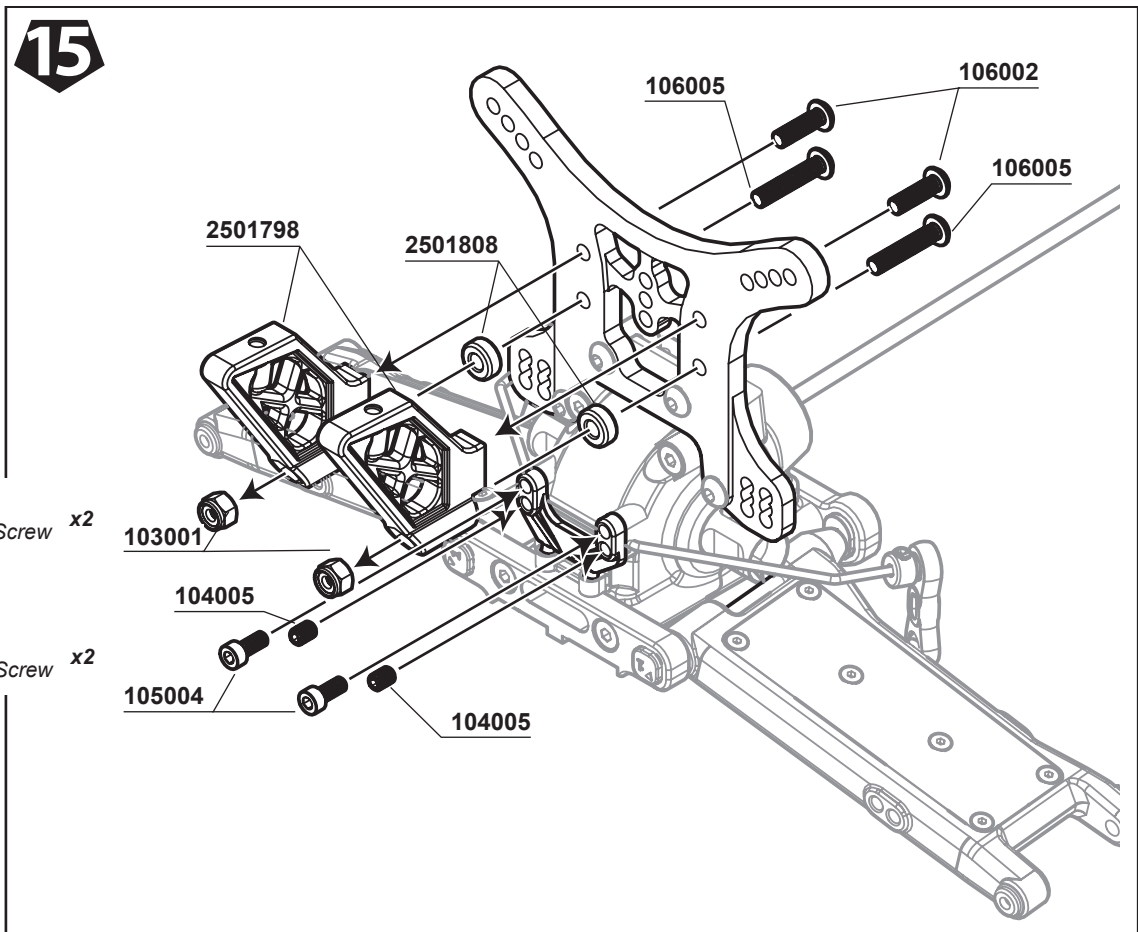
-  **104005**
M3x4mm Set Screw x2

-  **105004**
M2.6x6mm Cap Screw x2

-  **103001**
M3 Nut Lock x2

-  **106002**
M3x10mm Hex Socket OH/TP Screw x2

-  **106005**
M3x15mm Hex Soked OH/TP Screw x2





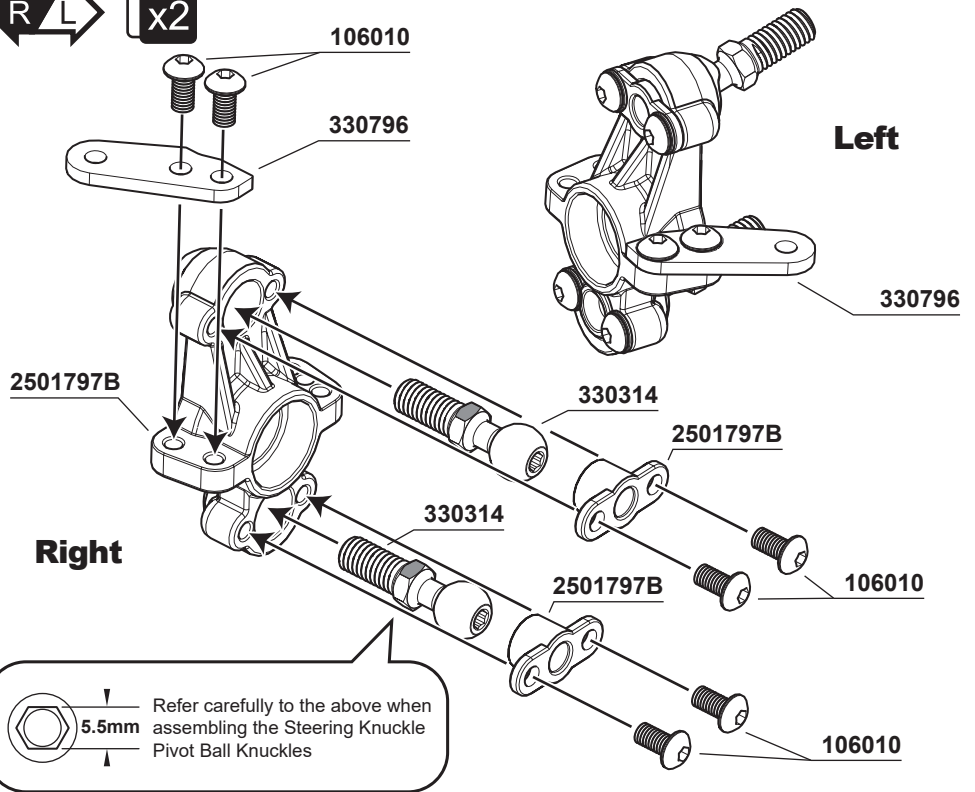
x2



106010
M3x6mm Hex Socket OH/TP Screw x12



330314
Steering Knuckle Pivot Ball Turnbuckle x4



x2



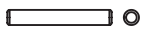
104008
M4x4mm Set Screw x2



330295
CVD Join x2



330283
Pin M2x10mm x2



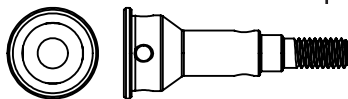
330583
Pin M2x12mm x2



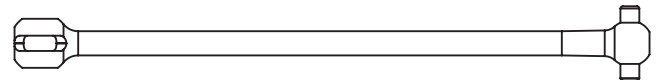
116017
Ball Bearing 6x12x4mm x2



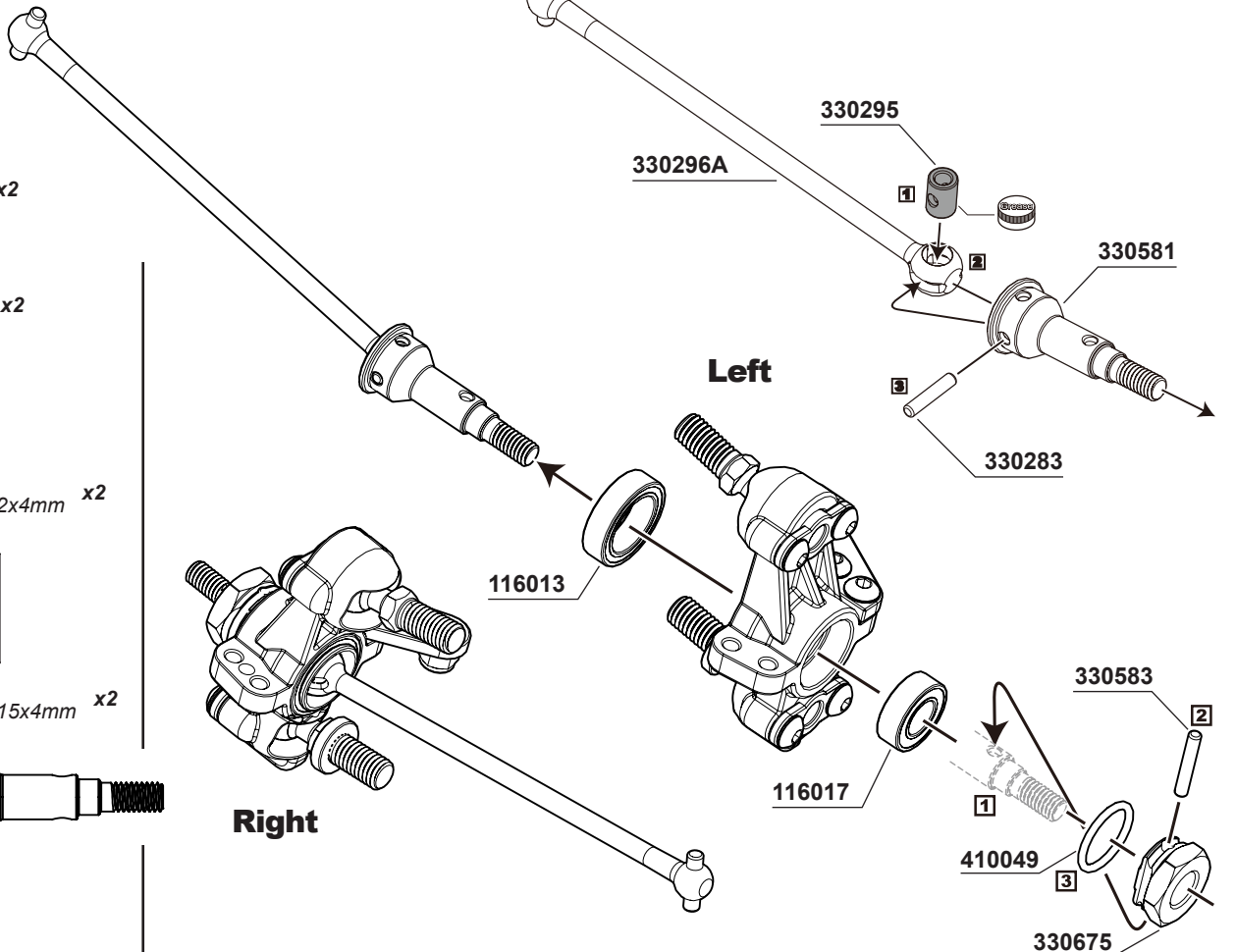
116013
Ball Bearing 10x15x4mm x2

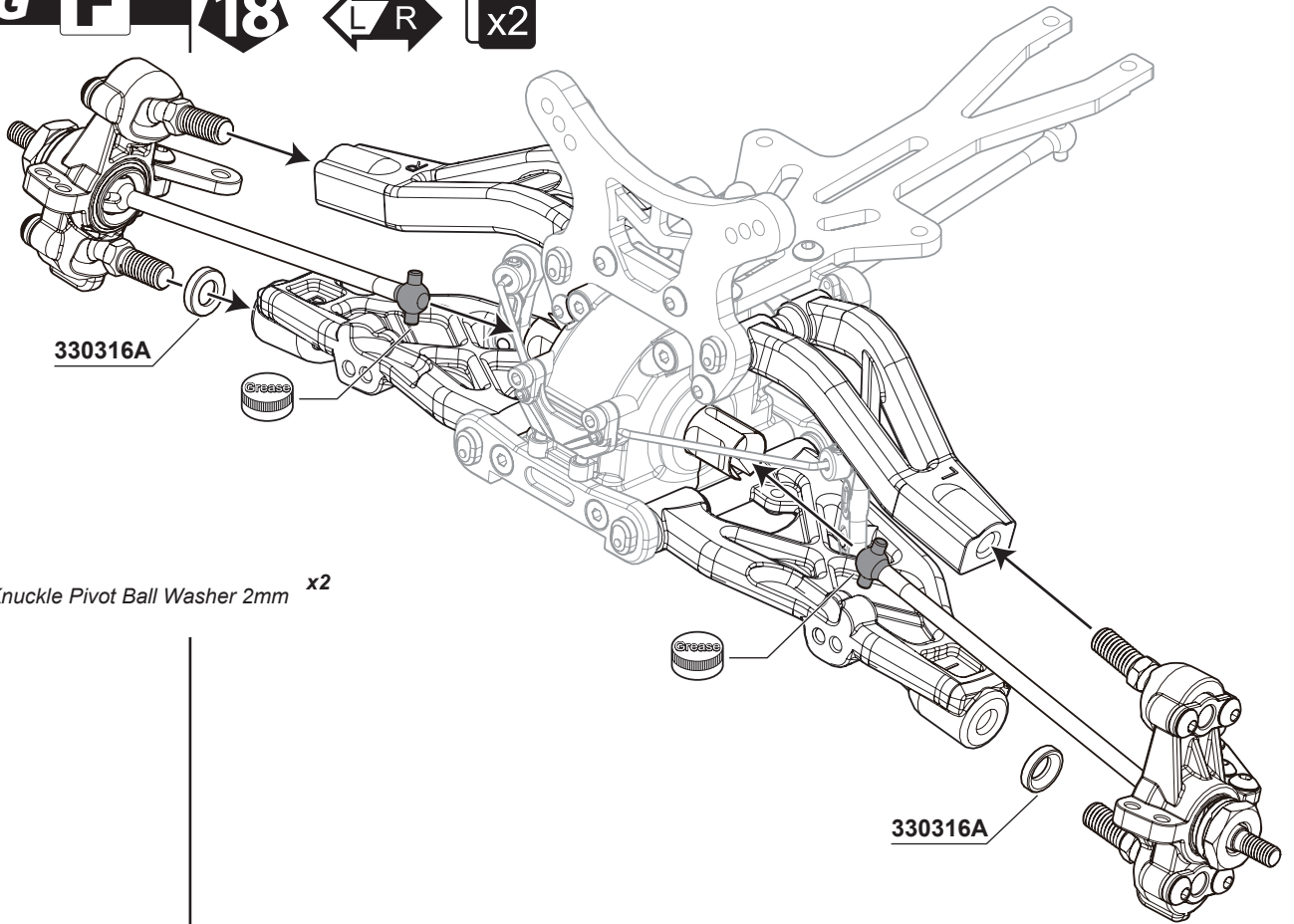


330581
CVD Axle x2



330296A
F/R Drive Shaft 78mm x2





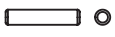
330316A
Aluminum Knuckle Pivot Ball Washer 2mm x2



104008
M4x4mm Set Screw x2



330295
CVD Join x2



330283
Pin M2x10mm x2



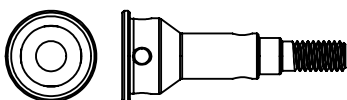
330583
Pin M2x12mm x2



116017
Ball Bearing 6x12x4mm x2

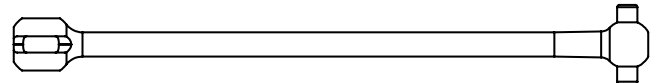


116013
Ball Bearing 10x15x4mm x2

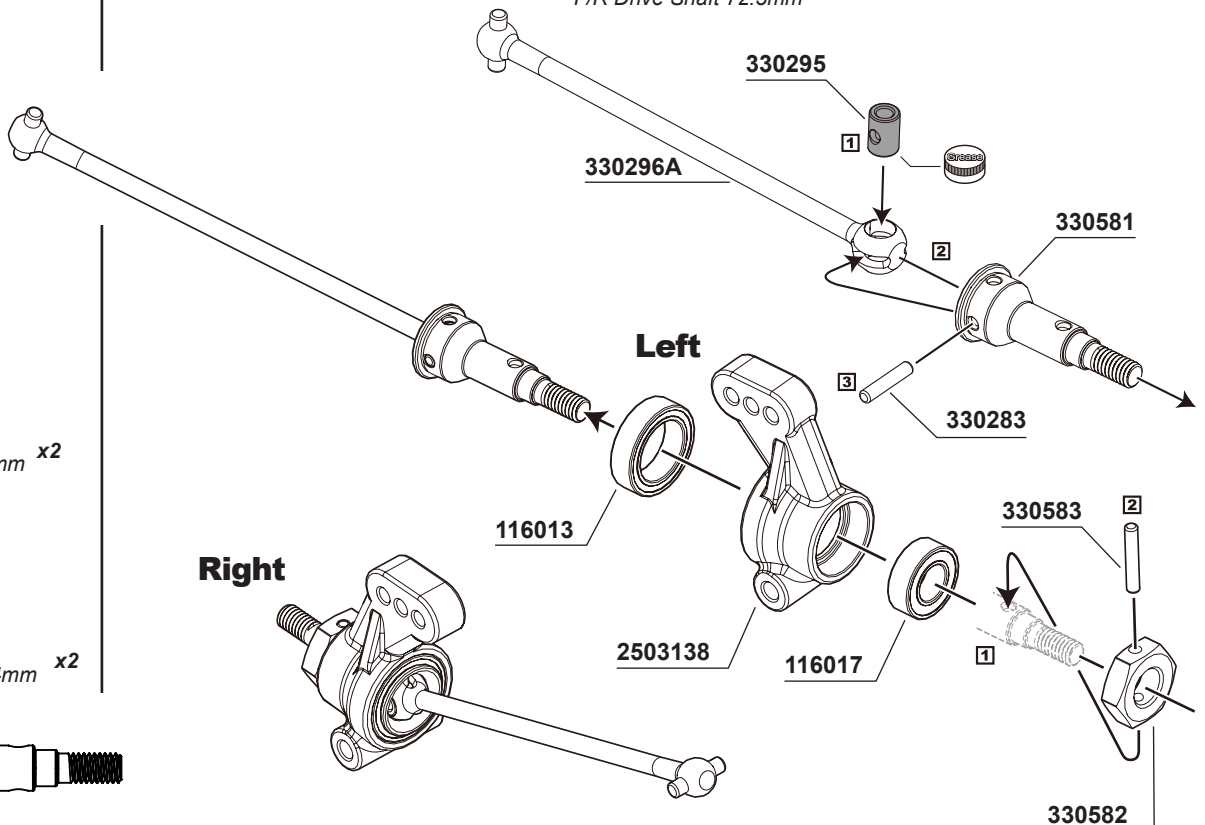


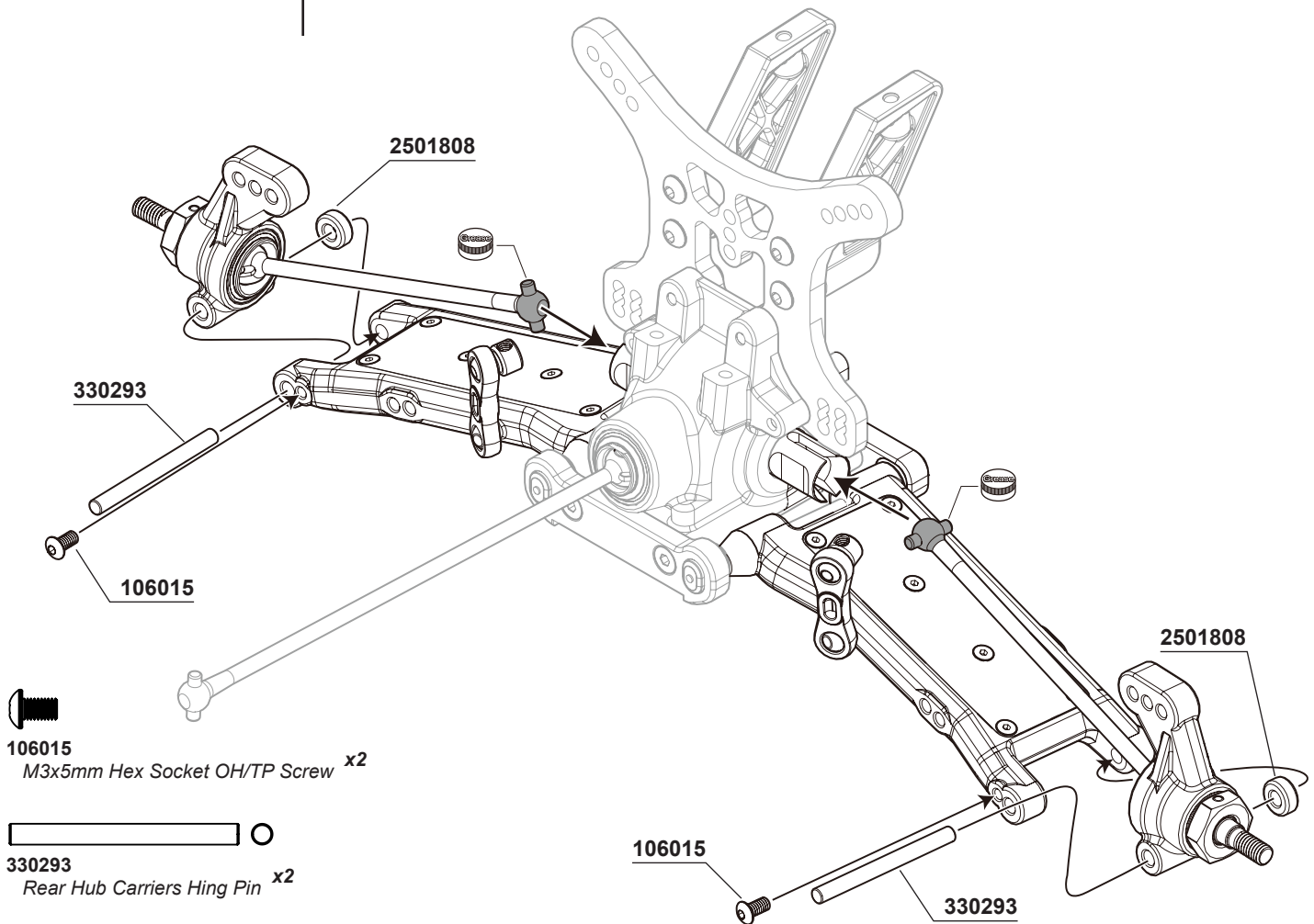
330581
CVD Axle x2

19



330526
F/R Drive Shaft 72.5mm x2





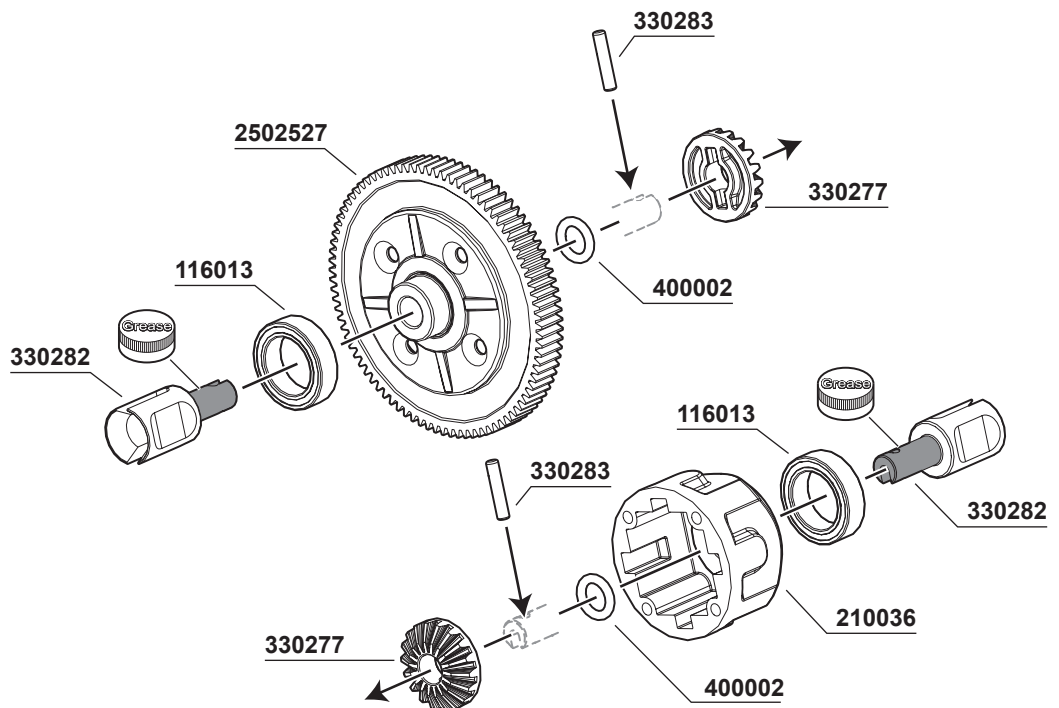
106015
M3x5mm Hex Socket OH/TP Screw **x2**

330293
Rear Hub Carriers Hing Pin **x2**

330283
Pin M2x10mm **x2**

400002
O-ring S5 4.8x1.5 **x2**

116013
Ball Bearing 10x15x4mm **x2**



BAG C

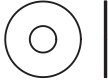
22



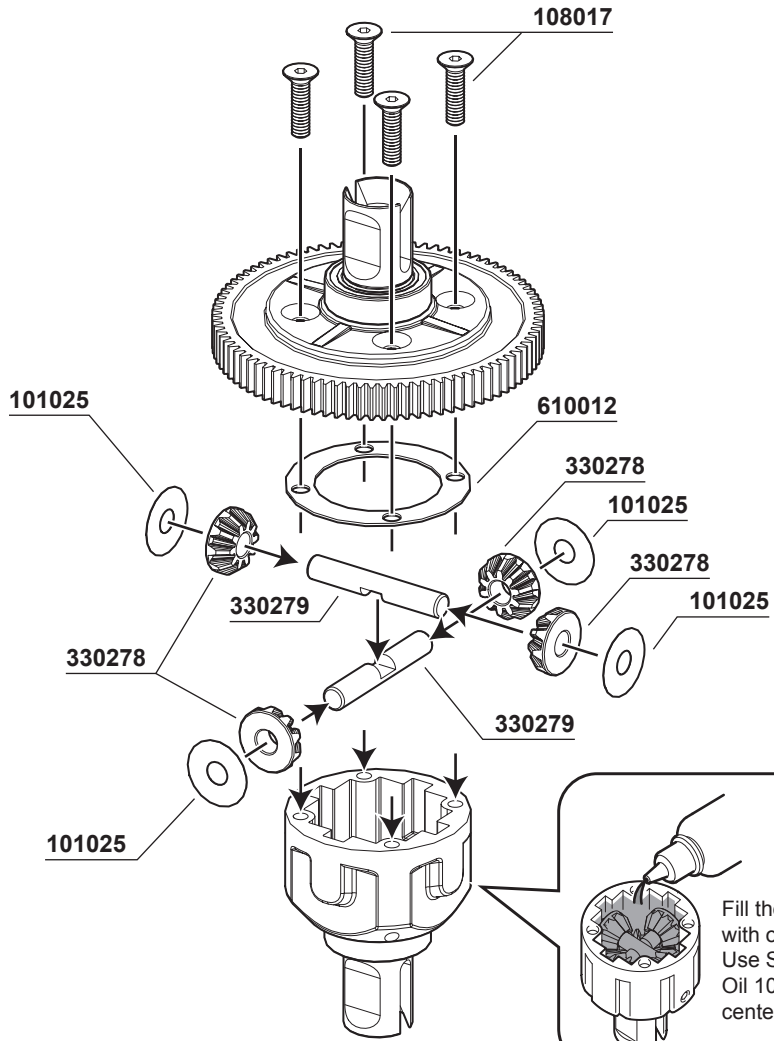
108017
M2.6x10mm FH/ST HEX Screw **x4**



330279
Bevel Gear Shaft **x2**



101025
Shim 3.5x10x0.1mm **x4**



Fill the differentials with oil up to 80% full. Use SWORKz diff. Oil 100000cps for the center Diff.

BAG G

23



103001
M3 Nut Lock **x2**



117003
Flange Ball Bearing 3x6x2.5mm **x4**



106015
Ball Bearing 5x8x2.5mm **x2**



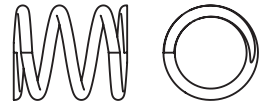
330331
Steering Linkage Ball Stud 5mm **x1**



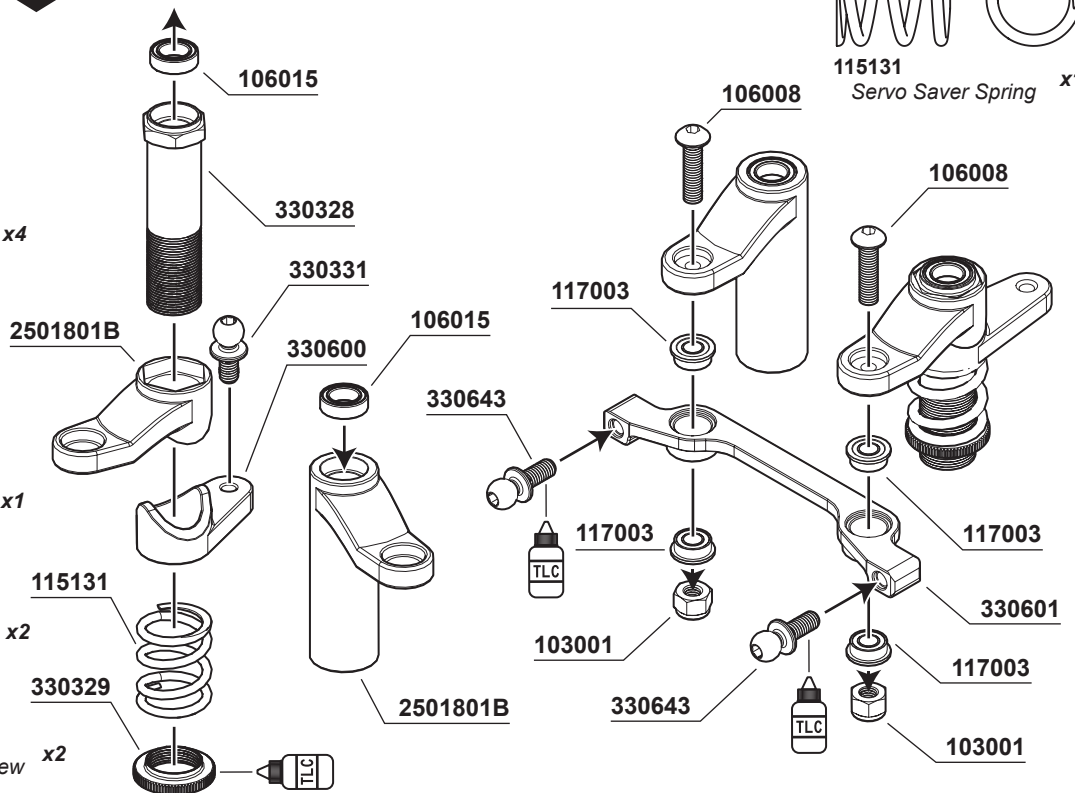
330643
Steering Linkage Ball Stud 5mm **x2**



106008
M3x12mm Hex Scket OH/TP Screw **x2**



115131
Servo Saver Spring **x1**

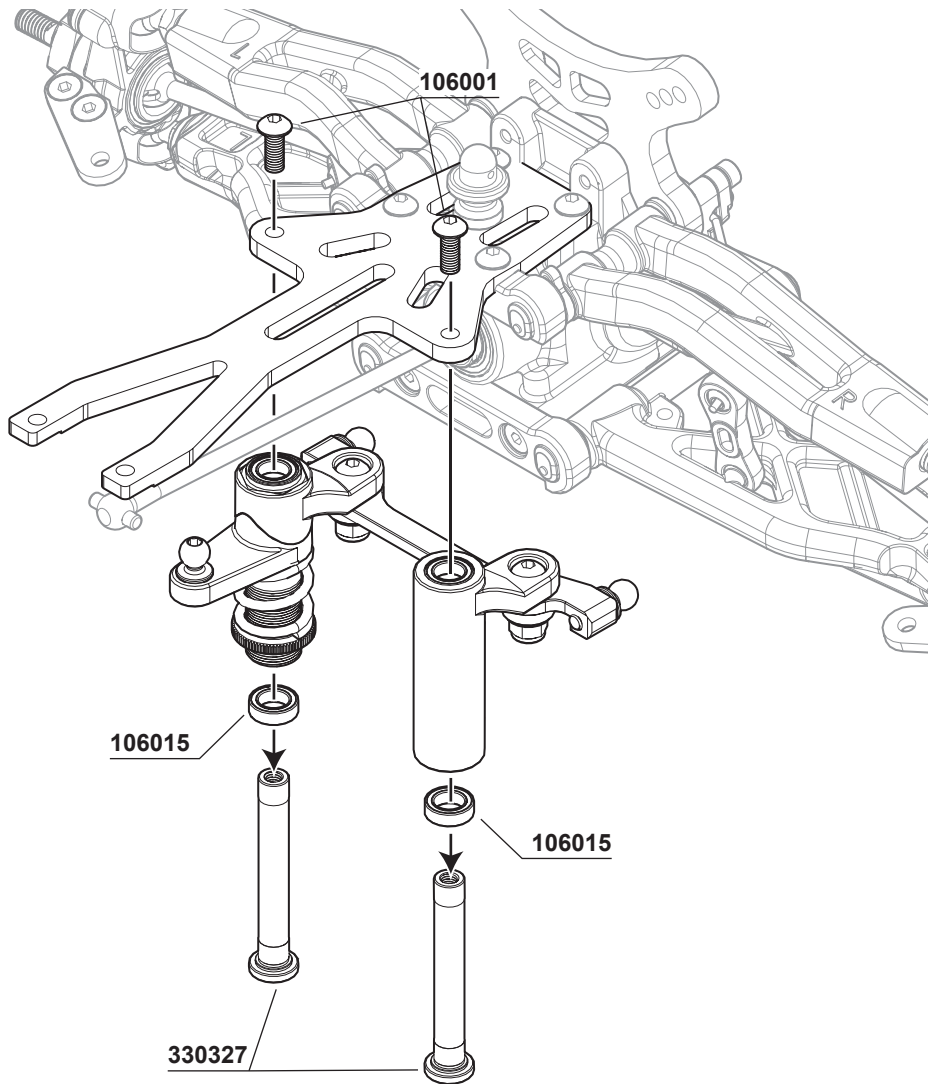




106001
M3x8mm Hex Socket OH/TP Screw x2



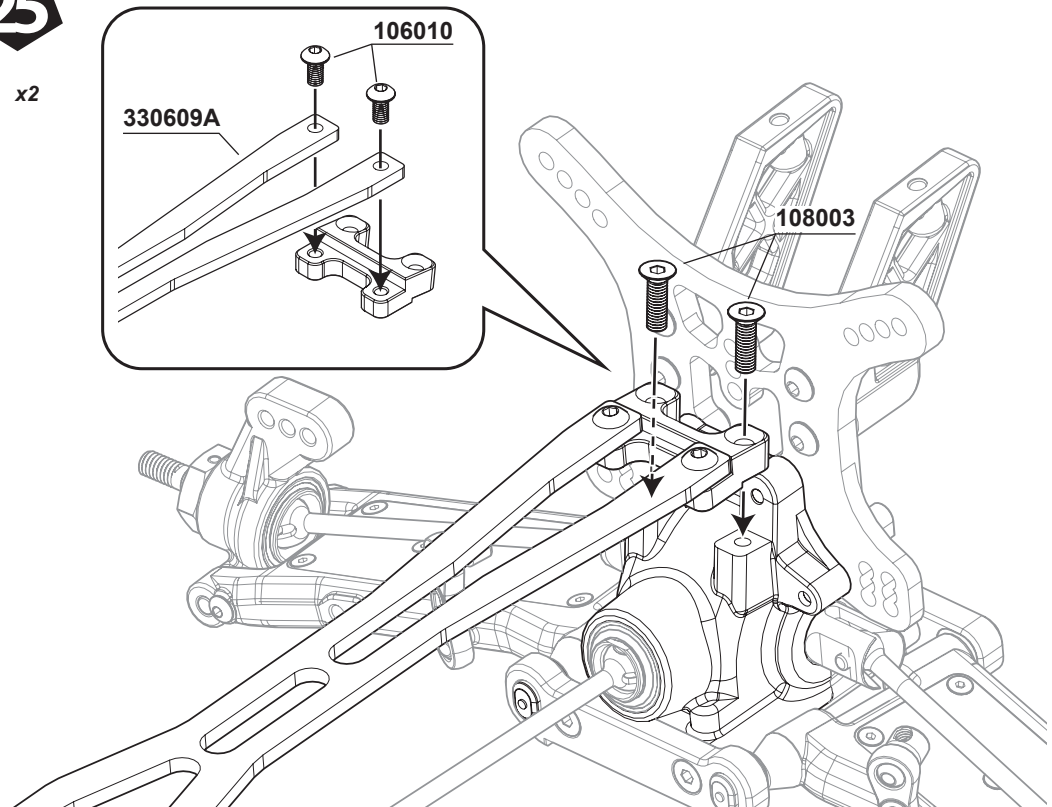
106015
Ball Bearing 5x8x2.5mm x2



106010
M3x6mm Hex Socket OH/TP Screw x2



108003
M3x10mm FH/ST HEX Screw x2

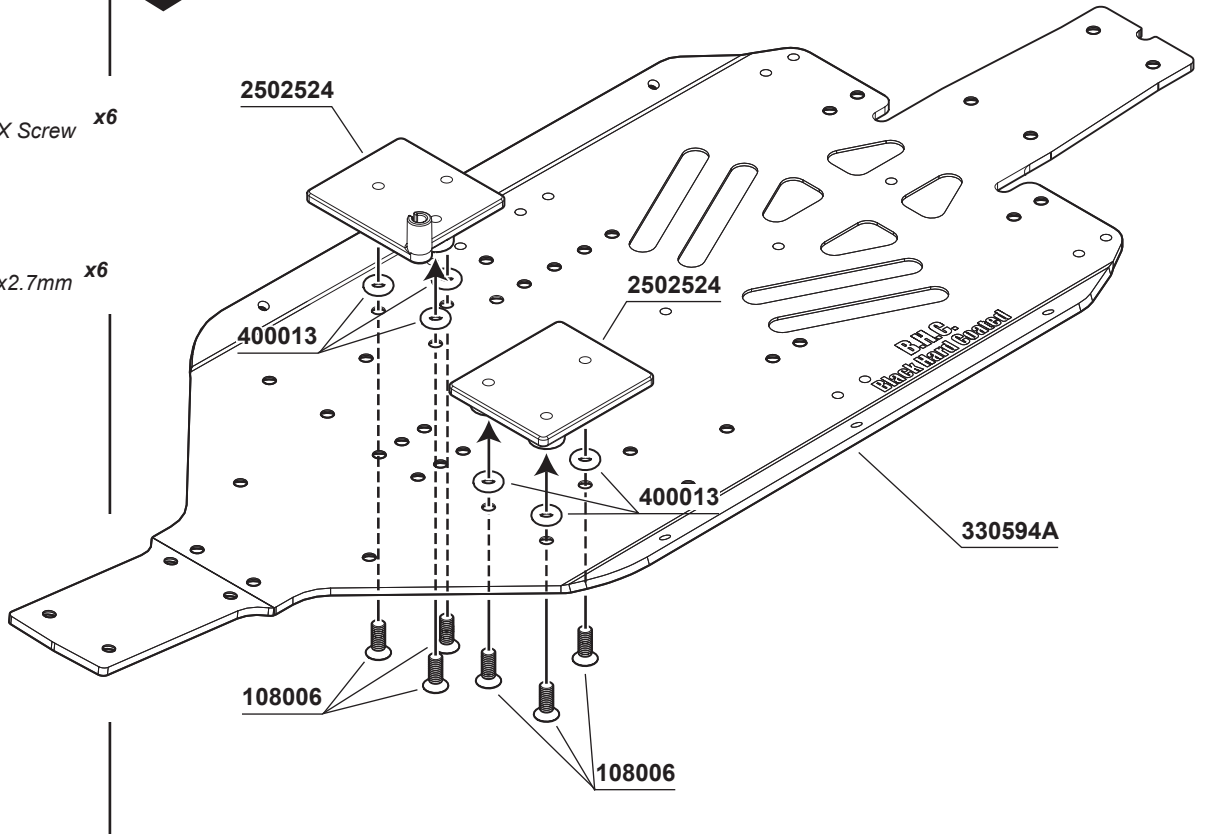




108006
M3x8mm FH/ST HEX Screw x6



400013
Shock Seal O-ring 2x2.7mm x6



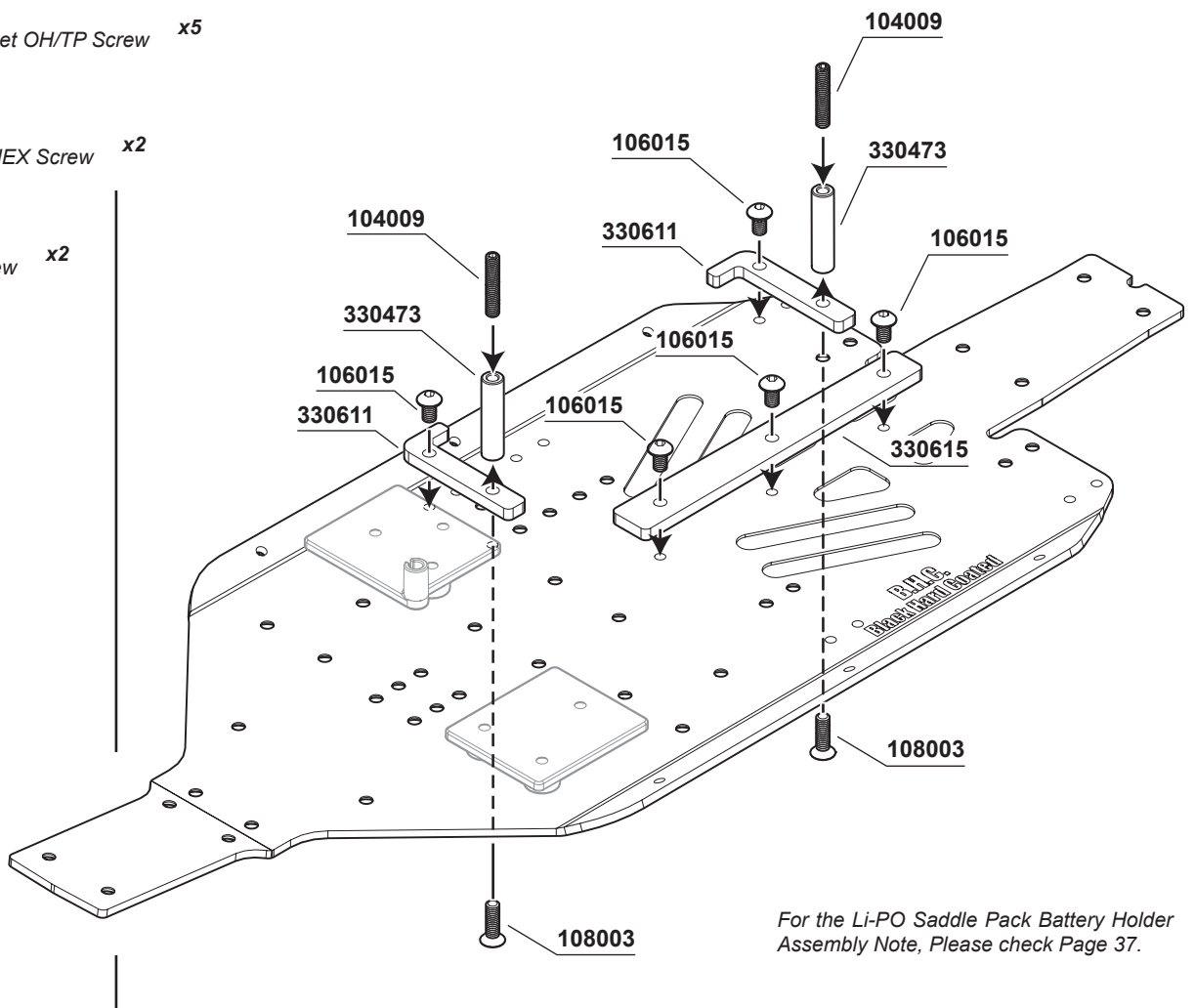
106015
M3x5mm Hex Socket OH/TP Screw x5



108003
M3x10mm FH/ST HEX Screw x2



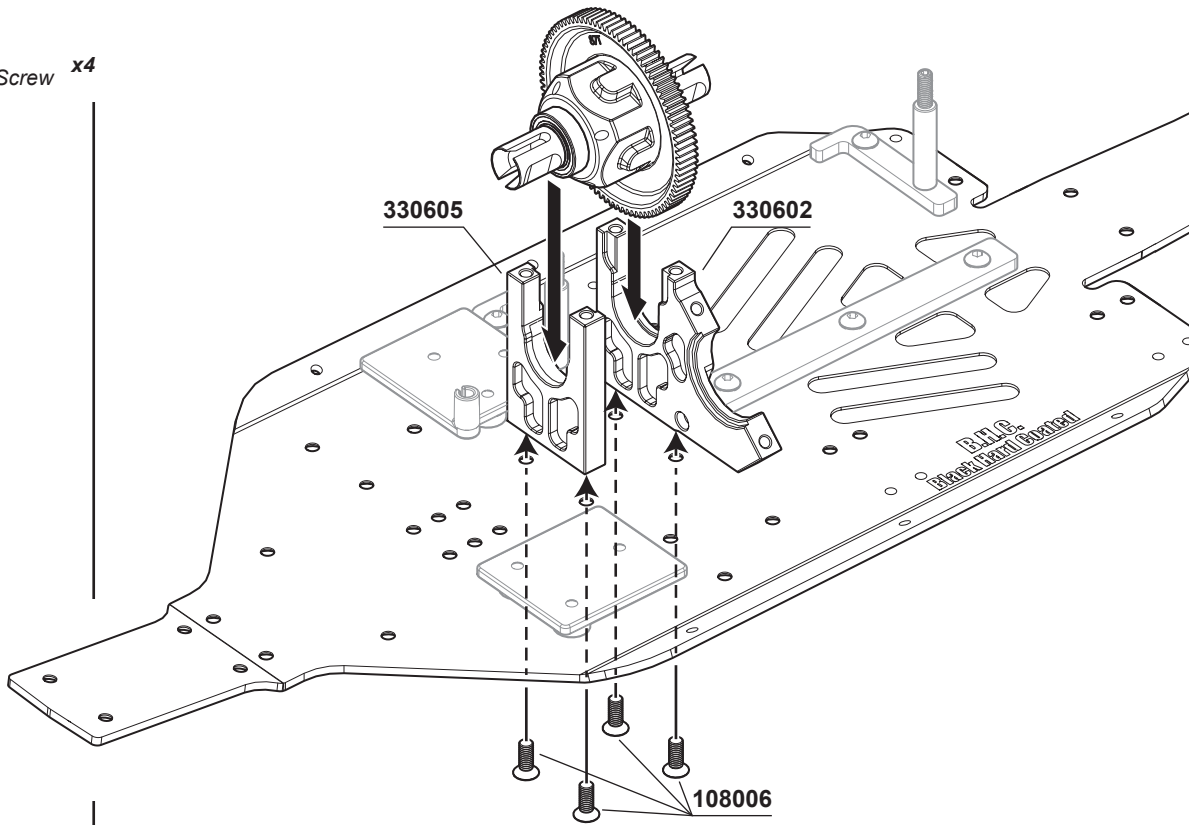
104009
M3x16mm Set Screw x2



For the Li-PO Saddle Pack Battery Holder Assembly Note, Please check Page 37.



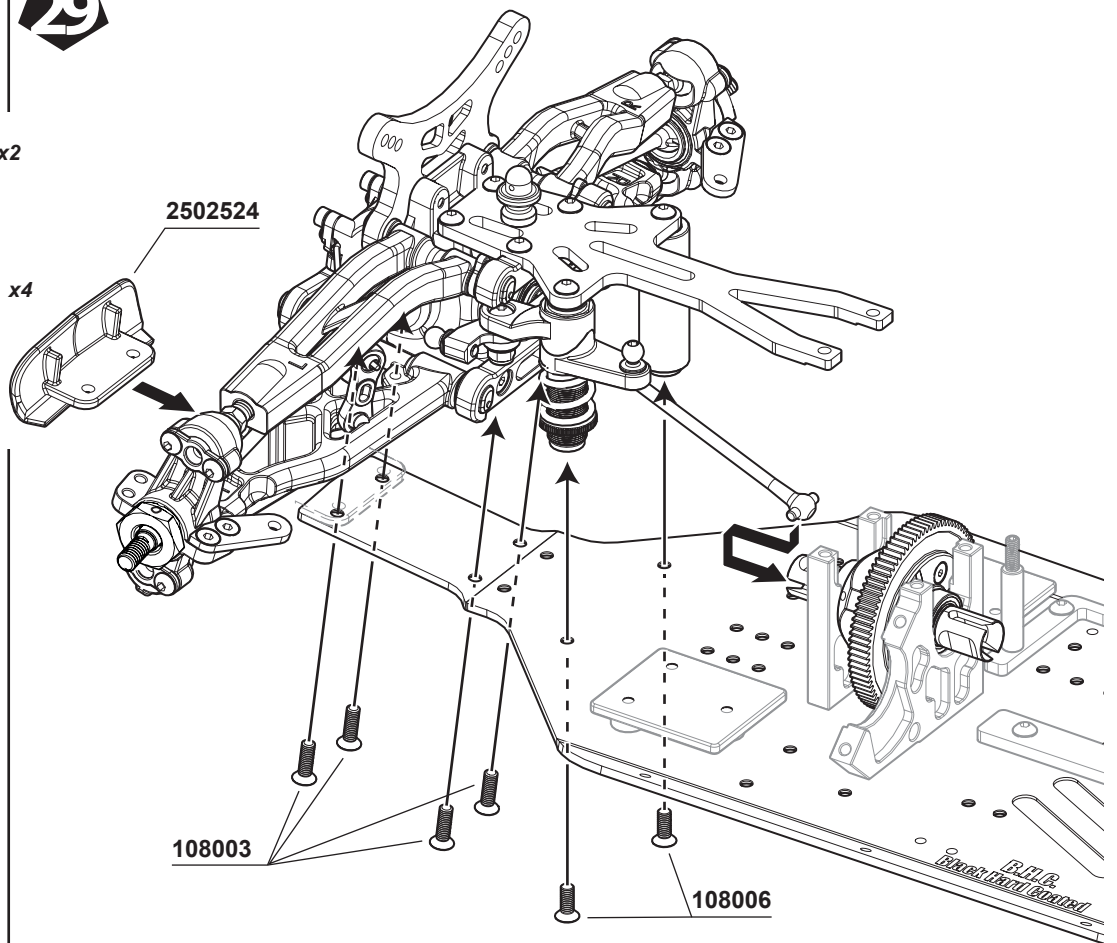
108006
M3x8mm FH/ST HEX Screw x4



108006
M3x8mm FH/ST HEX Screw x2

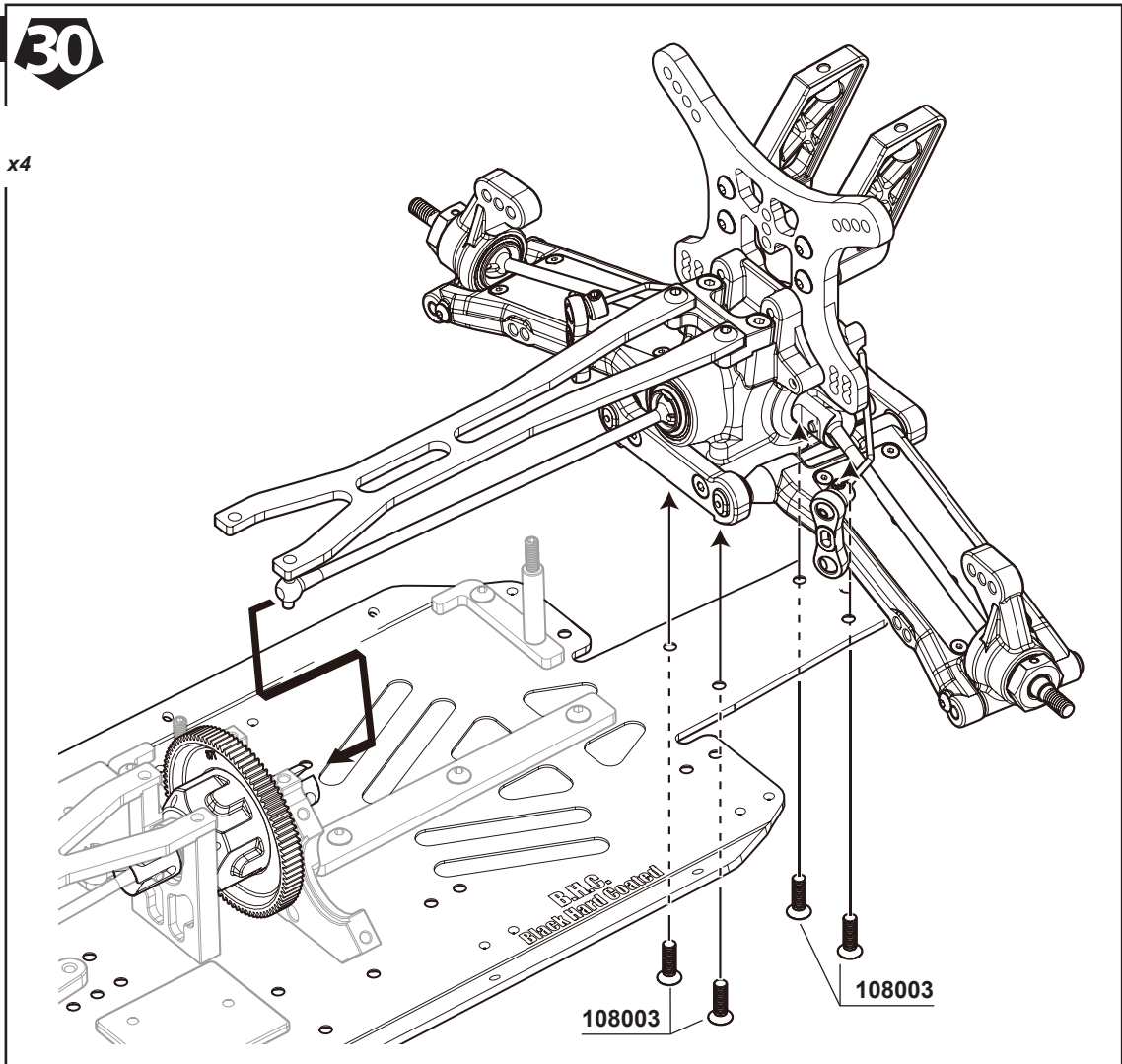


108003
M3x10mm FH/ST HEX Screw x4





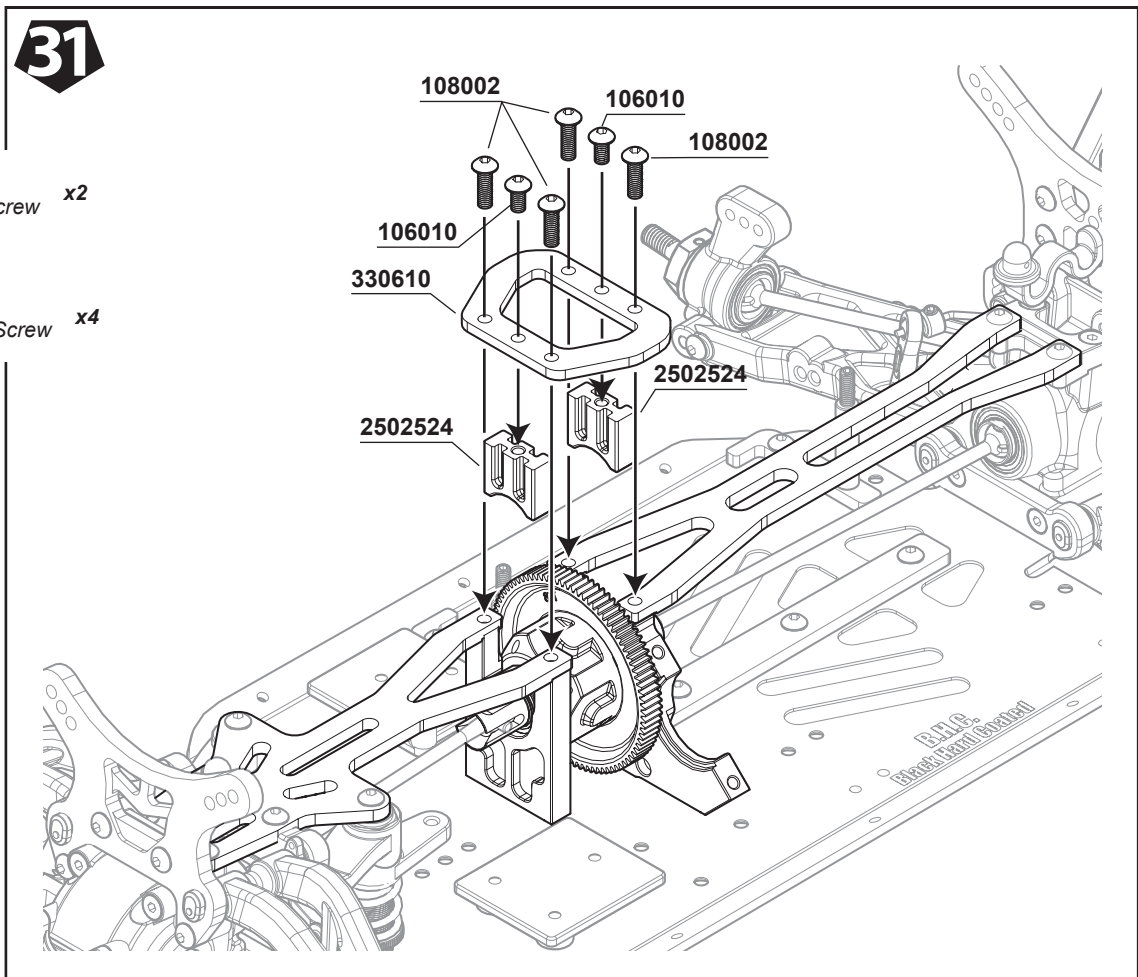
108003
M3x10mm FH/ST HEX Screw x4

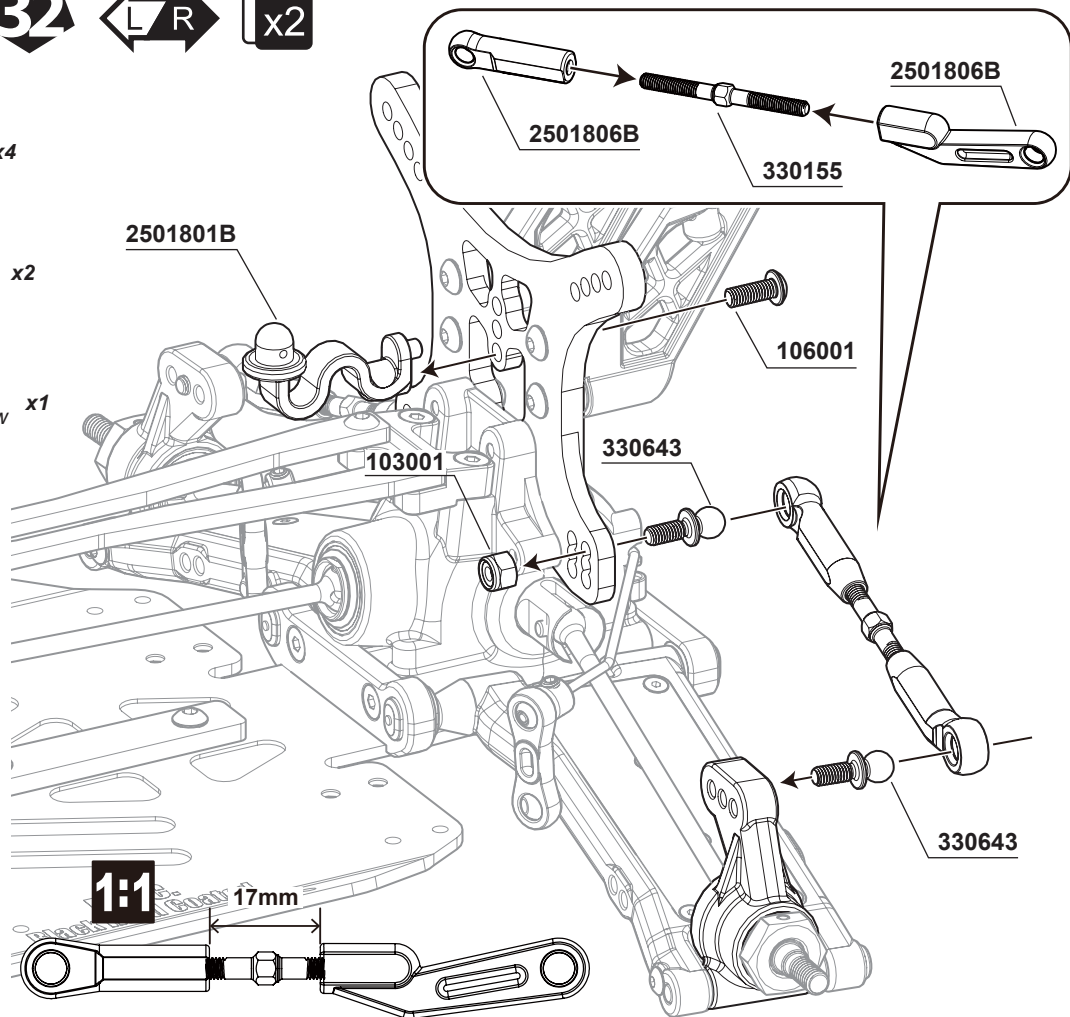
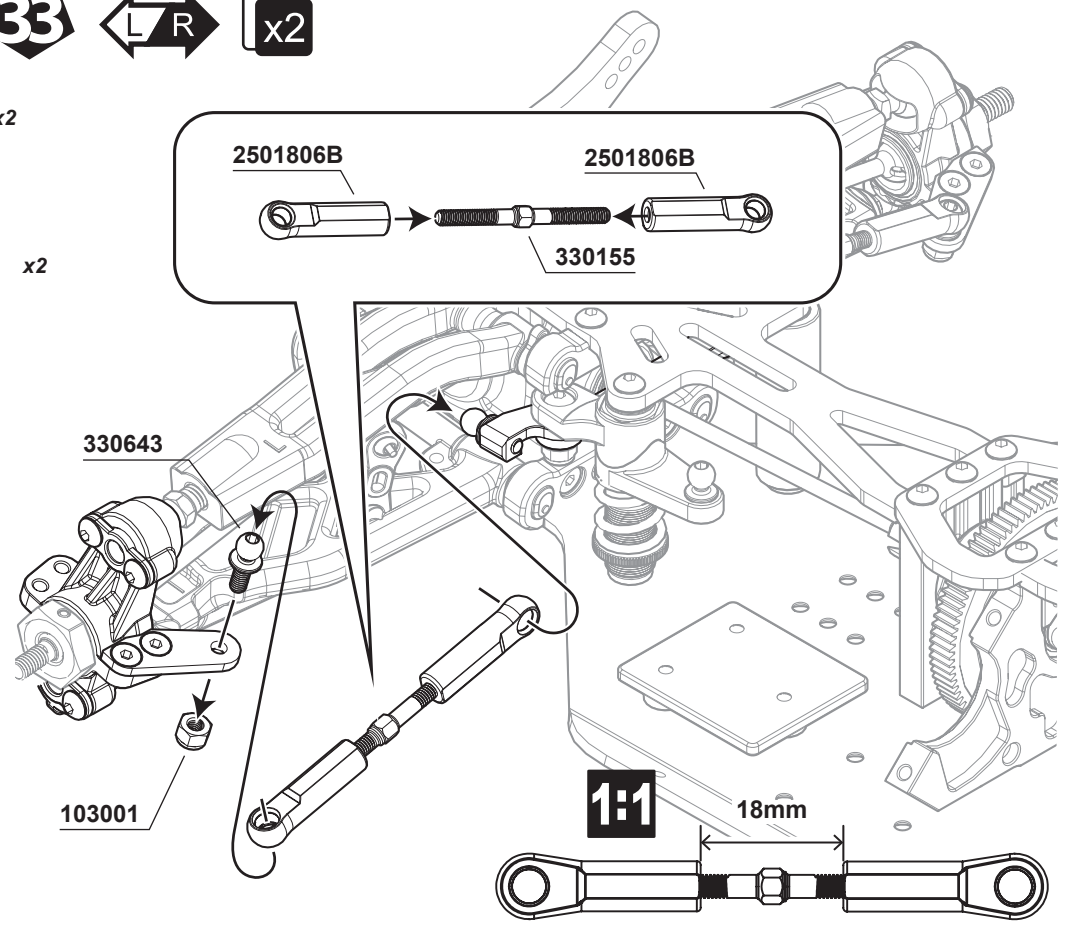


106010
M3x6mm Hex Socket OH/TP Screw x2



106002
M3x10mm Hex Socket OH/TP Screw x4



**330643**
Steering Linkage Ball Stud 5mm x4**330155**
Rear Upper Sus. Arm Turnbuckles x2**106001**
M3x8mm Hex Socket OH/TP Screw x1**103001**
M3 Nut Lock x2**330643**
Steering Linkage Ball Stud 5mm x2**330155**
Rear Upper Sus. Arm Turnbuckles x2**103001**
M3 Nut Lock x2



108006
M3x8mm FH/ST HEX Screw x2



106010
M3x6mm Hex Socket OH/TP Screw x2



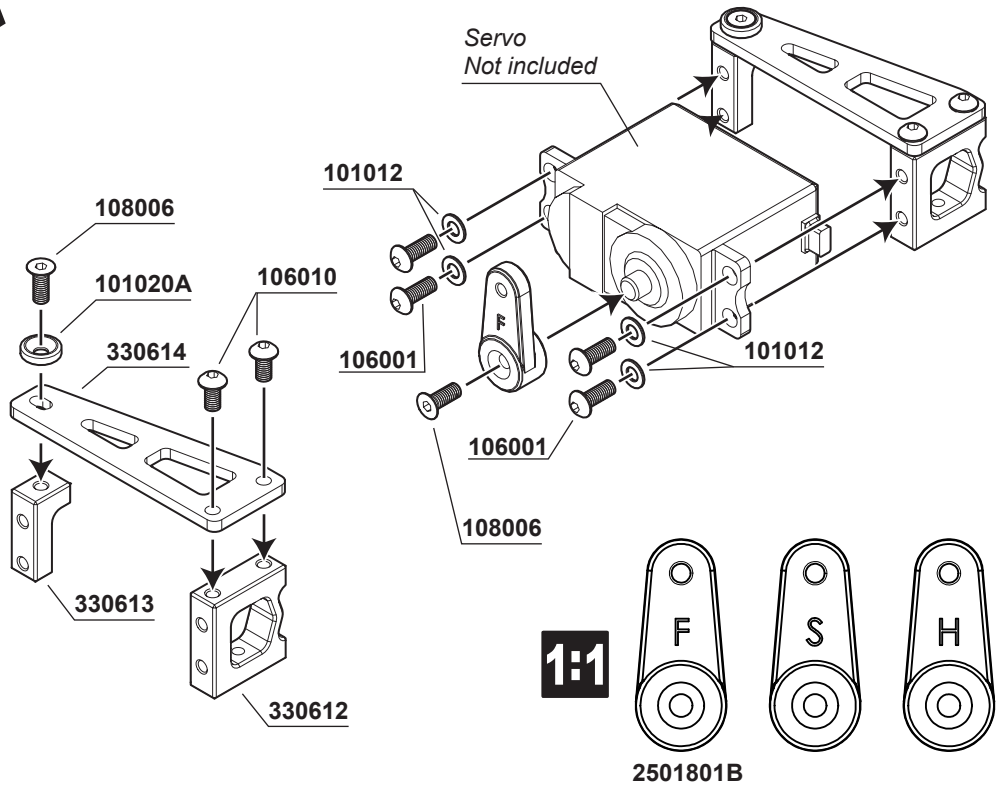
106001
M3x8mm Hex Socket OH/TP Screw x4



101020A
3mm Countersunk Washers (RD) x1



101012
Washer M3x6xT0.5mm x4



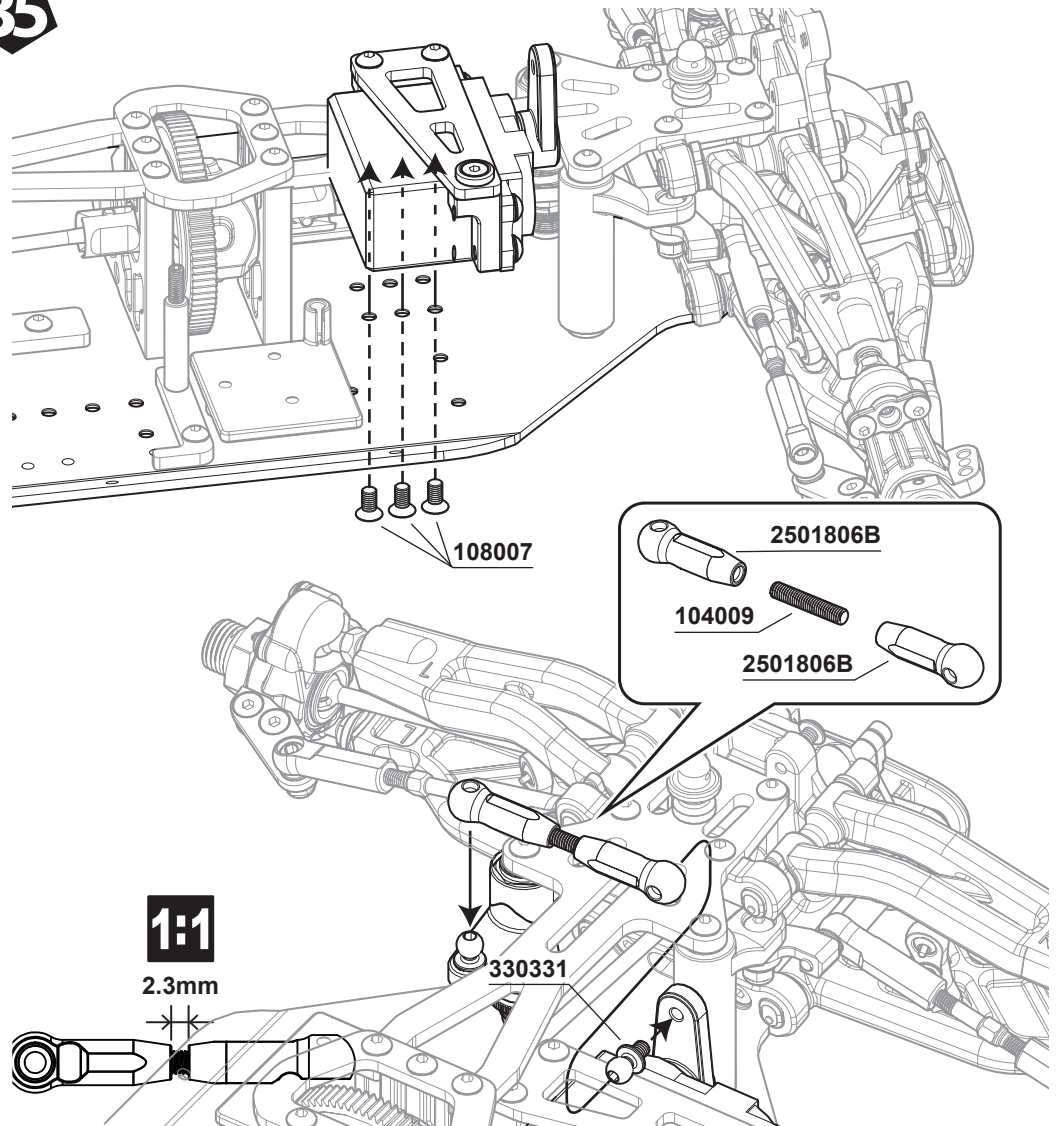
108007
M3x6mm FH/ST HEX Screw x3



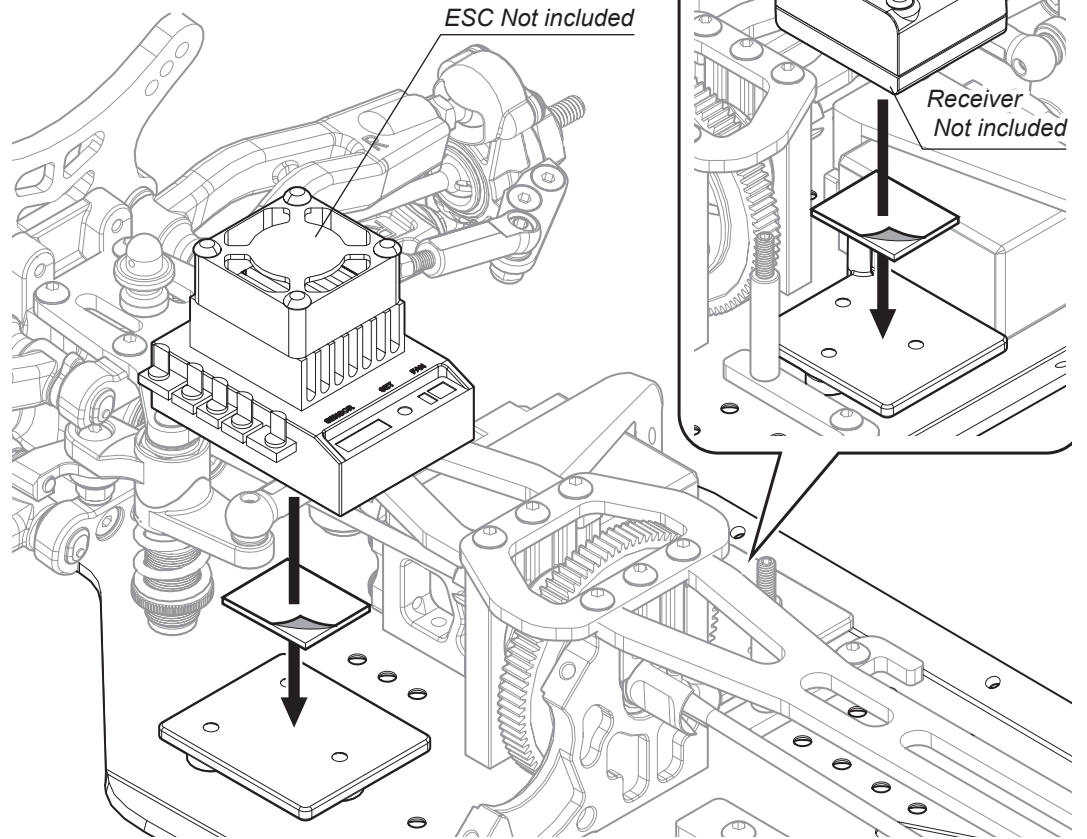
330331
Steering Linkage Ball Stud 5mm x1








104009
M3x16mm Set Screw x1

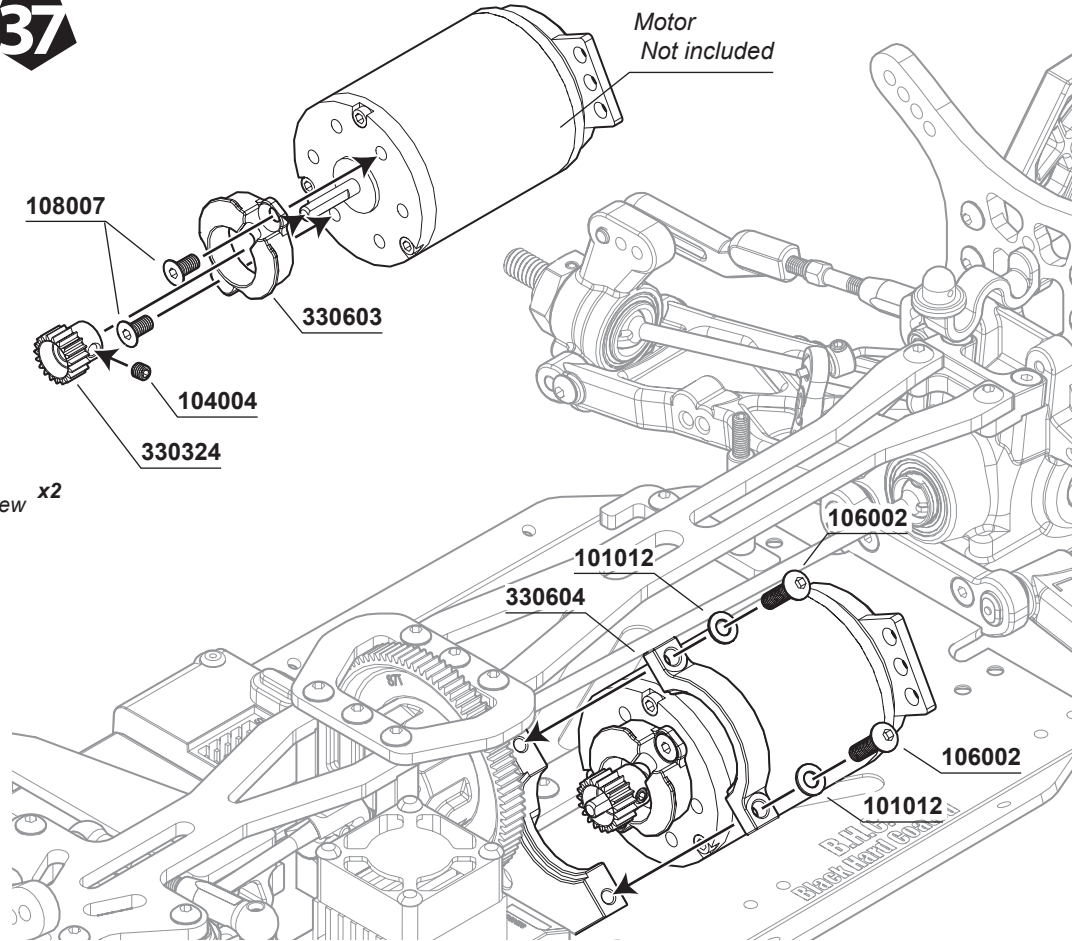


36



37

-  **104004**
M3x3mm Set Screw x1
-  **108007**
M3x6mm FH/ST HEX Screw x2
-  **101012**
Washer M3x6xT0.5mm x2
-  **106002**
M3x10mm Hex Socket OH/TP Screw x2
-  **330324**
S104 Motor Gear 20T x1



101011
Shock Washer 2.6x6x0.5mm x4

330545
Shock Washer 3.3x6.5x2.5mm x8

400018A
Shock Seal O-ring 2x2.7mm x8

330531
Shock Shaft L x2

330532
Shock Shaft S x2

400014
O-Ring 1.5x13.5mm x4

410049
Shock Seal Cap O-ring 8x10x1mm x4

410047
S102 Shock Cap O-Ring (SP) x4

330544
Aluminum Shock Seal Cover x4

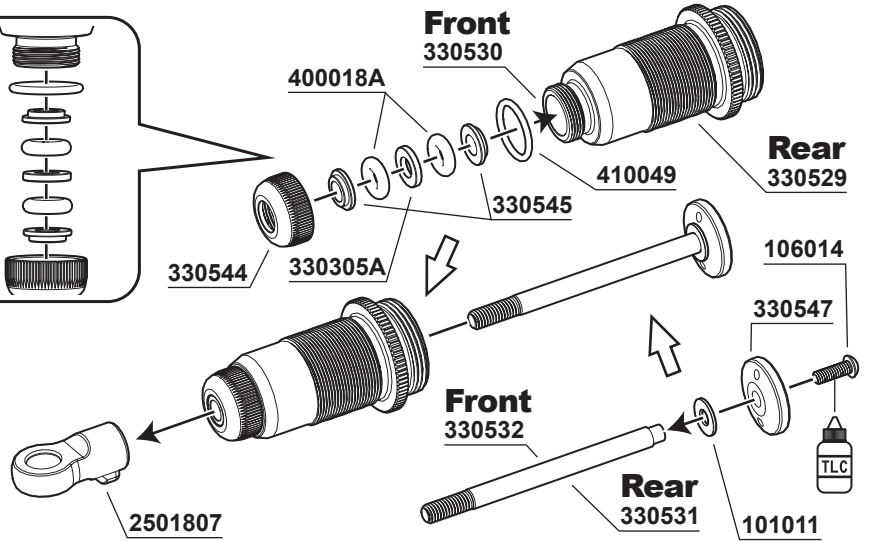
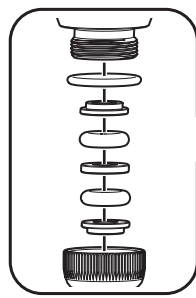
330305A
Shock Washer 3.3x6.7x0.7mm x4

330547
Shock Piston 1.5mmx2 holes x4

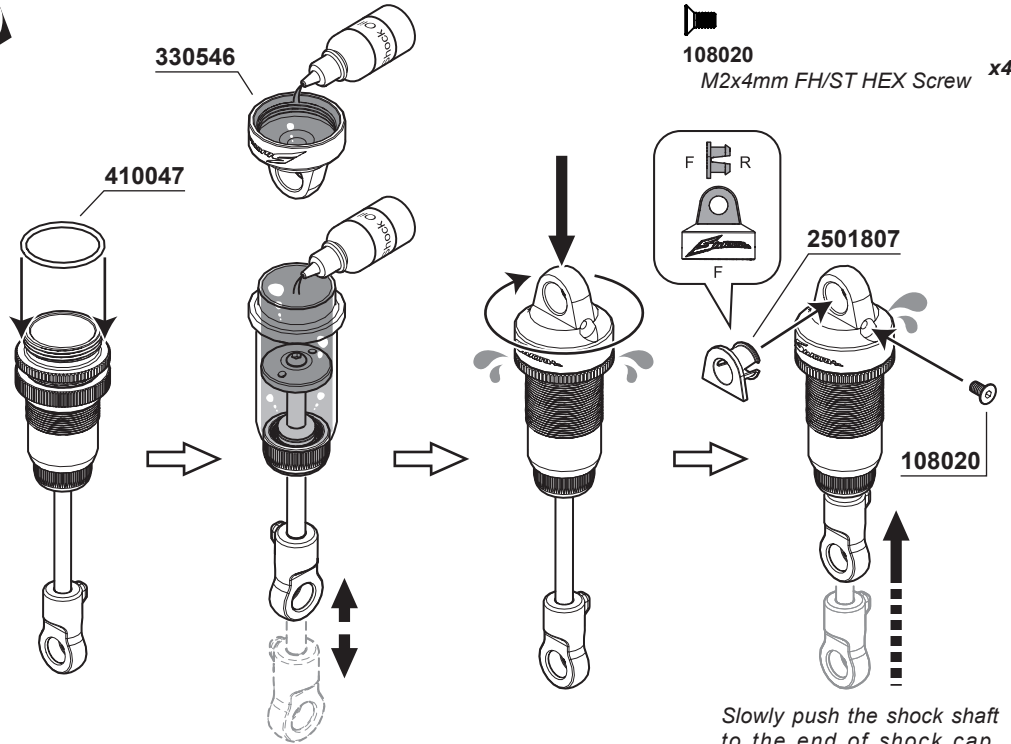
330134
Shock Ball Stud x4

330304A
Aluminum Shock Spring Adjust Nut x4

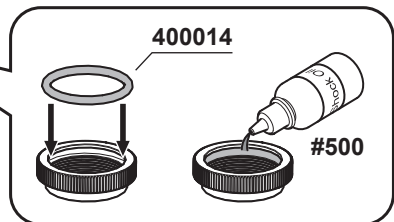
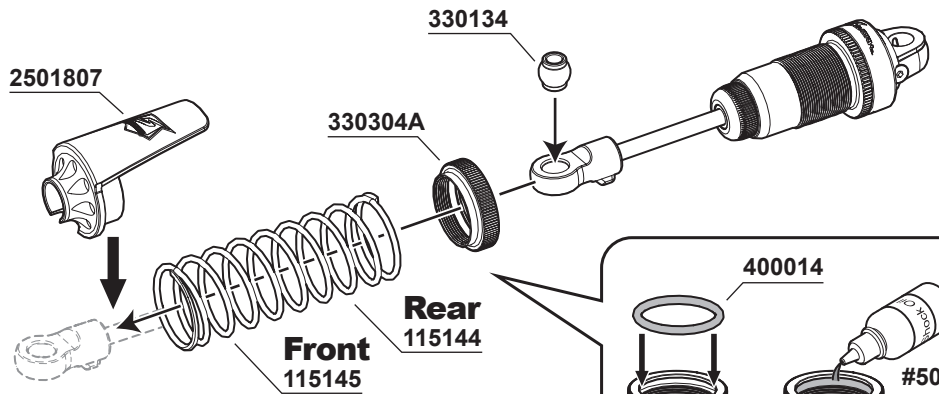
106014
M2x6mm Hex Scket OH/TP Screw x4



108020
M2x4mm FH/ST HEX Screw x4



Slowly push the shock shaft to the end of shock cap. Then tight screw M2x4mm



41



x2

For Front

x2

For Rear



108001
M3x12mm FH/ST HEX Screw

x4



330312A
Aluminum Shock Cap Studk

x2



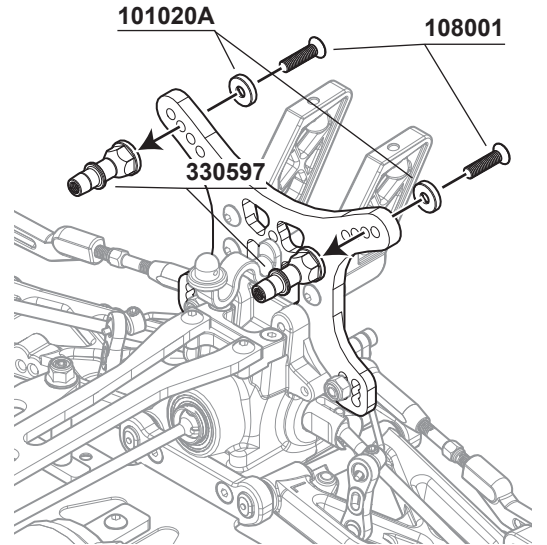
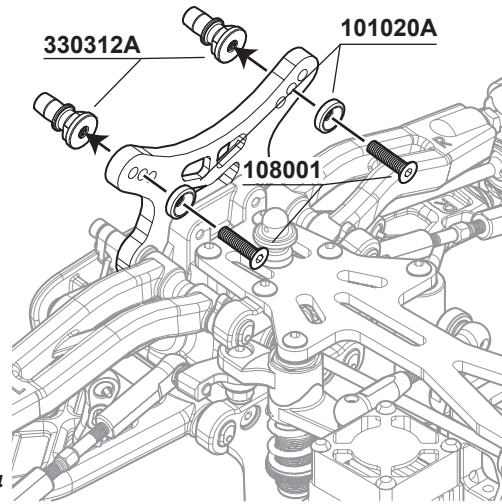
330597
Aluminum Shock Cap Studk

x2



101020A
3mm Countersunk Washers (RD)

x4



42



x2

For Front

x2

For Rear



108006
M3x8mm FH/ST HEX Screw

x4



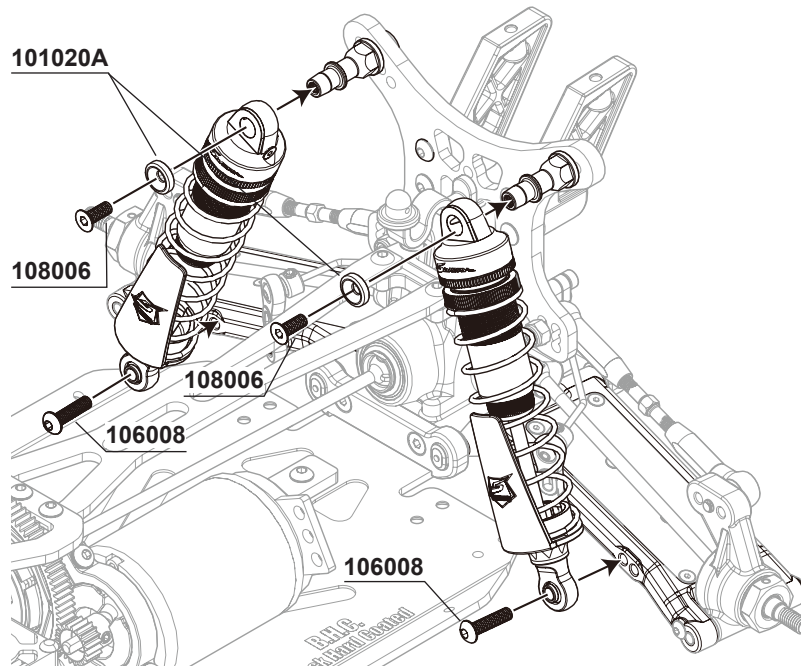
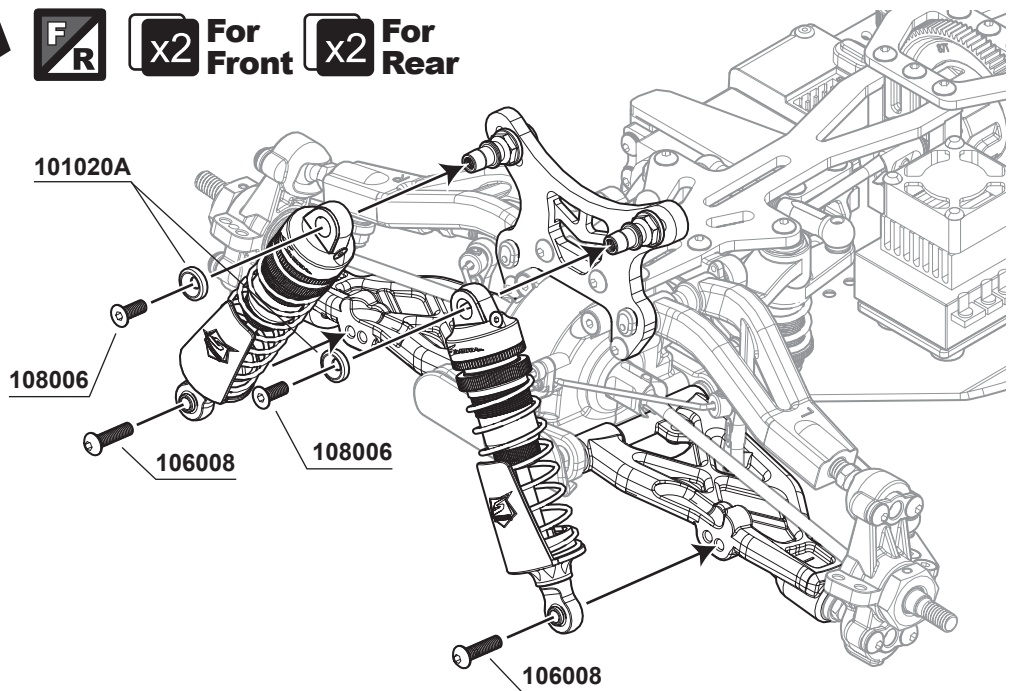
106008
M3x12mm Hex Soket OH/TP Screw

x4



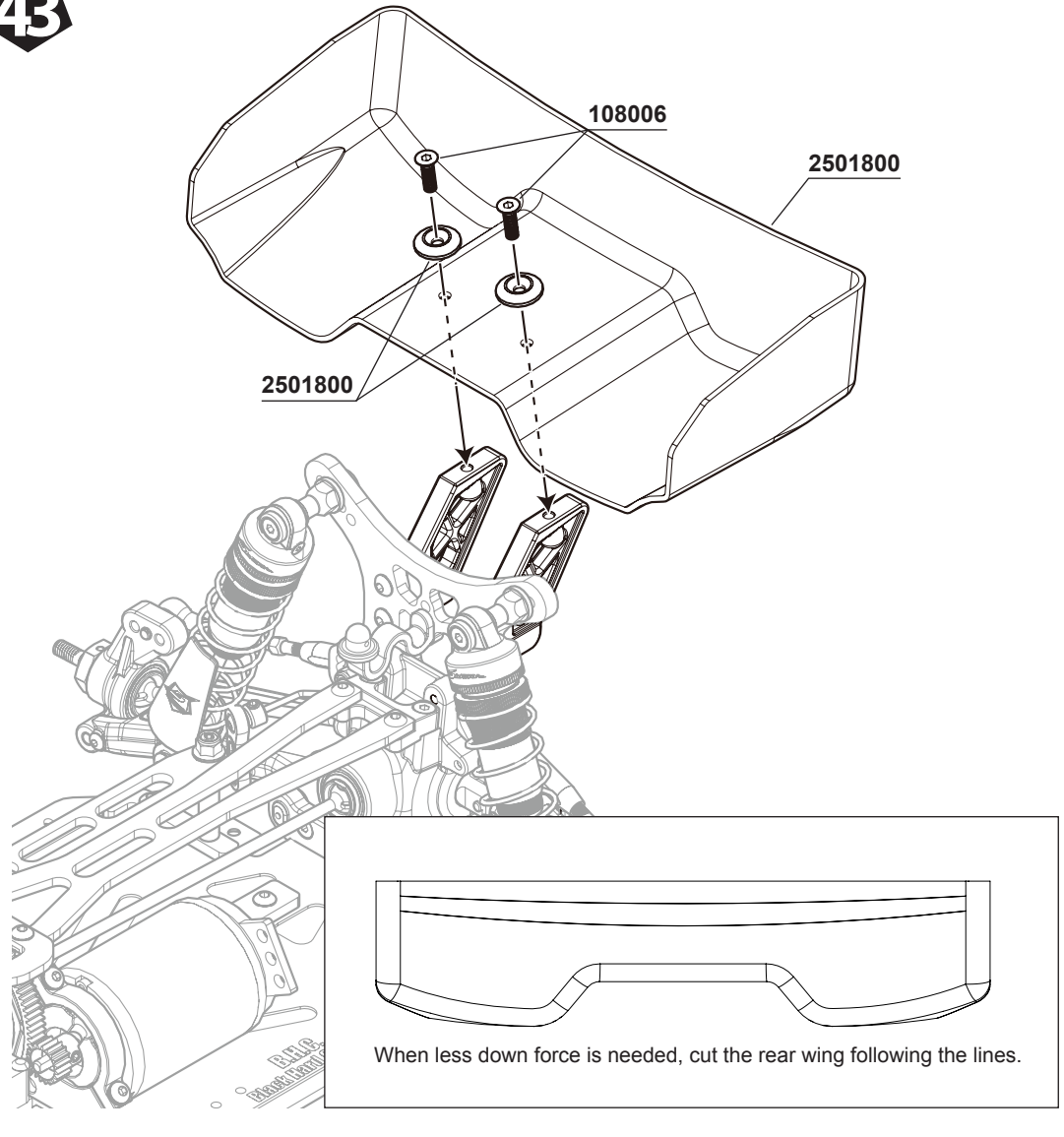
101020A
3mm Countersunk Washers (RD)

x4

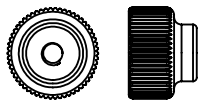




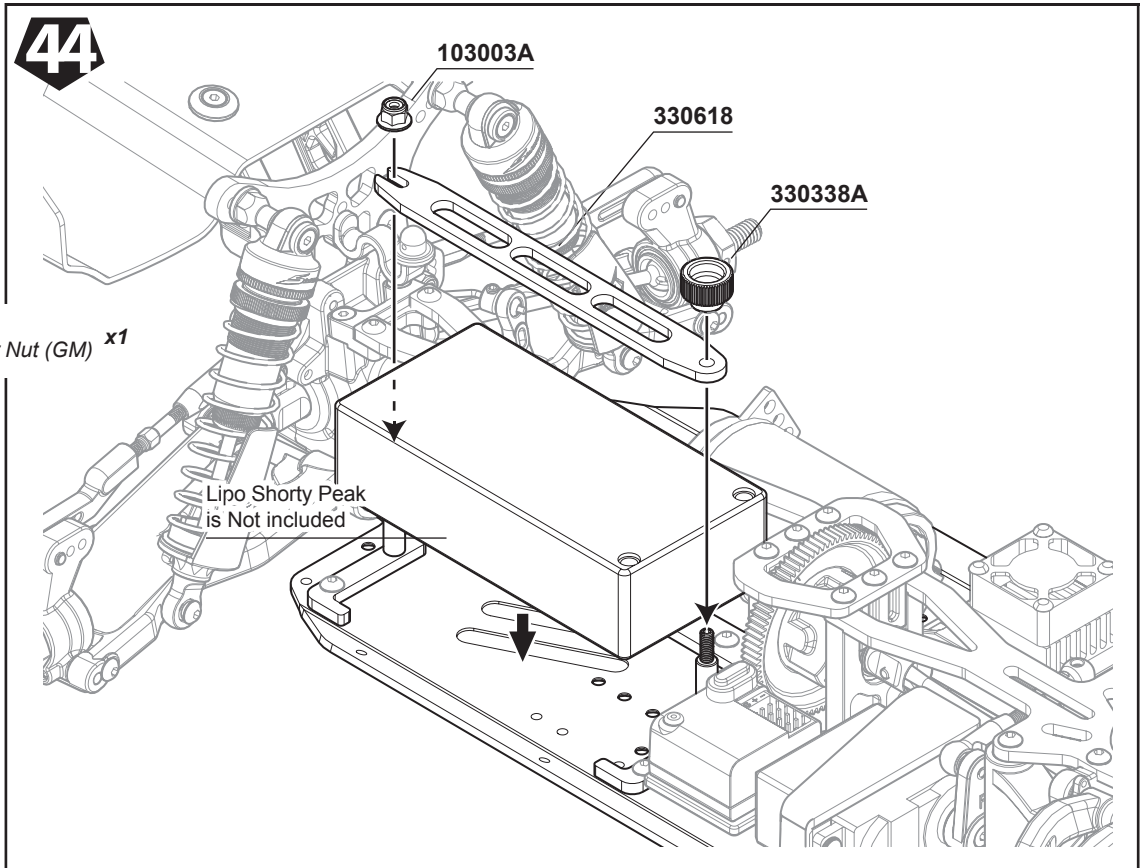
108006
M3x8mm FH/ST HEX Screw x2



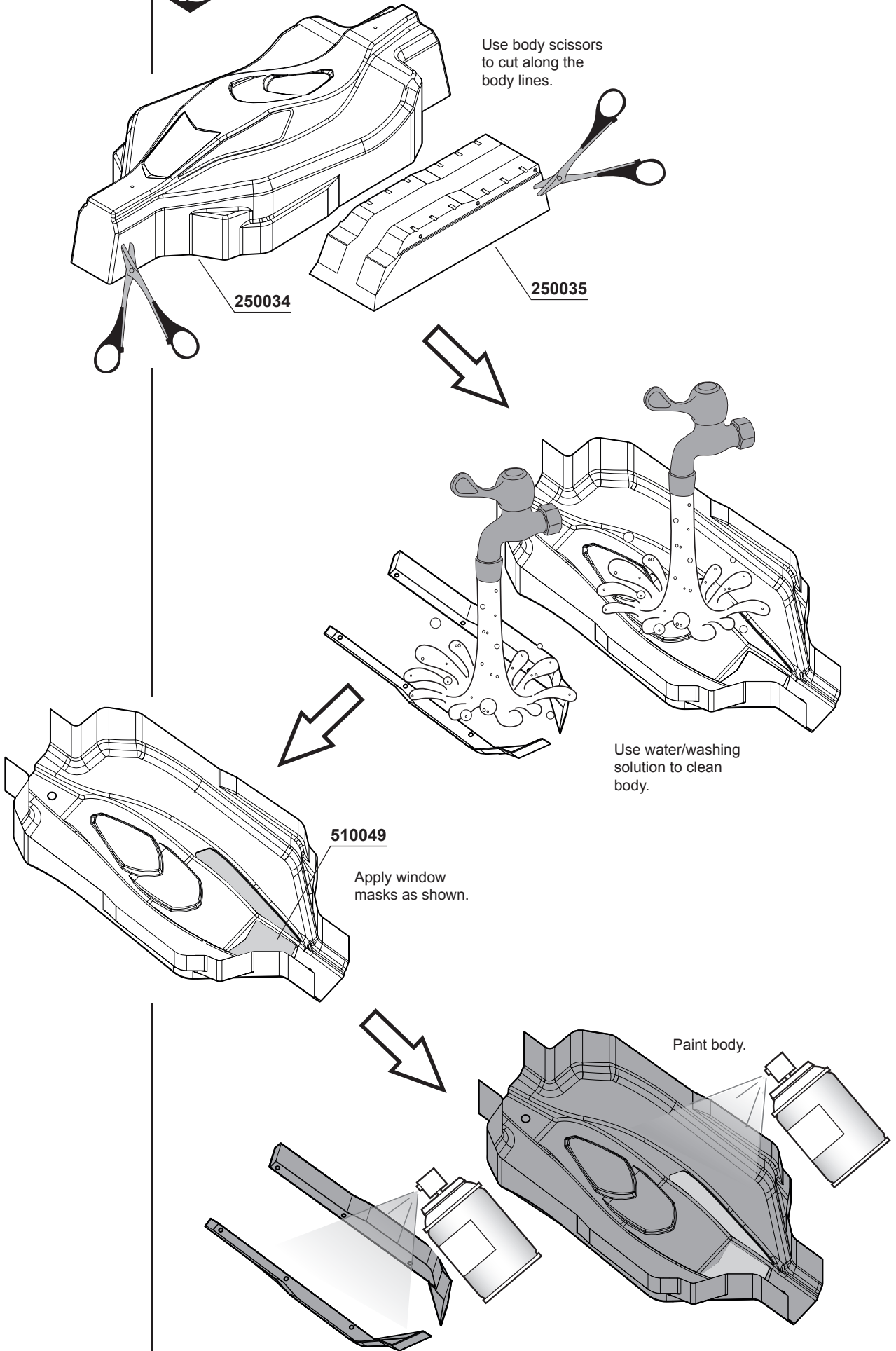
103003A
Flange M3 Nut Lock x1



330338A
S104 Aluminum Battery Holder Nut (GM) x1



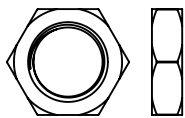
45 Body shell painting preparation



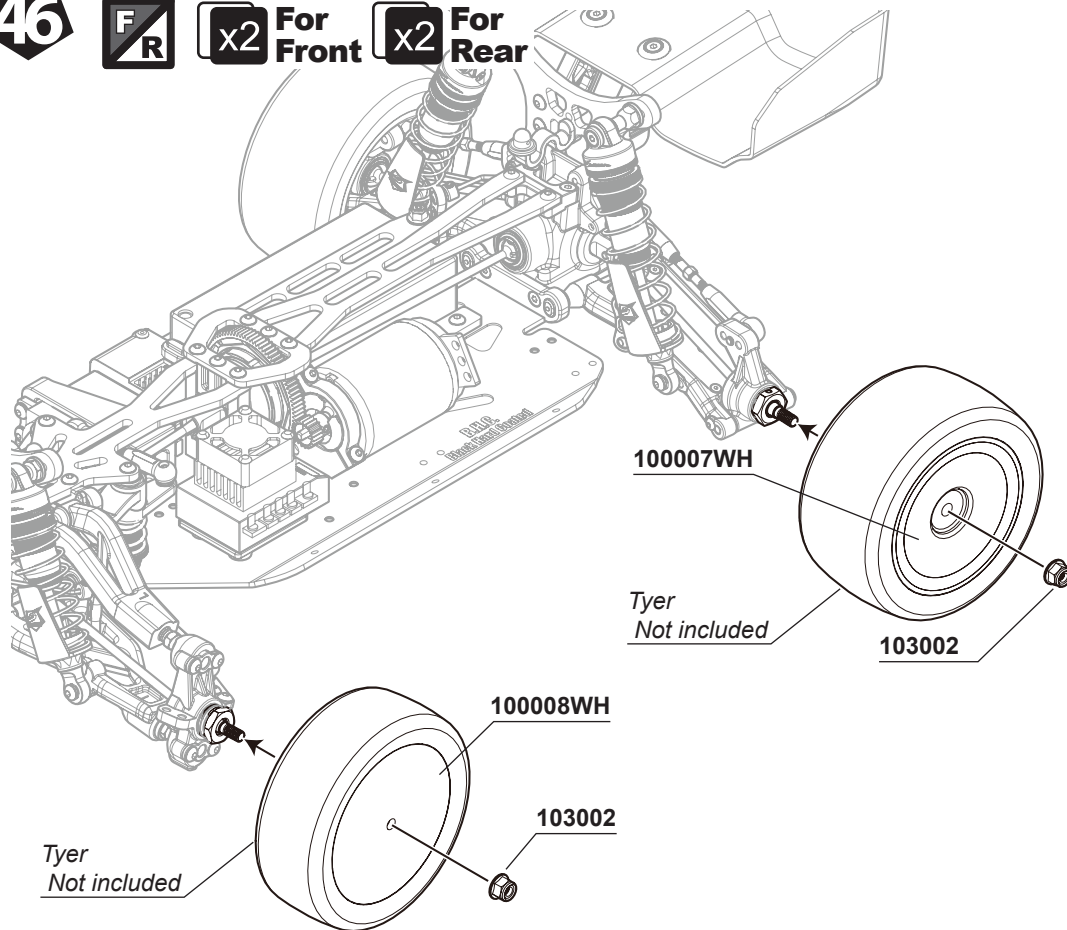


x2 For Front

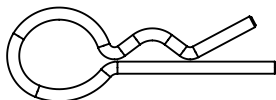
x2 For Rear



330298A
S104 Wheel Nut 14mm **x4**



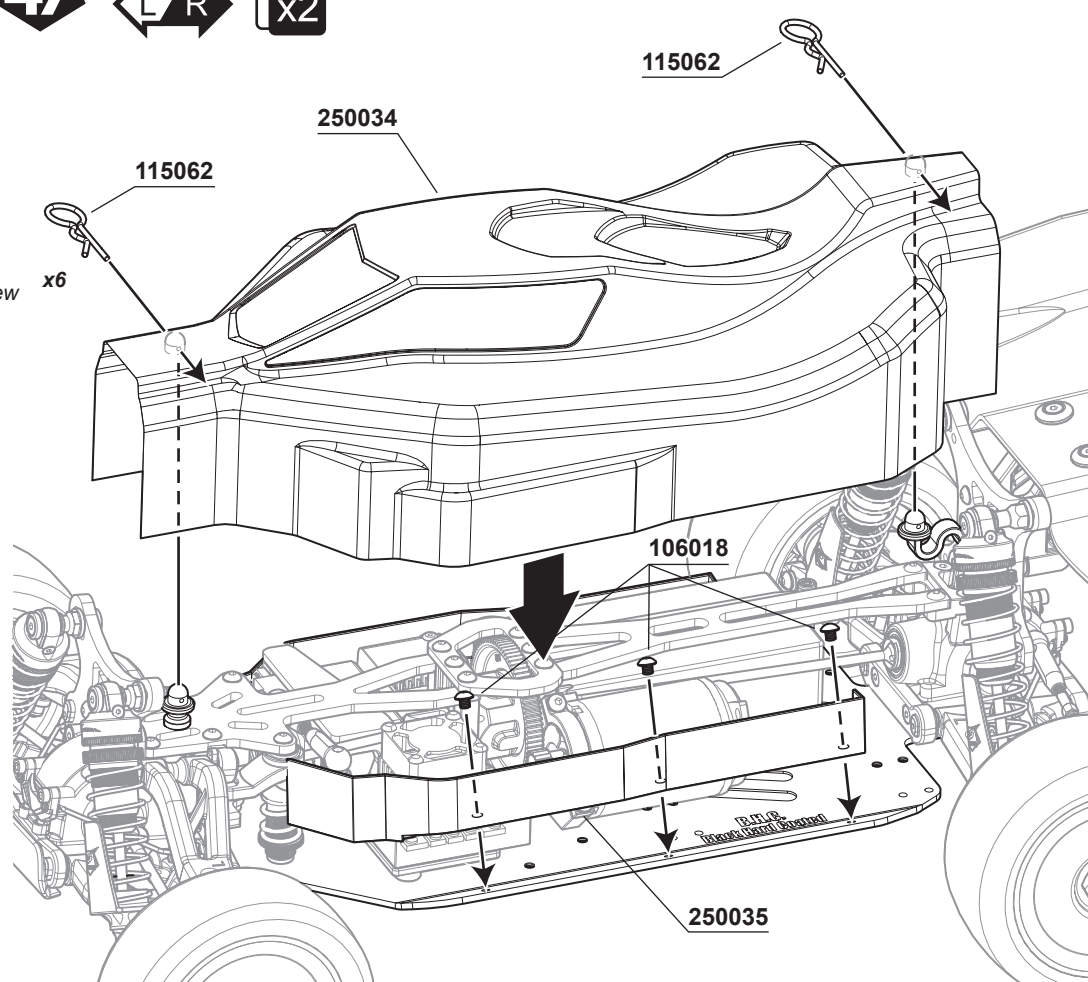
x2



115062
1/10 Body Clip **x2**




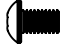
106018
M3x3mm Hex Socket OH/TP Screw **x6**



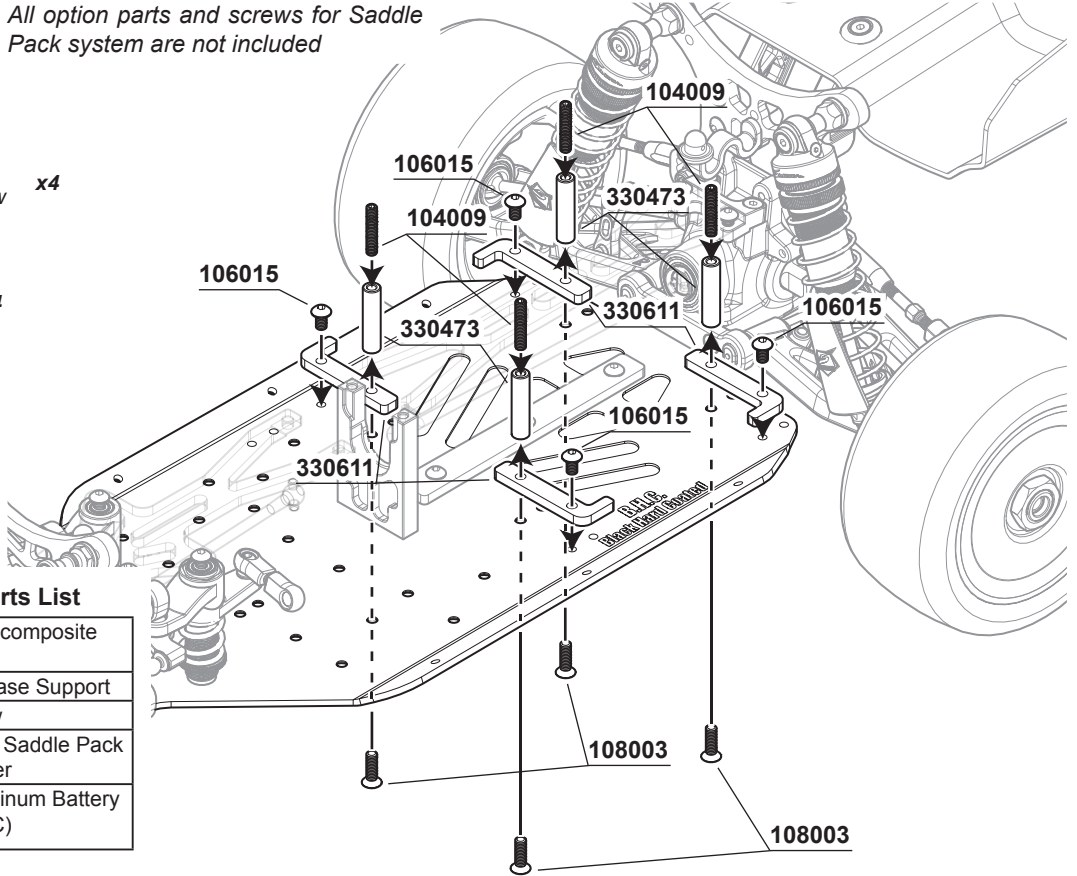
Option Battery Saddle Pack Installation

All option parts and screws for Saddle Pack system are not included

 **104009**
M3x16mm Set Screw x4

 **106015**
M3x5mm Hex Socket OH/TP Screw x4

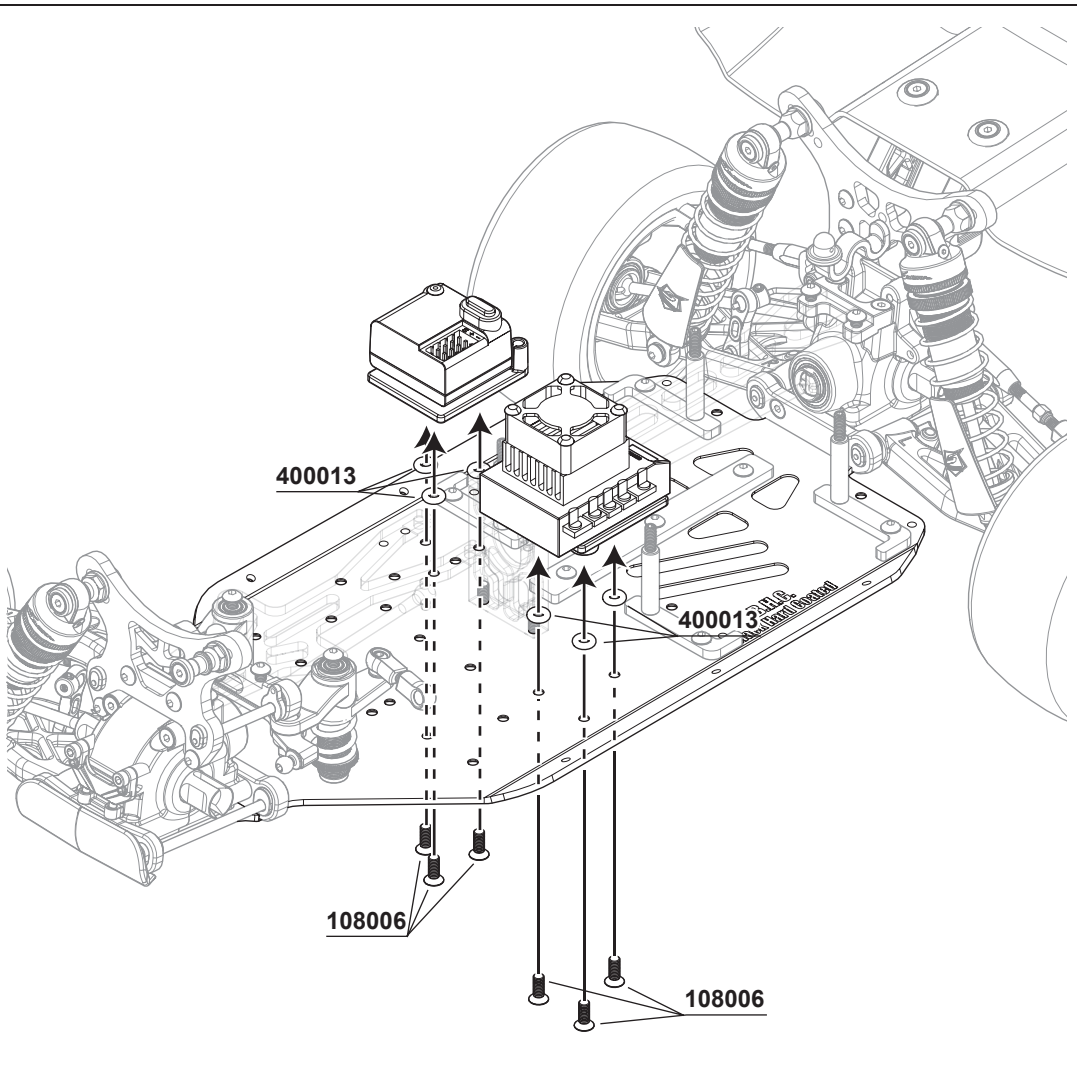
 **108003**
M3x10mm FH/ST HEX Screw x4



Battery Saddle Pack Option Parts List

SW-330611	2015 S104 EVO Pro-composite Carbon Battery Case
SW-330473	S104 EVO Battery Case Support
SW-104009	M3x16mm Set Screw
SW-330470	SWORKz S104 EVO Saddle Pack Carbon Battery Holder
SW-330338A	SWORKz S104 Aluminum Battery Holder Nut (GM)(4PC)

 **108006**
M3x8mm FH/ST HEX Screw x6

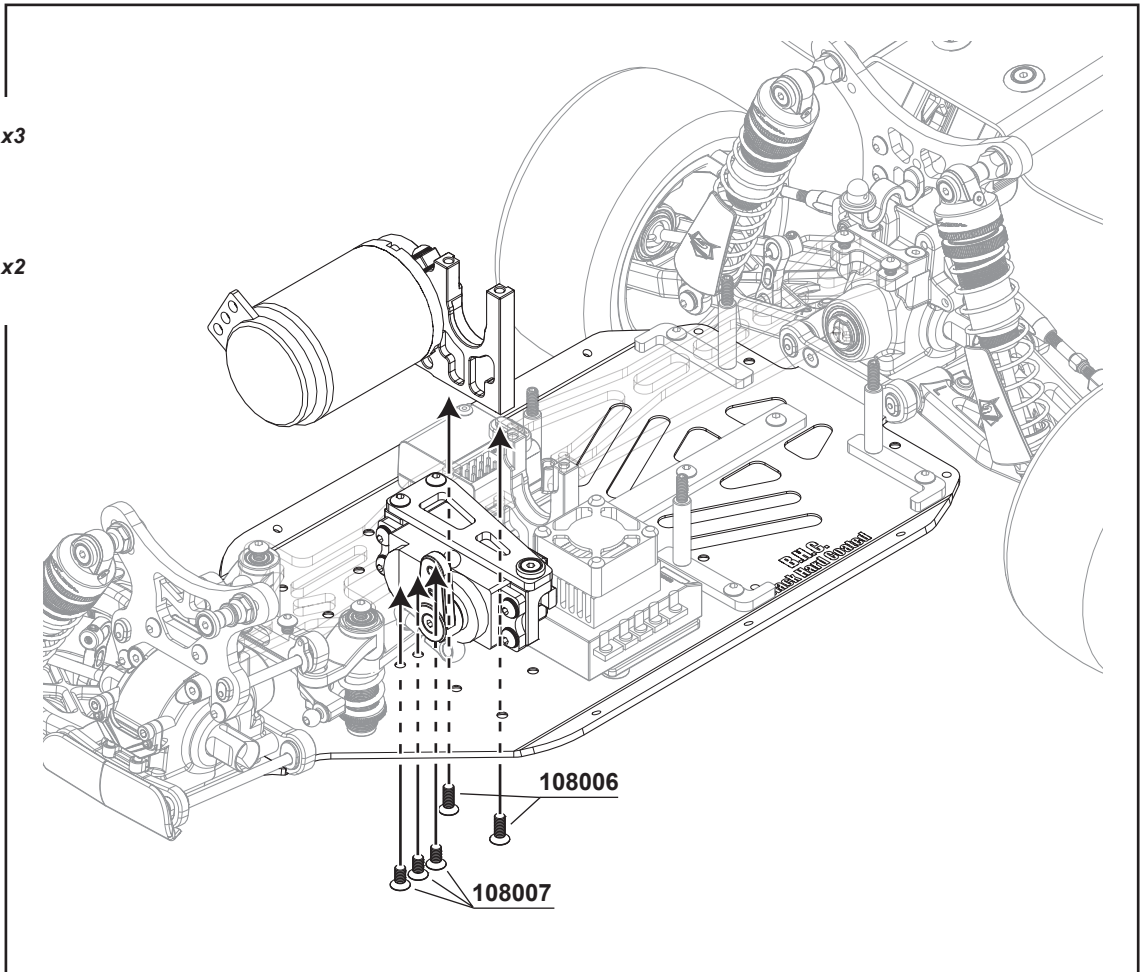




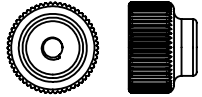
108007
M3x6mm FH/ST HEX Screw x3



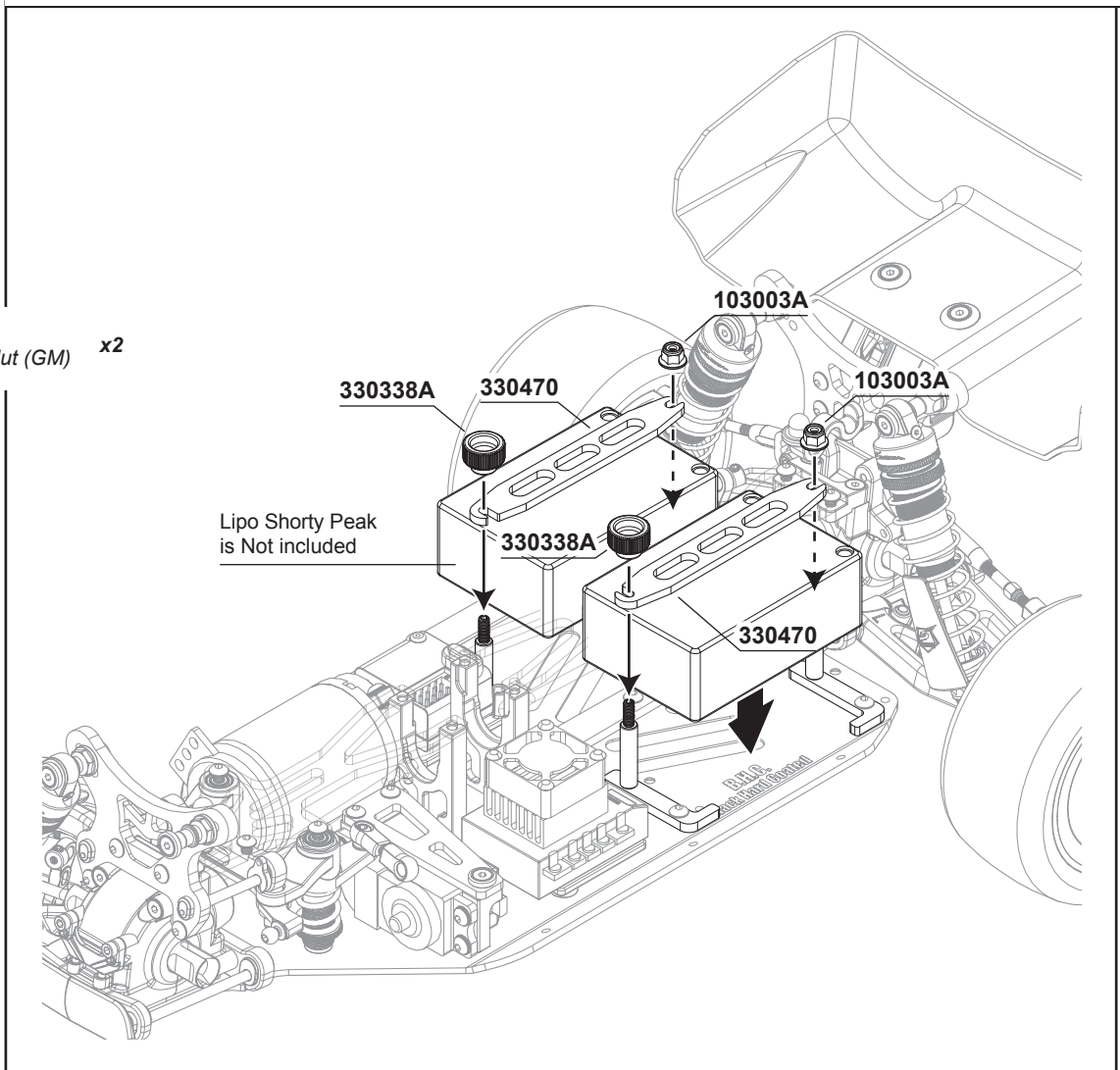
108006
M3x8mm FH/ST HEX Screw x2



103003A
Flange M3 Nut Lock x2

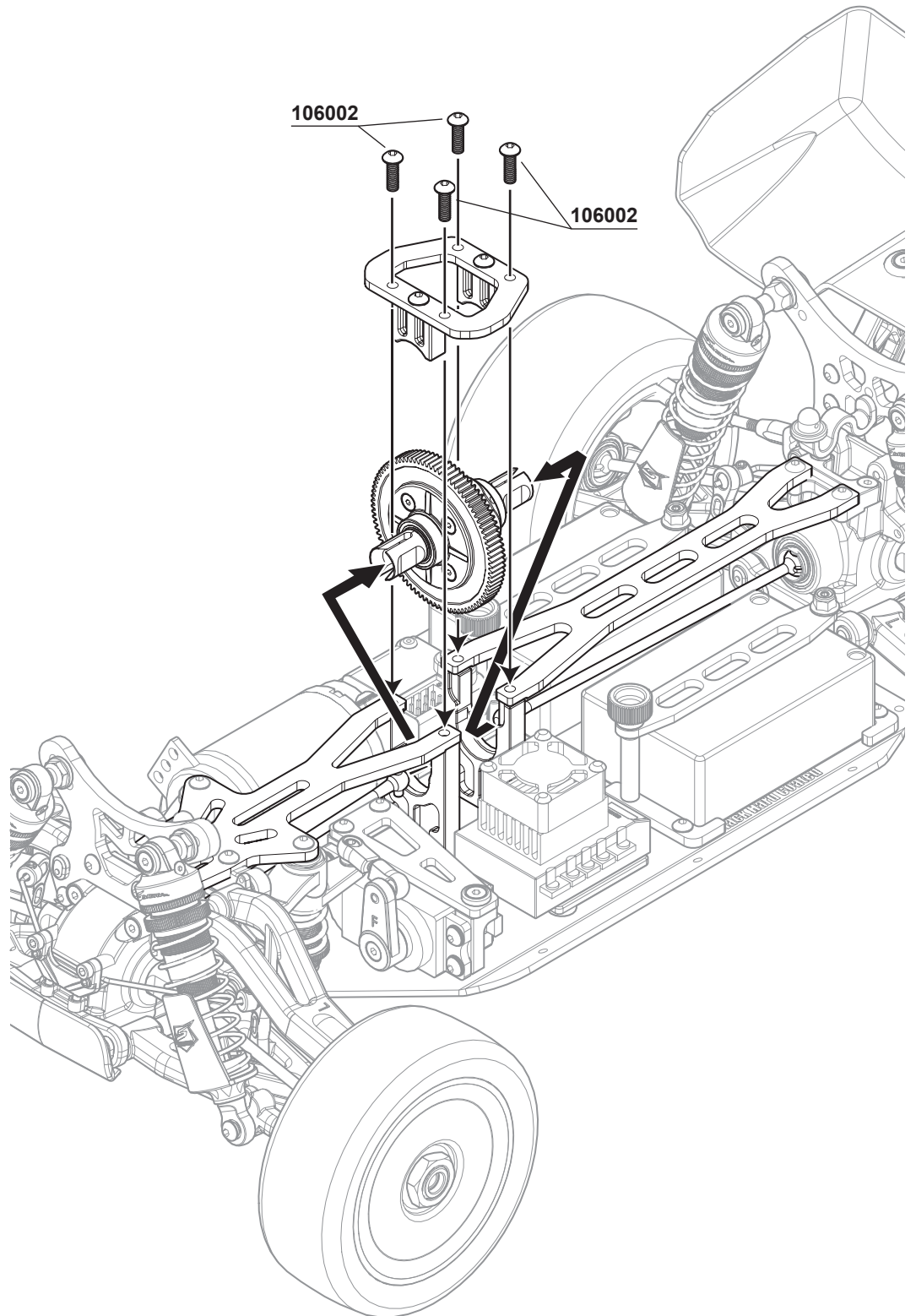


330338A
S104 Aluminum Battery Holder Nut (GM) x2





106002
M3x10mm Hex Socket OH/TP Screw **x4**



S14-2

Track Conditions

- Size: Open Med. Tight
 Traction: High Med. Low
 Surface: Smooth Med. Bumpy

Name: _____
 Date: _____
 Track: _____

Diff. Oil
 Front: _____
 Center: _____
 Rear: _____

Electric System

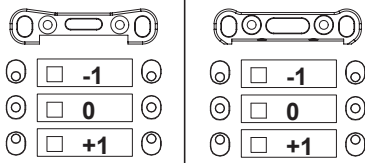
ESC Type: _____
 Motor Type: _____
 Motor Gear/Spur Gear: _____
 Battery Type **A:** Saddle Pack _____
 B: Shorty Pack _____

Tire

Front Rear
 Type: _____ Type: _____
 Foam: _____ Foam: _____

Front Suspension

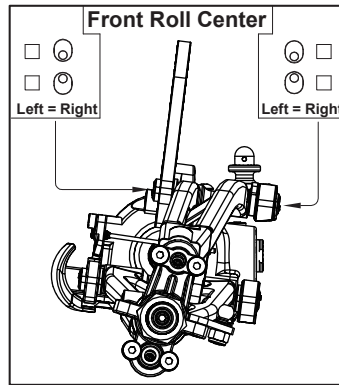
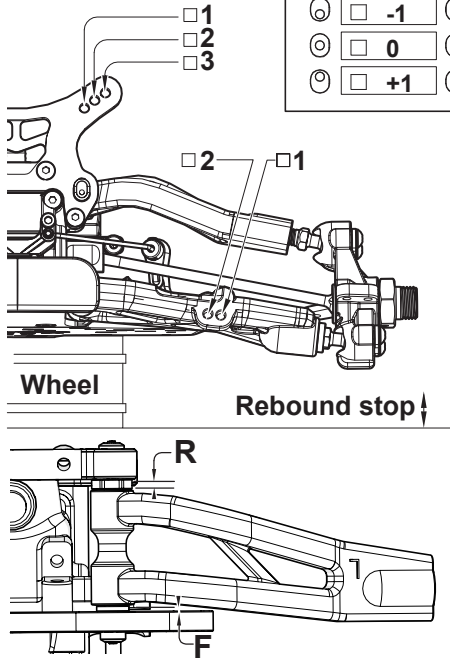
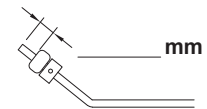
Front in-Board Toe



Front Shocks

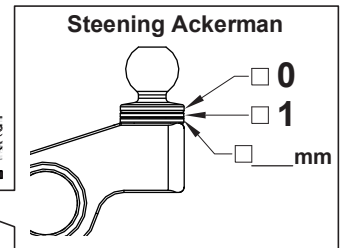
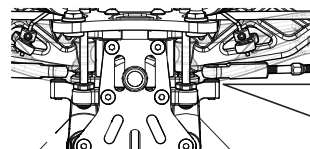
Oil: _____
 Pistons: _____
 Spring: _____
 Spacer: _____ mm

Body: _____
 Wing: _____



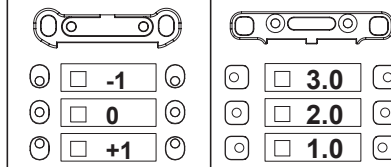
Track width _____ mm
 Camber angle Upper _____ mm
 Lower _____ mm
 Toe angle _____
 Rebound stop _____ mm
 Sway bar Use _____ mm
 None

R: _____ mm
 F: _____ mm



Rear Suspension

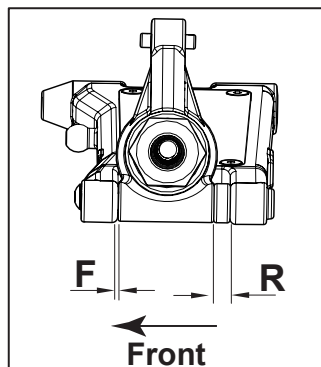
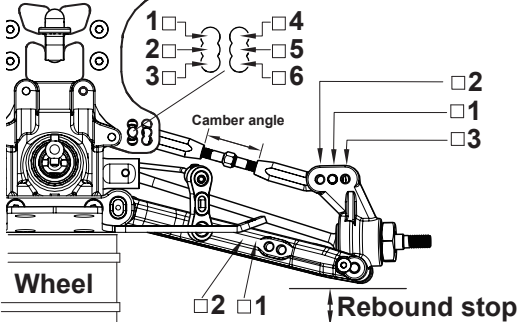
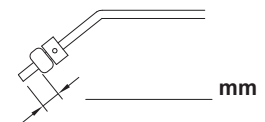
Rear Toe-In



Rear Shocks

Oil: _____
 Pistons: _____
 Spring: _____
 Spacer: _____ mm

Camber angle _____ mm
 Rebound stop _____ mm



Wheelbase F _____ mm
 adjustment R _____ mm
 Sway bar Use _____ mm
 None

Notes: _____

S14-2

Track Conditions

- Size: Open Med. Tight
 Traction: High Med. Low
 Surface: Smooth Med. Bumpy

Name: _____
 Date: _____
 Track: _____

Diff. Oil

Front: _____
 Center: _____
 Rear: _____

Electric System

ESC Type: _____

Motor Type: _____

Motor Gear/Spur Gear: _____

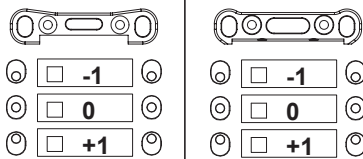
Battery Type A: Saddle Pack _____
 B: Shorty Pack _____

Tire

Front Type: _____ Rear Type: _____
 Front Foam: _____ Rear Foam: _____

Front Suspension

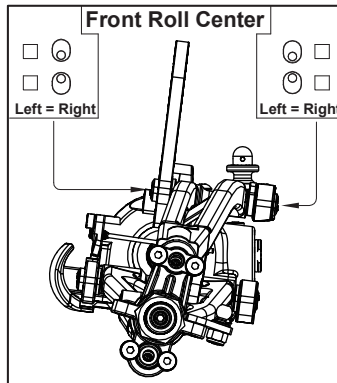
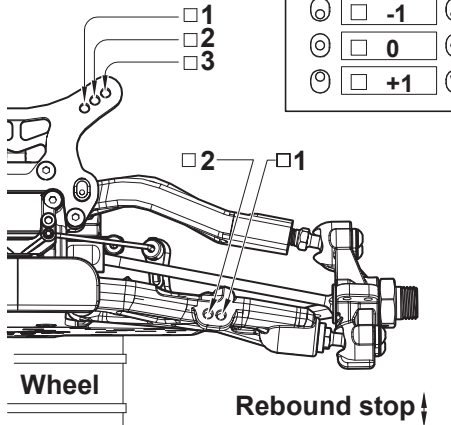
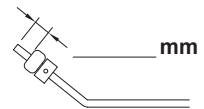
Front in-Board Toe



Front Shocks

Oil: _____
 Pistons: _____
 Spring: _____
 Spacer: _____ mm

Body: _____
 Wing: _____



Track width _____ mm

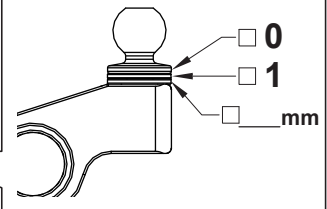
Camber angle Upper _____ mm
 Lower _____ mm

Toe angle _____

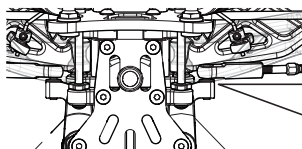
Rebound stop _____ mm

Sway bar Use _____ mm
 None

Steering Ackerman

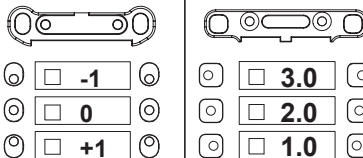


R: _____ mm
 F: _____ mm



Rear Suspension

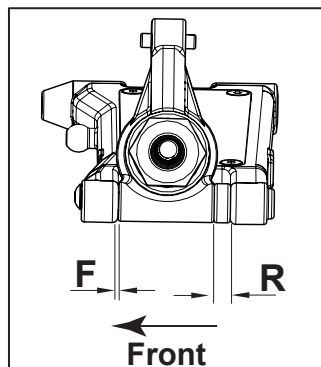
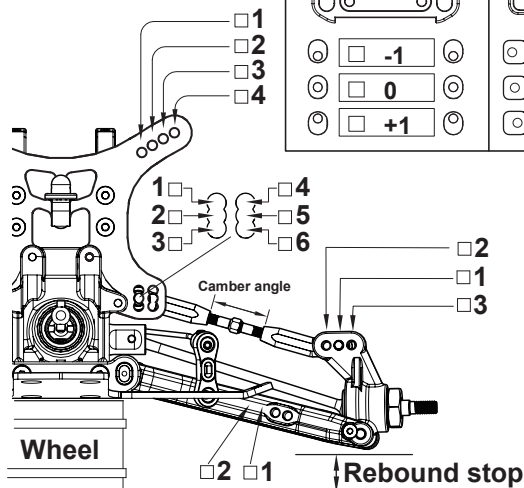
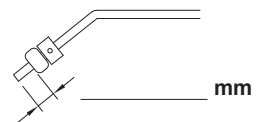
Rear Toe-In



Rear Shocks

Oil: _____
 Pistons: _____
 Spring: _____
 Spacer: _____ mm

Camber angle _____ mm
 Rebound stop _____ mm



Wheelbase F _____ mm
 adjustment R _____ mm

Sway bar Use _____ mm
 None

Notes: _____

S14-2

Track Conditions

Size: Open Med. Tight
 Traction: High Med. Low
 Surface: Smooth Med. Bumpy

Name: _____
 Date: _____
 Track: _____

Diff. Oil

Front: #10000
 Center: #50000
 Rear: #10000

Electric System

ESC Type: Hobby Wing XR10
 Motor Type: Hobby Wing V10 G2 5.5T
 Motor Gear/Spur Gear: 19/87T
 Battery Type A: Saddle Pack B
 B: Shorty Pack S-ePower

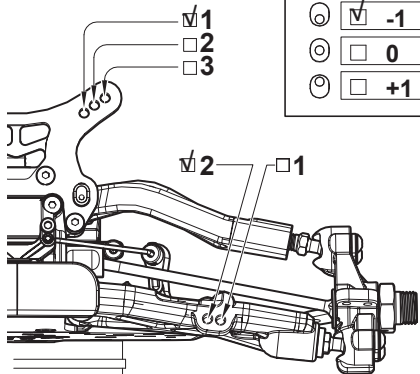
Tire

Front Type: Pro Line Rear Type: Pro Line
 Foam: Pro Line Foam: Pro Line

Front Suspension

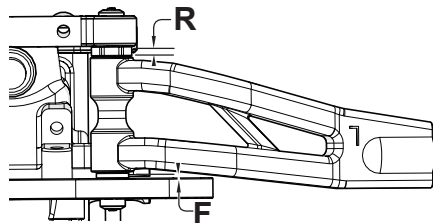
Front in-Board Toe

<input checked="" type="checkbox"/> 1	<input checked="" type="checkbox"/> -1	<input type="checkbox"/> -1
<input type="checkbox"/> 2	<input type="checkbox"/> 0	<input checked="" type="checkbox"/> 0
<input type="checkbox"/> 3	<input type="checkbox"/> +1	<input type="checkbox"/> +1



Wheel

Rebound stop ↓

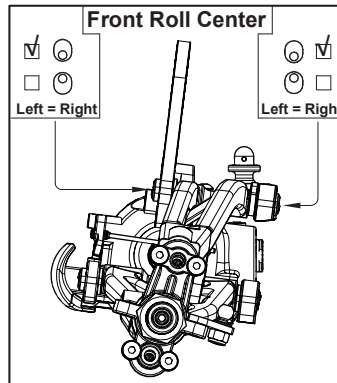


R

F

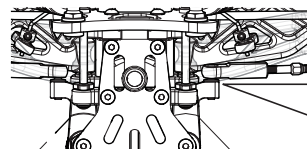
Front Roll Center

Left = Right Right
 Left = Right Right



R: 2 mm

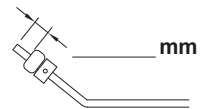
F: 0 mm



Front Shocks

Oil: #400
 Pistons: 1.5x2Holes
 Spring: SB
 Spacer: 15 mm

 Body: SWORKz

 Wing: SWORKz


Track width _____ mm

 Camber angle Upper 1 mm
 Lower 2 mm

Toe angle _____ mm

Rebound stop _____ mm

 Sway bar Use _____ mm
 None

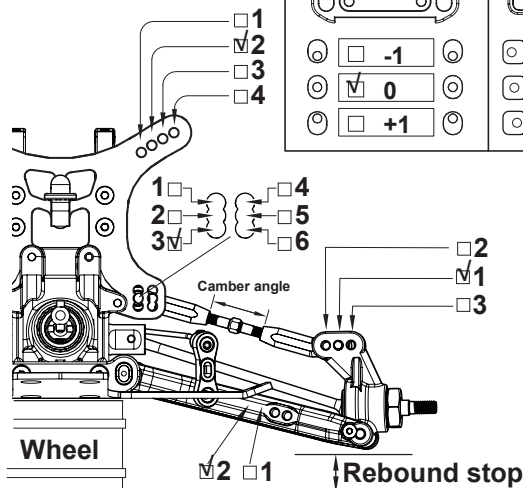
Steering Ackerman

0
 1
 _____ mm

Rear Suspension

Rear Toe-In

<input checked="" type="checkbox"/> 2	<input type="checkbox"/> -1	<input type="checkbox"/> 3.0
<input type="checkbox"/> 3	<input checked="" type="checkbox"/> 0	<input checked="" type="checkbox"/> 2.0
<input type="checkbox"/> 4	<input type="checkbox"/> +1	<input type="checkbox"/> 1.0



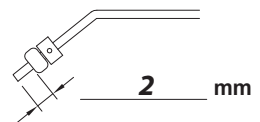
Wheel

Rebound stop ↓

Camber angle

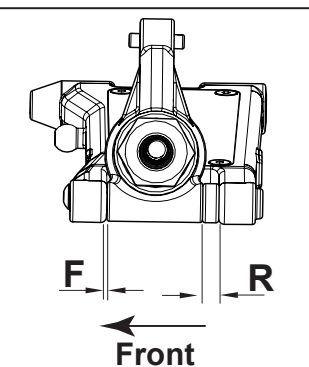
Rear Shocks

Oil: #350
 Pistons: 1.5x2Holes
 Spring: Green
 Spacer: 10 mm

 Camber angle 15.5 mm
 Rebound stop _____ mm

 Wheelbase F _____ mm
 adjustment R 3 mm

 Sway bar Use 1.3 mm
 None

 Notes: _____



F ← → R
 ← Front

Parts No. List			
Part No.	Part Name	Q'ty in Use	Item No.
101011	M2.6x6xT0.5mm	4	SW-101011
101012	M3x6xT0.5mm	6	SW-101012
101023	S104 Shim 10x12x0.1mm	6	SW-101023
101024	S104 Shim 10x12x0.2mm	2	SW-101024
101025	Shim 3.5x10x0.1mm	12	SW-101025
103001	M3 Nut Lock	8	SW-103001
103002	Flange M4 Nut Lock	4	SW-103002
104004	M3x3mm Set Screw	5	SW-104004
104005	Set Screw M3x4	6	SW-104005
104008	M4x4mm Set Screw	4	SW-104008
104009	M3x16mm Set Screw	3	SW-104009
105004	M2.6x6mm Cap Screw	4	SW-105004
106001	M3x8mm Hex Soket OH/TP Screw	11	SW-106001
106002	M3x10mm Hex Soket OH/TP Screw	16	SW-106002
106005	M3x15mm Hex Soket OH/TP Screw	2	SW-106005
106008	M3x12mm Hex Soket OH/TP Screw	6	SW-106008
106010	M3x6mm Hex Soket OH/TP Screw	15	SW-106010
106014	M2x6mm Hex Soket OH/TP Screw	4	SW-106014
106015	M3x5mm Hex Soket OH/TP Screw	7	SW-106015
106018	M3x3mm Hex Soket OH/TP Screw	6	SW-106018
108001	M3x12mm FH/ST HEX Screw	10	SW-108001
108003	M3x10mm FH/ST HEX Screw	16	SW-108003
108006	M3x8mm FH/ST HEX Screw	20	SW-108006
108007	M3x6mm FH/ST HEX Screw	9	SW-108007
108017	M2.6x10mm FH/ST HEX Screw	12	SW-108017
108018	M3x30mm FH/ST HEX Screw	4	SW-108018
108020	M2.0x4mm FH/ST HEX Screw	28	SW-108020
115055	S104 Sway Bar 1.3mm	1	SW-115055
115056	S104 Sway Bar 1.5mm	1	SW-115056
115062	1/10 Body Clip	2	SW-115062
115144	S14/S12/S104 Competition Shock SpringB3(60X1.2X9.75)(FG)	2	SWC-115144
115145	S14/S12/S104 Competition Shock SpringA4(45X1.2X7.5)(SB)	2	SWC-115145
115131	S104 EVO Servo Saver Spring(H)	1	SW-115131
116013	Ball Bearing 10x15x4mm	14	SW-116013
116015	Ball Bearing 5x8x2.5mm	4	SW-116015
116017	Ball Bearing 6x12x4mm	4	SW-116017
117003	Flange Ball Bearing 3x6x2.5mm	4	SW-117003
101020A	3mm Countersunk Washers (GM)	9	SW-101020A
103003A	Flange M3 Nut Lock (GM)	1	SW-103003A
200193	Antenna Tube	1	SW-200193
210036	S104 Diff. Case	3	SW-210036
2501794C	S104 Front Lower Arm L	1	SW-2501794C
	S104 Front Lower Arm R	1	
	S104 Front Upper Arm L	1	
	S104 Front Upper Arm R	1	
	S104 Sway Bar Linkage	2	
2501796A	S104 Gear Box Rear	2	SW-2501796A
	S104 Gear Box Front	2	
	S104 S-way Bar Holder	2	
2501797B	S104 Plastic Knuckle Pivot Ball Washer 2mm	2	SW-2501797B
	S104 Rear Hub Carrier	2	
	S104 Pivot Ball Cup	4	
	S104 Front Steering Knuckle (L&R)	2	
	S104 Plastic Steering Knuckle Plate (L&R)	2	
2501798A	S104 Rear Lower Arm Plate (0-3.0D)	1	SW-2501798A
2501800	S104 Rear Wing Washer	2	SW-2501800
	S104 Rear Wing	1	

Parts No. List			
Part No.	Part Name	Q'ty in Use	Item No.
2501801B	S104 Setting Bellcrank A Upper	1	SW-2501801B
	S104 Setting Bellcrank B Lower	1	
	S104 Setting Bellcrank Left	1	
	S104 Steering Servo Mount	1	
	S104 Steering Servo Horn (For Futaba)	1	
	S104 Steering Servo Horn (For Sanwa & KO)	1	
	S104 Steering Servo Horn (For Hitec)	1	
	S104 Front Body Mount	1	
	S104 Rear Body Mount	1	
	2501806B	S104 Ball End 5mm (Curve)	
S104 Ball End 5mm		6	
S104 Ball End S		2	
S104 5mm Steering Ball Cap (S)		2	
S104 5mm Steering Ball Cap (M)		2	
2501807	S104 Plastic Shock Washer 3.3x6.5x1mm	4	SW-2501807
	S104 Plastic Shock Washer 3.3x6.5x2.5mm	4	
	S104 Plastic Shock Piston 1.3mmx5 holes	4	
	S104 Plastic Shock Piston 1.2mmx5 holes	4	
	S104 Shock Cap Insert	4	
	S104 Shock Spring Holder L	2	
	S104 Shock Spring Holder S	2	
	S104 Plastic Shock Cap Stud	4	
2501808	S104 Shock Ball End	4	SW-2501808
	S104 R/F Insert (1 degree)	16	
	S104 R/F Insert (0 degree)	16	
	S104 Rear Lower Arm Done Stop Holder L	2	
	S104 Rear Lower Arm Done Stop Holder R	2	
	S104 Front Upper Arm Insert (2mm)	4	
	S104 Servo Savor Plastic Insert 5x8x2.5mm	4	
2502524	S104 Rear Hub Carrier Insert	8	SW-2502524
	S104 EVO ESC Smart Protection Plastic Holder	1	
	S104 EVO Receiver Smart Protection Plastic Holder	1	
	S104 EVO Front Bumper	2	
2502527	S104 EVO Plastic Center Diff/Slipper Clutch Holder	2	SW-2502527
	S104 EVO Center Gear Diff 87T Spur Gear (48DP)	1	
	S104 EVO Center Gear Diff 87T Spur Gear (48DP)	1	
2503138	S14 EOS Rear Lower Shorty Arm (L/R) (For 12mm hex)	1	SW-2503138
	S14 EOS Rear Lower Shorty Arm Upper Cover	1	
	S14 EOS Rear Lower Shorty Arm Bottom Cover	1	
	S14 EOS Rear Wheel Hub Carrier	1	
	S14 EOS Rear Upper linkage ball end (Curve)	1	
2503210	Eccentric Busshing 0	2	SW-2503210
	Eccentric Busshing 0.5-0	2	
	Eccentric Busshing 1.0-0	2	
	Eccentric Busshing 0.5-0.5	2	
	Eccentric Busshing 1.0-1.0	2	
100008WH	TPRO 1/10 4WD Off Road Front Dish Wheel (WH)	2	TP-100008WH
100007WH	TPRO 1/10 4/2WD Off Road Rear Dish Wheel (WH)	2	TP-100007WH
250034	S104 EVO Velocity Body Shell	1	SW-250034
250035	S104 EVO Velocity Body Shell Side Guard Set (L/R)	1	SW-250035
330134	Shock Ball Stud	4	SW-330134
330155	Steering Servo Turnbuckle (M3x30mm)	4	SW-330155
330277	S104 Diff. Bevel Gear 18T	6	SW-330277
330278	S104 Diff. Bevel Gear 10T	12	SW-330278
330279	S104 Bevel Gear Shaft	6	SW-330279
330282	S104 Front/Rear Diff. Outdrive	6	SW-330282
330283	S104 Pin M2.0x10mm	12	SW-330283
330284	S104 Crown Gear 42T	2	SW-330284
330285	S104 Pin M2.0x14mm	4	SW-330285
330286	S104 Pinion Gear 17T	2	SW-330286
330292	S104 Front/Rear Lower Arm HingPin	4	SW-330292
330293	S104 Rear Hub Carrier Hing pin	2	SW-330293
330294	S104 CVD Axle	4	SW-330294
330295	S104 CVD Join	6	SW-330295
330296A	S104 PRO CVD Drive Shaft 78mm	2	SW-330296A

Spare Part List

Item No.	Part Name
SW-2501794C	S104 EVO/S14-2 Front Up/Lower Arm Set
SW-2501796A	S104EVO Gear Box Set (F&R)
SW-2501797B	S104/EVO Front Steering Knuckle andRear Hub Carrier Set
SW-2501798A	S104 EVO Wing Stay Set with Bumper and Arm Holder
SW-2501800	S104 Rear Wing Set
SW-2501801B	S104 EVO Settring Bellcrank Set with Servo Horn Set
SW-2501806B	S104 EVO Plastic Ball End Set
SW-2501807	S104 Shock Spring Holder with Ball End Plastic Parts
SW-2501808	S104 Plastic Insert Set
SW-2502524	S104 EVO Plastic Bumper Accessories Set
SW-2502527	S104 EVO Center Gear Diff 87T Spur Gear (48DP)
SW-2503138	S104 EVO Rear Lower Shorty Arm for 12mm hex
SW-2503210	SWORKz 1/10 Eccentric Bushing Set
TP-100007WH	TPRO 1/10 4/2WD Off Road Rear Dish Wheel (WH)
TP-100008WH	TPRO 1/10 4WD Off Road Front Dish Wheel (WH)(4pc)
SW-101011	M2.6x6xT0.5mm
SW-101012	M3x6xT0.5mm
SW-101020A	S350 Sries 3mm Countersunk Washers (GM)
SW-101023	Shim 10x12x0.1mm
SW-101024	Shim 10x12x0.2mm
SW-101025	Shim 3.5x10x0.1mm
SW-103001	M3 Nut Lock
SW-103002	Flange M4 Nut Lock
SW-103003A	Flange M3 Nut Lock (GM)
SW-104004	M3x3mm Set Screw
SW-104005	Set Screw M3x4
SW-104008	M4x4mm Set Screw
SW-104009	M3x16mm Set Screw
SW-105004	M2.6x6mm Cap Screw
SW-106001	M3x8mm Hex Soket OH/TP Screw
SW-106002	M3x10mm Hex Soket OH/TP Screw
SW-106005	M3x15mm Hex Soket OH/TP Screw
SW-106008	M3x12mm Hex Soket OH/TP Screw
SW-106010	M3x6mm Hex Soket OH/TP Screw
SW-106014	M2x6mm Hex Soket OH/TP Screw
SW-106015	M3x5mm Hex Soket OH/TP Screw
SW-106018	M3x3mm Hex Soket OH/TP Screw
SW-108001	M3x12mm FH/ST HEX Screw
SW-108003	M3x10mm FH/ST HEX Screw
SW-108006	M3x8mm FH/ST HEX Screw
SW-108007	M3x6mm FH/ST HEX Screw
SW-108017	M2.6x10mm FH/ST HEX Screw
SW-108018	M3x30mm FH/ST HEX Screw
SW-108020	M2.0x4mm FH/ST HEX Screw
SW-115055	S104 Sway Bar 1.3mm
SW-115056	S104 Sway Bar 1.5mm
SW-115062	1/10 Body Clip
SW-115090	S104EVO/S102 Front Shock Spring(1.3P5.5)
SW-115091	S104EVO/S102 Rear Shock Spring(1.2Px6.0)
SW-115131	S104 EVO Servo Saver Spring(H)
SWC-115144	S14/S12/S104 Competition Shock SpringB3(60X1.2X9.75)(FG)
SWC-115145	S14/S12/S104 Competition Shock SpringA4(45X1.2X7.5)(SB)
SW-116013	Ball Bearing 10x15x4mm
SW-116015	Ball Bearing 5x8x2.5mm
SW-116017	Ball Bearing 6x12x4mm
SW-117003	Flange Ball Bearing 3x6x2.5mm (2pc)
SW-200193	Antenna Tube
SW-210036	S104 Diff. Case Set
SW-210065A	S14-2/S12-1 series Pro Shock Seal Kit
SW-250034	SWORKz S104 EVO Velocity Body Shell Set
SW-250035	SWORKz S104 EVO Velocity Body Shell Side Guard Set
SW-330134	Shock Ball Stud 6mmxL6.7
SW-330155	Steering Servo Turnbuckle (M3x30mm)
SW-330278	S104 Diff. Bevel Gear Set
SW-330279	S104 Bevel Gear Shaft

Spare Part List

Item No.	Part Name
SW-330282	S104 Front/Rear Diff. Outdrive
SW-330283	S104 Pin M2.0x10mm
SW-330284	S104 Crown Gear 42T
SW-330285	S104 Pin M2.0x14mm
SW-330286	S104 Pinion Gear 17T
SW-330292	S104 Front/Rear Lower Arm HingPin (2pc)
SW-330293	S104 Rear Hub Carrier Hing pin (2pc)
SW-330294	S104 CVD Axle (2pc)
SW-330295	S104 CVD Join (2pc)
SW-330296A	S104 PRO CVD Drive Shaft 78mm
SW-330304A	S104 Aluminum Shock Spring Adjust Nut (BK)
SW-330312A	S104 Aluminum Shock Cap Stud
SW-330314	S104 Steering Knuckle Pivot Ball Turnbuckle (4pc)
SW-330315	Sway Bar Linkage Ball Stud (4pc)
SW-330316A	S104 Aluminum Knuckle Pivot Ball Washer 2mm (GM)
SW-330324	S104 Motor Gear 20T
SW-330327	S104 Servo Saver Shaft
SW-330328	S104 Servo Saver Post
SW-330329	S104 Servo Saver Nut
SW-330331	S104 Steering Linkage Ball Stud 5mm (4pc)
SW-330332	S104 Front Upper Arm Arm HingPin (2pc)
SW-330338	S104 Aluminum Battery Holder Nut
SW-330342A	S104 Aluminum Front Upper Arm Holder (BK)
SW-330473	S104 EVO Battery Case Support
SW-330476	S104 EVO Front Pro-composite Carbon Shock Tower
SW-330477	S104 EVO Rear Pro-composite Carbon Shock Tower
SW-330526	S12-1 Rear CVD Drive Shaft (72.5mm)
SW-330529	S104EVO/102 Shock Body (L)
SW-330530	S104EVO/102 Shock Body (S)
SW-330531	S104EVO/102 Shock Shaft(L)
SW-330532	S104EVO/102 Shock Shaft(S)
SW-330544	S102 Shoick Seal Cover (SP)
SW-330546	S102 Shock Cap (SP)
SW-330547	S104EVO/S102 Shock Piston(1.5mmX2 Holes)
SW-330581	S12-1 Rear CVD Axle for 12mm Wheel Hex
SW-330582	S12-1 Rear Wheel Hub for 12mm wheels
SW-330583	Pin for M2.0x12mm
SW-330594A	S14-2 T-7075 Aluminum Main Chassis
SW-330595	S104 EVO Rear Lower Arm Holder for FCSS chassis
SW-330596	S104 EVO Aluminum Rear Lower Arm Plate For FCSS Chassis (0-3.0D)
SW-330597	S104 EVO Rear Longer Aluminum Shock Cap Stud
SW-330598	S104 EVO Front Lower Arm Holder for FCSS chassis
SW-330599	S104 EVO Pro-composite Carbon Center Support (Front)
SW-330600	S104 EVO Aluminum Steering Bellcrank A Upper
SW-330601	S104 EVO Servo Saver Steering Plate
SW-330602	S104 EVO Aluminum Center Motor Mount (Bottom)
SW-330603	S104 EVO Aluminum Motor Adjust Mount
SW-330604	S104 EVO Aluminum Center Motor Mount Cover
SW-330605	S104 EVO Aluminum Center Diff/Slipper Clutch Mount
SW-330606	S104 EVO Front Lower Suspension Plate
SW-330607	S104 EVO Aluminum Rear Center Support Holder
SW-330609A	S14-2 Pro-composite Carbon Center Support (Rear-Soft)
SW-330610	S104 EVO Pro-composite Carbon Center Diff/Slipper Clutch Cover
SW-330611	2015 S104 EVO Pro-composite Carbon Battery Case
SW-330612	S104 EVO Aluminum Servo Holder
SW-330613	S104 EVO Aluminum Servo Post
SW-330614	S104 EVO Pro-composite Carbon Servo Linkage Plate
SW-330615	S104 EVO Pro-composite Carbon Chassis Brace
SW-330616	S104 EVO Rear Center Drive Shaft 113mm
SW-330617	S104 EVO Front Center Drive Shaft 80mm
SW-330618	2015 S104 EVO Shorty Pack Pro-composite Carbon Battery Holder
SW-330643	S104 EVO Steering Linkage 5mm Ball Stud (L7mm)
SW-330675	S104 EVO Front Wheel Hub for 12mm wheels
SW-330763	S104 EVO 7075 Aluminum Rear Lower Fully Adjustable Toe-In Block
SW-330796	S14-2/S104 EVO Aluminum Steering Knuckle Plate

Spare Part List

Item No.	Part Name
SW-400002	O-ring S5 4.8X1.5
SW-400008	S104 O-ring for Pinion Gear 7.65x1.2mm (2pc)
SW-400014	S104 Aluminum Shock Spring Adjust Nut O-Ring 1.5x13.5mm
SW-410047	S102 Shock Cap O-Ring (SP)
SW-410049	1/10 Shock Seal Cap O-ring (8*10*1)
SW-610012	S104 Diff. Gasket (0.4T) (2pc)

Option Part List

Item No.	Part Name
SW-115084	S104 Sway Bar 1.1mm
SW-115085	S104 Sway Bar 1.2mm
SW-115086	S104 Sway Bar 1.4mm
SW-115087	S104 Sway Bar 1.6mm
SW-210039	S104 Series F/R Diff. Set (42T)
SW-210068	S104 EVO Series Center Slipper Clutch Set
SW-210075	SWORKz S104 EVO 12mm Hex Wheels Conversion Kit
SW-210083	S104 EVO 14mm Hex System Conversion Kit
SW-2501800ABK	S104 Rear Wing Set (W/O Holes) (BK)
SW-2501800AFY	S104 Rear Wing Set (W/O Holes) (FY)
SW-2501800AOG	S104 Rear Wing Set (W/O Holes) (OR)
SW-2501800AWH	S104 Rear Wing Set (W/O Holes) (WH)
SW-2501956	S104 Front Wheel (FY) (2pc)
SW-2501957	S104 Rear Wheel (FY) (2pc)
SW-2503134-01	S104 EVO Center Gear Diff 72T Spur Gear (48DP)
SW-2503134-02	S104 EVO Center Gear Diff 78T Spur Gear (48DP)
SW-250042	SWORKz 1/10 sonic lexan wing 6.5"
SW-250042BK	SWORKz 1/10 sonic lexan wing 6.5" (BK)
SW-250042WH	SWORKz 1/10 sonic lexan wing 6.5" (WH)
SW-330335	S104 Aluminum Rear Wing Washer
SW-330338	S104 Aluminum Battery Holder Nut (4pc)
SW-330342	S104 Aluminum Front Upper Arm Holder
SW-330409	S104 Motor Gear 19T
SW-330410	S104 Motor Gear 21T
SW-330411	S104 Motor Gear 22T
SW-330412	S104 Motor Gear 23T
SW-330413	S104 Motor Gear 24T
SW-330418	S104 Carbon Fiber Battery Holder Set for Saddle Pack
SW-330442	S104 Aluminum Pivot Ball Cup Holder Set (4pc)
SW-330443	S104 Pivot Ball Cup Insert 3.7mm (4pc)
SW-330587	S102/104 EVO Aluminum Slipper Clutch Case
SW-330588	S104 EVO Center Slipper Clutch Axle Holder
SW-330591	S104 EVO Center Slipper Clutch Spring Nut
SW-330592	S104 EVO Center Slipper Clutch Outdrive
SW-330758	S104 EVO Aluminum Front Shock Tower
SW-330764	S104 EVO Aluminum Rear Shock Tower
SWC-115140	S14/S12/S104 Competition Shock Spring A2(45X1.2X8.5)(FY)
SWC-115141	S14/S12/S104 Competition Shock Spring A3(45X1.2X8.0)(GN)
SWC-115142	S14/S12/S104 Competition Shock Spring B1(60X1.2X10.75)(PN)
SWC-115143	S14/S12/S104 Competition Shock Spring B2(60X1.2X10.25)(FO)
SWC-115146	S14/S12/S104 Competition Shock Spring A5(45X1.2X7.0)(BL)
SWC-115147	S14/S12/S104 Competition Shock Spring B4(60X1.2X9.25)(SB)

Sworkz

www.sworkz.com



SPEEDMASTER HOBBY CO., LTD.

TEL: +886-3-538-7638

FAX: +886-3-538-7328

No.42, Ruiguang St., Xiangshan Dist.,
Hsinchu City 300, Taiwan (R.O.C.)

www.sworkz.com