

ZEUS

1/8 Pro Monster Truck



SWORKZ ZEUS II INSTRUCTION MANUAL





INSTRUCTION

Congratulations on your purchase of the new SWORKz 1/8th scale ZEUS II off-road Monster Truck Pro Kit.

The ZEUS II project is the result of SWORKz passion for improvement. Combining every detail into a more balanced and improved truck called the "ZEUS II".

The ZEUS II EP Truck incorporates many of the race-inspired features from the S35-T2E and S35-4E Pro Kits. This Truck provides precise feedback, a nimble and balance feel that will suit drivers of all levels. The SWORKz design team put their efforts into proper weight distribution for the ZEUS II EP Monster Truck. Proper weight distribution proved to be instrumental to the setup during the testing phase of the ZEUS II EP Monster Truck..

The SWORKz ZEUS II EP Monster Truck comes standard with many high quality parts like a T7075 aluminum chassis (same S35-4E chassis hard coating process), front and rear shock towers. It also has S35-T2E Pro Kit's 16mm BBS Racing Shocks, High Performance Crown and Pinion Gears and oil filled differentials provide traction and balance to the truck on different off-road surfaces.

The ZEUS II EP Monster Truck uses the S35-T2e newly designed center Motor mount that makes it possible to easily change the motor or adjust the free play of the gears.

The pivot ball steering system gives the driver sharp and accurate turning feedbacks. The ZEUS II EP Monster Truck comes with a race inspired base set up that is easy to drive.

ZEUS II Kit Features:

1. Quality T7075 Aluminum Main Chassis.
2. Quality T7075 Front and Rear Shock Towers.
3. SWORKz S35-T2e BBS Race Shock System.
4. High Performance CNC machined Crown Gears and Pinion Gears.
5. F/R Full CVA Drive Shafts.
6. Aluminum rear toe in plate is included (SW-330266).
7. Aluminum Adjustable Front and Rear Lower Plastic Insert Toe-In system.
8. Double Protection Bumper Design.
9. Sealed Front and Rear Arms design.
10. Adjustable Front Upper and Lower Suspension Arm System.
11. ZEUS Speed Rhinocero III Pre-Cut EP Body Shell is included.



Specification	
Length:	530mm
Width:	410mm
Height:	230mm
Ground Clearance:	75mm
Wheelbase:	325-330mm
Track:	F:355mm / R:355mm
Gear Ratio:	C:45-47/15T, F/R 46/10T
Weight:	4470g (Full Equipment)

WARRANTY

Your SWORKz ZEUS II kit warranty covers workmanship and manufacturing defects of the original and unmodified parts. Warranty claims resulting from crashes, abuse, improper operation, improper mounting, improper adjustment or lack of maintenance will not be honored.

Contact your local hobby shop or SWORKz distributor for all claims and questions. Claims must be well documented. All Claims are subject to expert examination approval by SWORKz.



INSTRUCTION	2
Warranty	3
Required Equipment for Operation	5
Operation Guide	6
Assembly Steps	7-33
ZEUS II Key No. List	34
ZEUS II Spare Part List	34-35
ZEUS II Option Part List	35
End cover	36

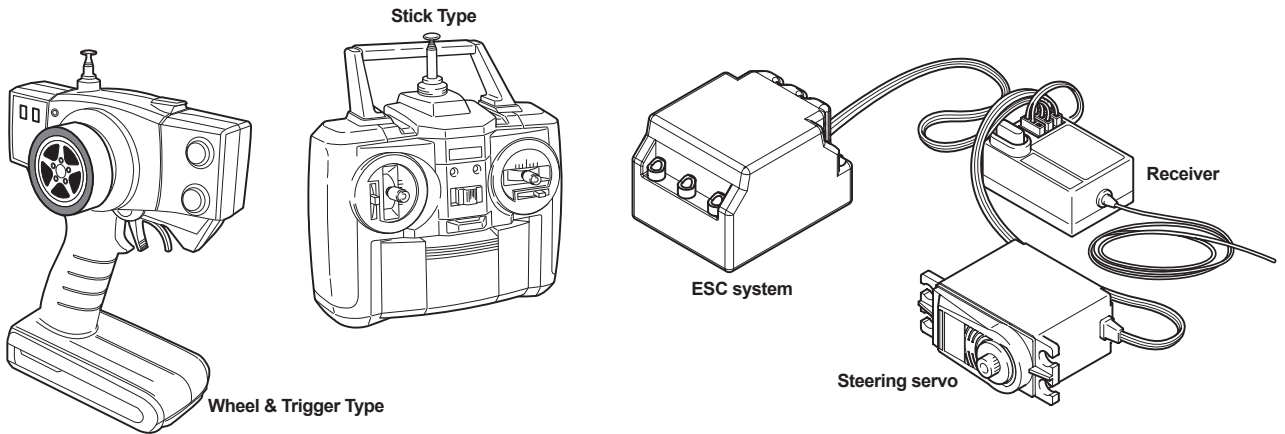


This radio controlled racing car is not a toy!

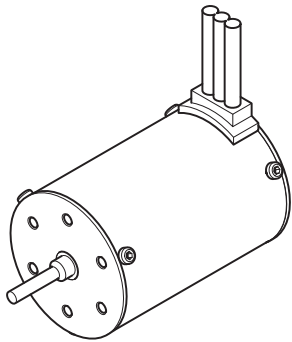
This high-performance R/C model is recommended for ages 14 and older.

Required Equipment for Operation

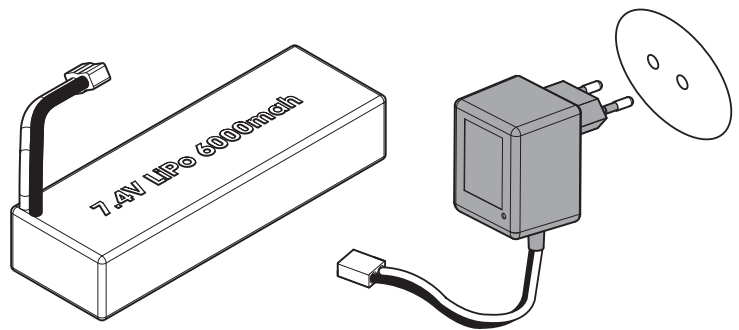
Radio Gear



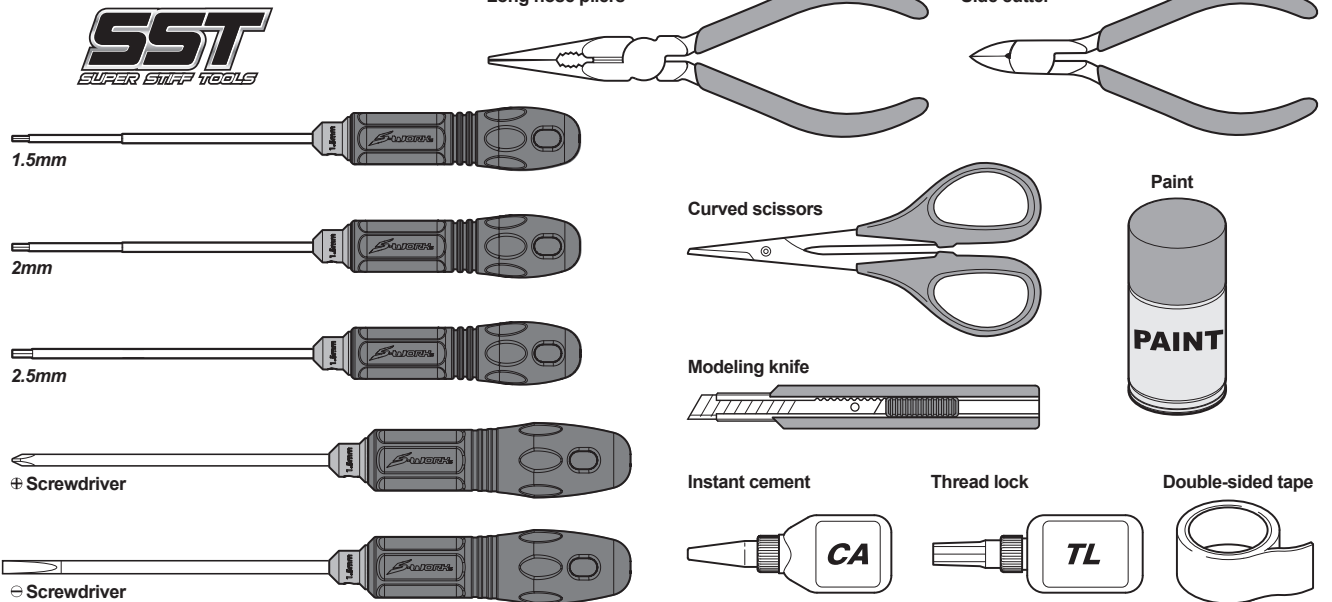
Breshless Motor



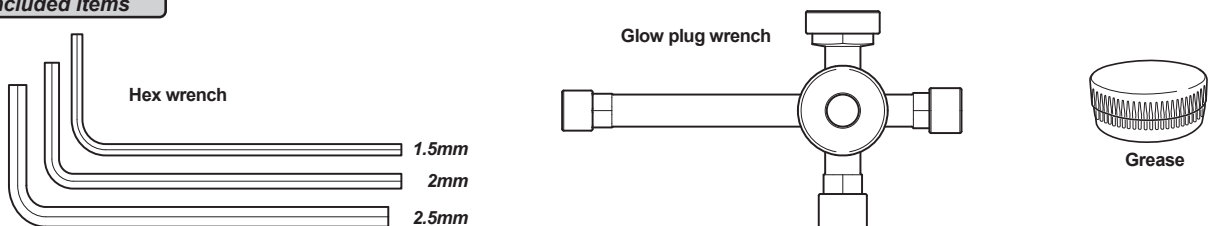
Charger and LiPo Battery



Tools Recommended



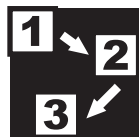
Included items



Operation Guide



Assemble front and rear



Assemble in the specified order



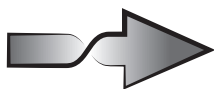
Assemble both left and right sides



Assemble for 2 sets



Assemble for 4 sets



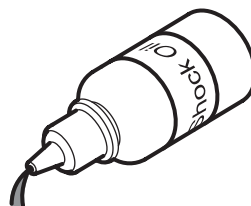
overturn



Thread Locking Compound



Grease



Pure Silicone Oil



Air filter oil

Safety Precautions

The SWORKz ZEUS II is a high performance radio controlled model which needs to be operated with caution and common sense.

The ZEUS II Pro Kit is not intended for children under the age of 14 without adult supervision. SWORKz shall not be held liable for any loss or damages, whether direct, indirect, act of nature, arising from the abuse or misuse of this product or any other product required while operating this model.

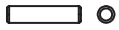
- The LiPO Battery can be dangerous is improperly handled.
- Always keep your LiPO Battery in a cool area and never use near flame, sparks, or while smoking.
- Keep your LiPO Battery, and all other flammables, out of the reach of children.
- After running your car, all parts of the Motor and ESC can become extremely hot. Be careful not to touch these parts.
- This model is controlled by your radio and that is vulnerable to interference from many outside sources. This interference can cause a loss of control so it is necessary to operate this model in an open area to avoid personal, or property damage. Always ensure turning on your radio first.
- Keep all the products included in the package out of reach of children.

BAG B

1

F
R

x2



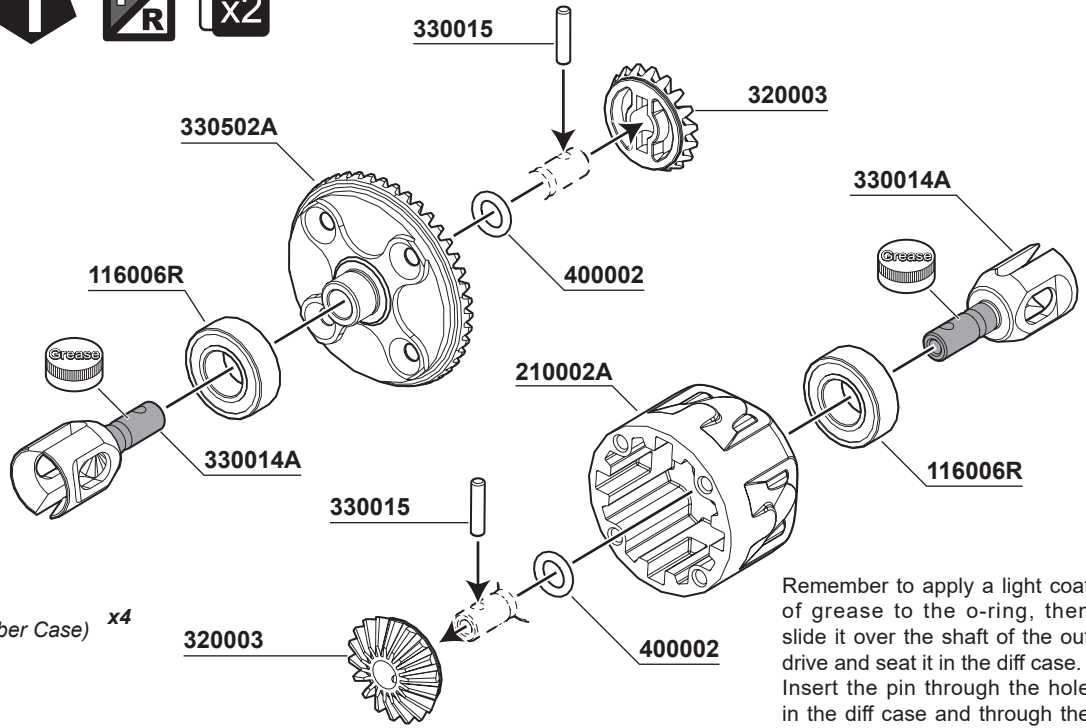
330015
Pin M2.2x9.9mm **x4**



400002
O-ring S5 4.8X1.5 **x4**



116006R
Ball Bearing 8x16x5mm (Red Rubber Case) **x4**



Remember to apply a light coat of grease to the o-ring, then slide it over the shaft of the out drive and seat it in the diff case. Insert the pin through the hole in the diff case and through the hole in the shaft of the out drive.

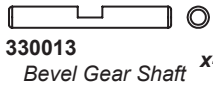
2

F
R

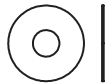
x2



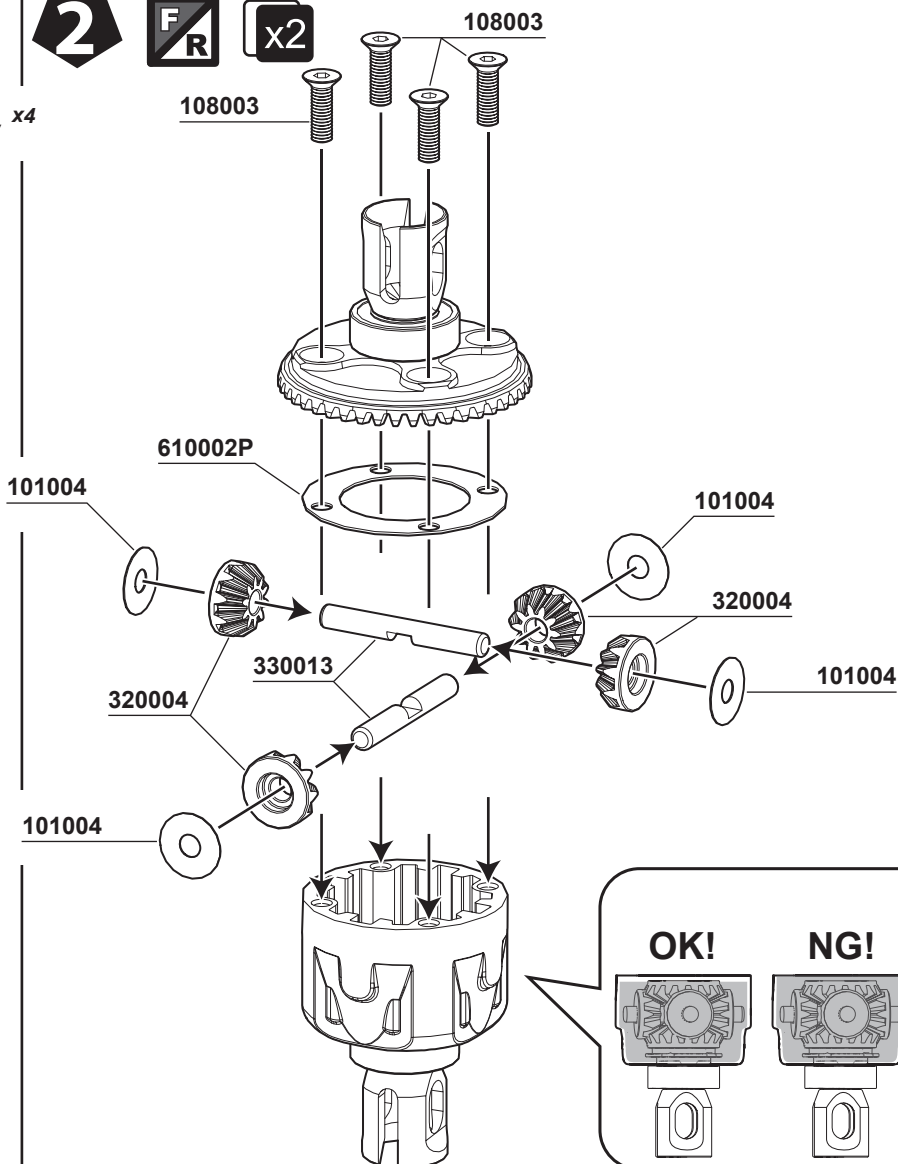
108003
M3x10mm FH/ST HEX Screw **x4**



330013
Bevel Gear Shaft **x4**



101004
Washer 3.5X10X0.2mm **x8**



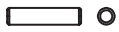
OK!

NG!

Fill the differentials with oil up to 80% above the satellite gears. Put the SWORKz Diff. Oil 7000cps for the front Diff. and 3000cps for the rear Diff.

BAG C

3



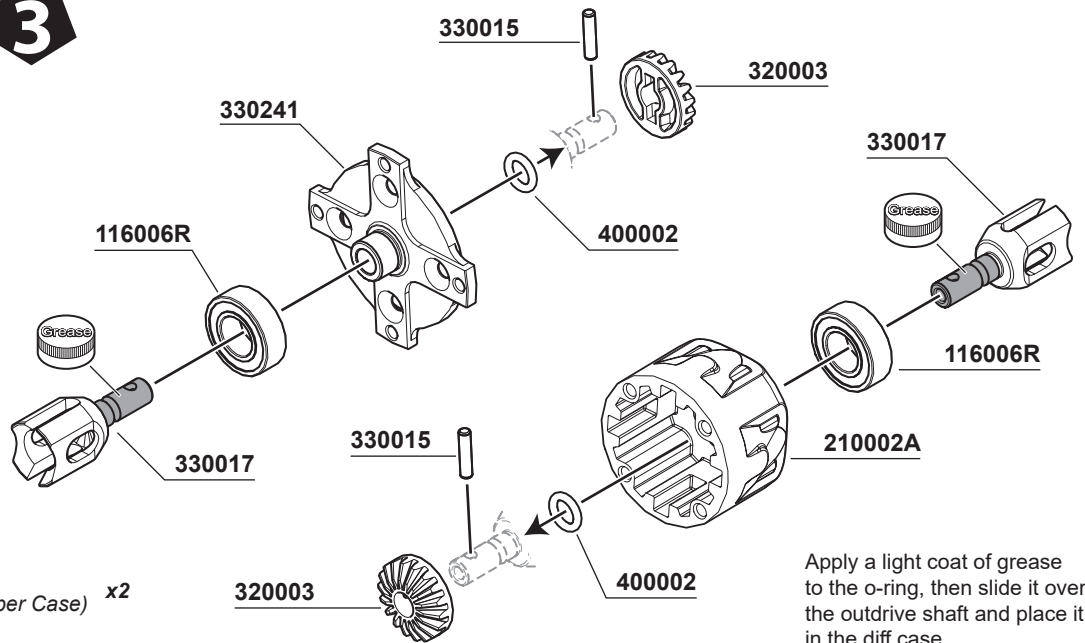
330015
Pin M2.2x9.9mm x2



400002
O-ring S5 4.8X1.5 x2



116006R
Ball Bearing 8x16x5mm (Red Rubber Case) x2



Apply a light coat of grease to the o-ring, then slide it over the outdrive shaft and place it in the diff case.
Insert the pin through the hole of the out drive.

4



108007
M3x6mm FH/ST HEX Screw x4



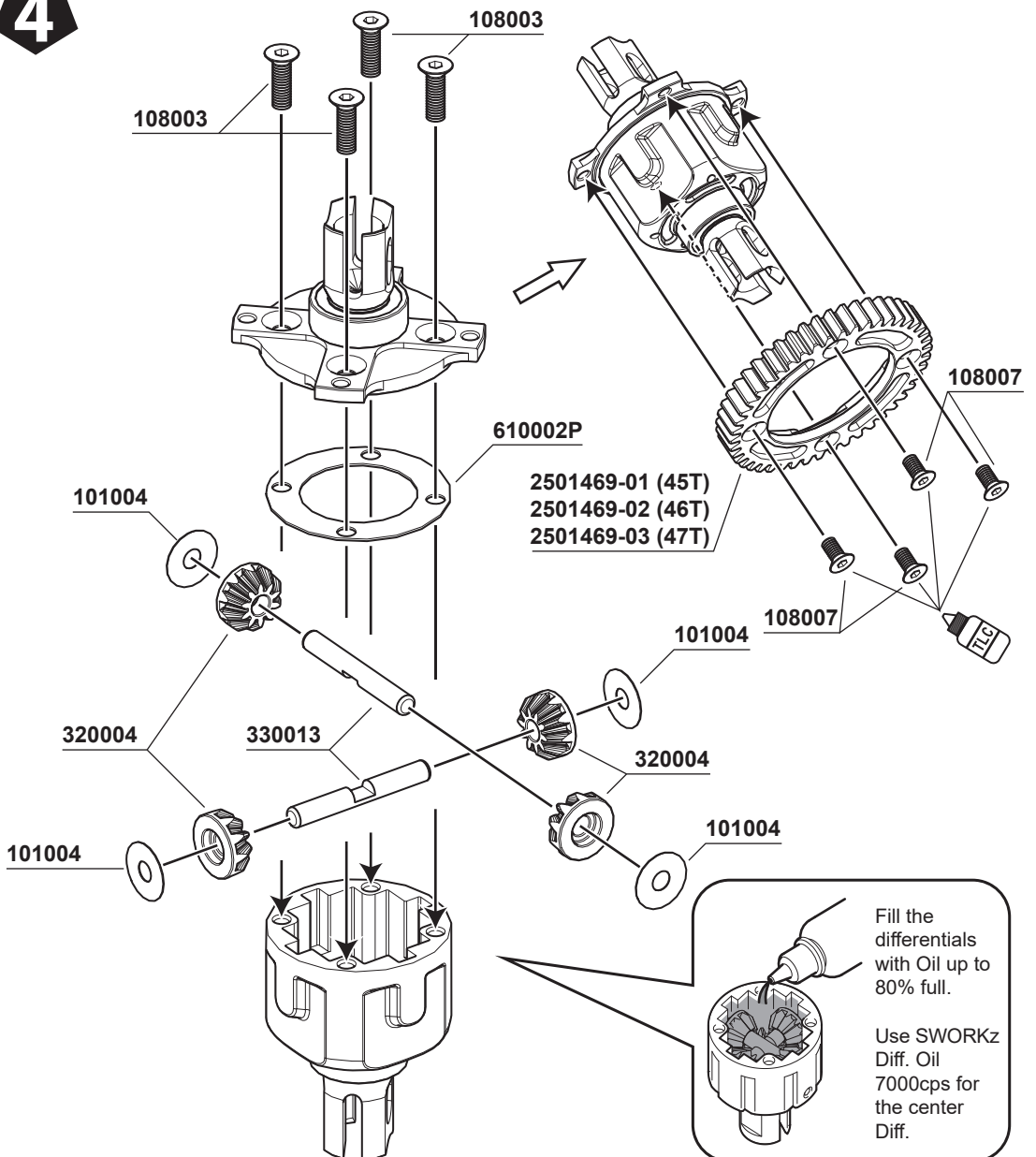
108003
M3x10mm FH/ST HEX Screw x4



330013
Bevel Gear Shaft x2



101004
Washer 3.5X10X0.2mm x4



Fill the differentials with Oil up to 80% full.
Use SWORKz Diff. Oil 7000cps for the center Diff.



104010
M5x4mm Set Screw (Flat Bottom) x1



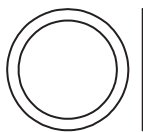
106010
M3x6mm Hex Socket OH/TP Screw x3



108001
M3x12mm FH/ST HEX Screw x4



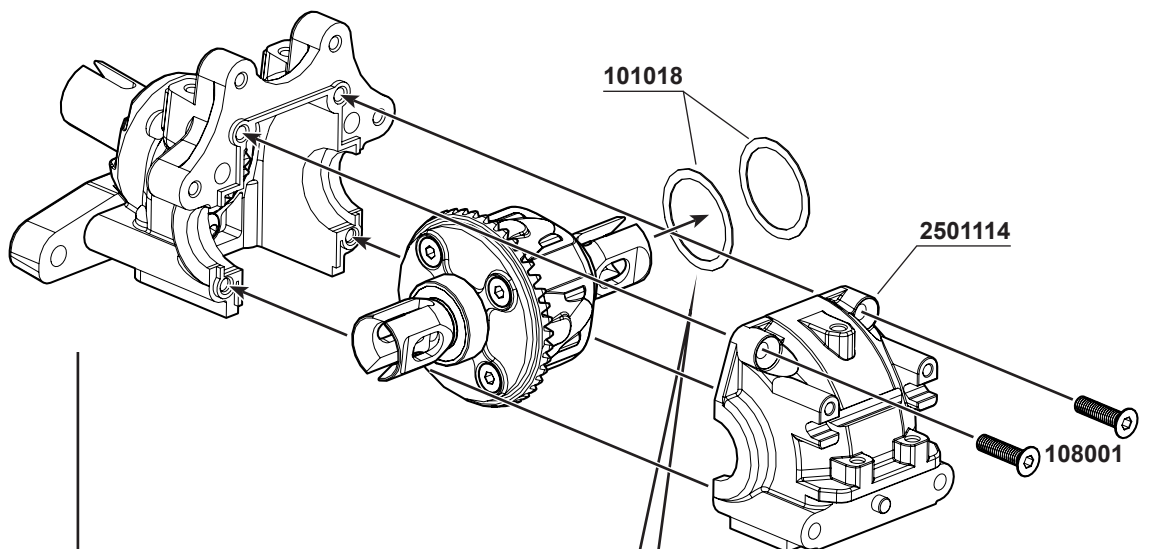
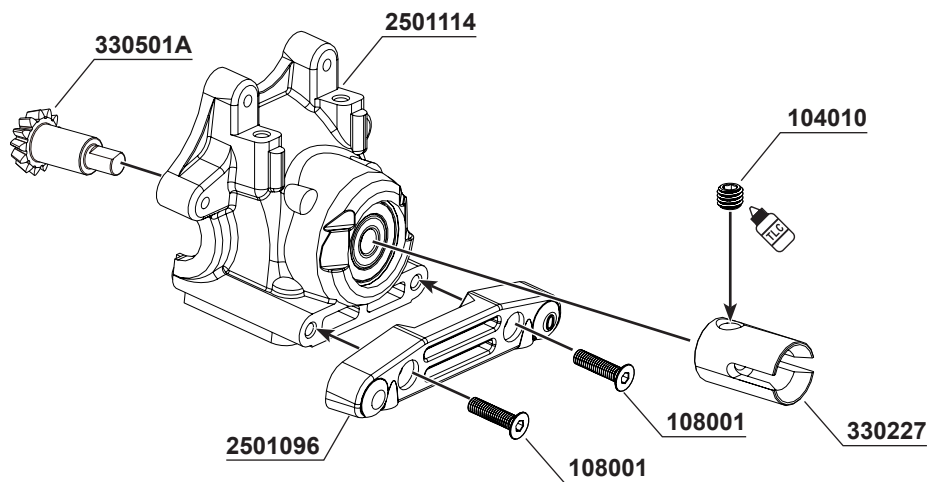
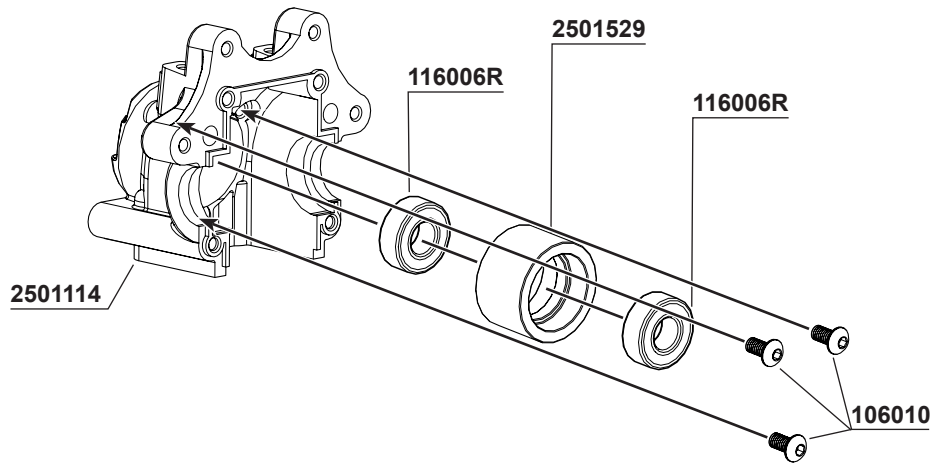
116006R
Ball Bearing 8x16x5mm (Red Rubber Case) x2



101018
SHIM 13x16x0.2mm



106012
M3x35mm Hex Scket OH/TP Screw x2



Please use the SHIM 13x16x0.2mm to adjust when the play was bigger between the crown gear and pinion gear.

6 Rear



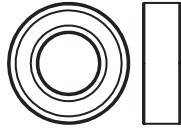
104010
M5x4mm Set Screw (Flat Bottom) x1



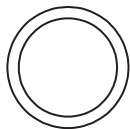
108001
M3x12mm FH/ST HEX Screw x2



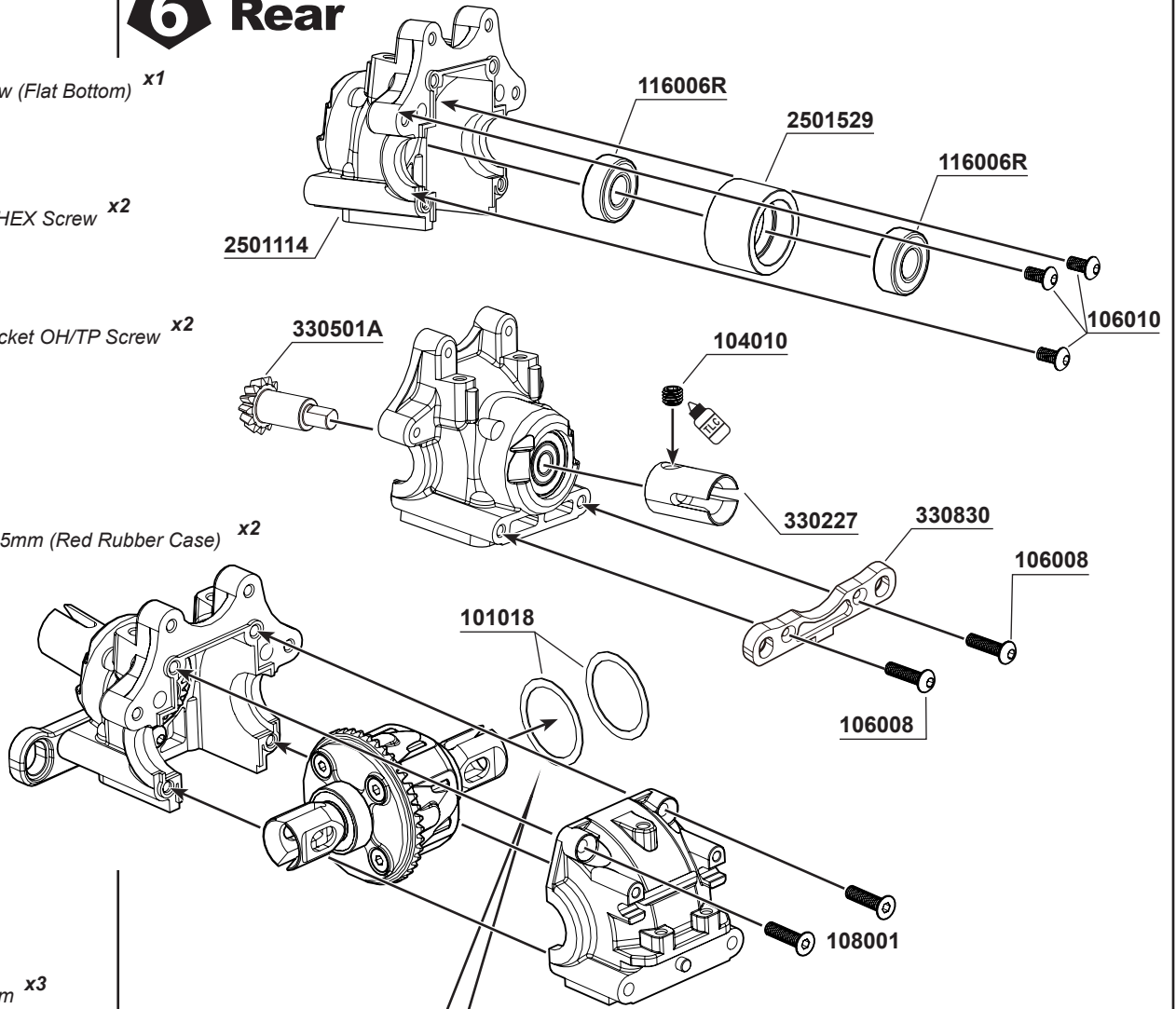
106008
M3x12mm Hex Socket OH/TP Screw x2



116006R
Ball Bearing 8x16x5mm (Red Rubber Case) x2



101018
SHIM 13x16x0.2mm x3



Please use the SHIM 13x16x0.2mm to adjust when the play was bigger between the crown gear and pinion gear.

BAG E1

7



x2



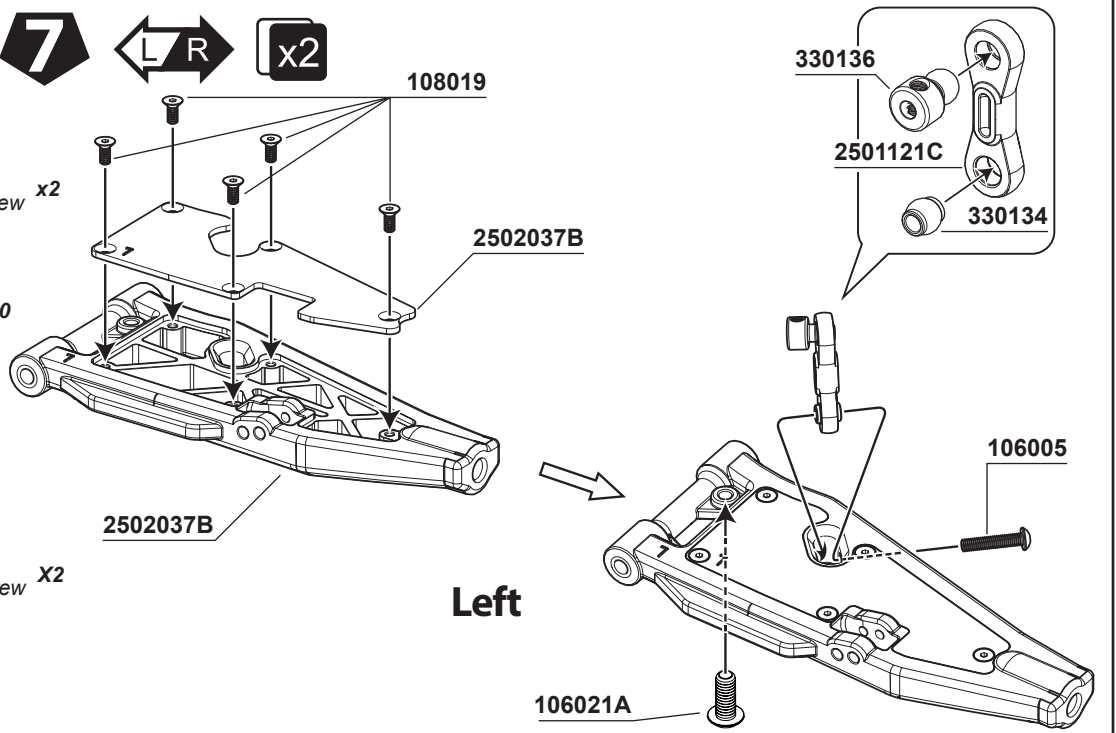
106005
M3x15mm Hex Socket OH/TP Screw x2



108019
M2.6x6mm FH/ST HEX Screw x10



106021A
M4x10mm Hex Socket OH/TP Screw x2



Left

8



108008
M3x35mm FH/ST HEX Screw x2



101020A
3mm Countersunk Washers (GM) x2

330831

2503260-24.25

330103

2503260-24.25

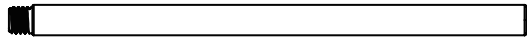
101020A

108008

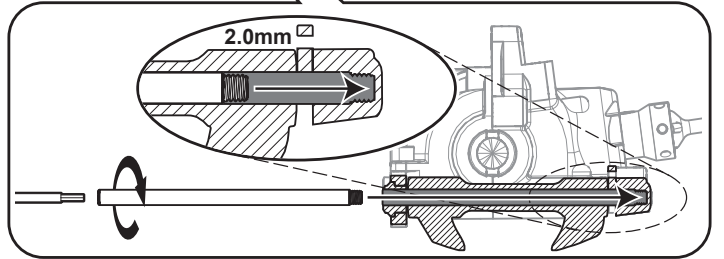
2501100

2501100

Use a 2mm Hex Wrench and slowly tighten the Hinge Pins.



330103
Front/Rear Lower Arm HingPin x2



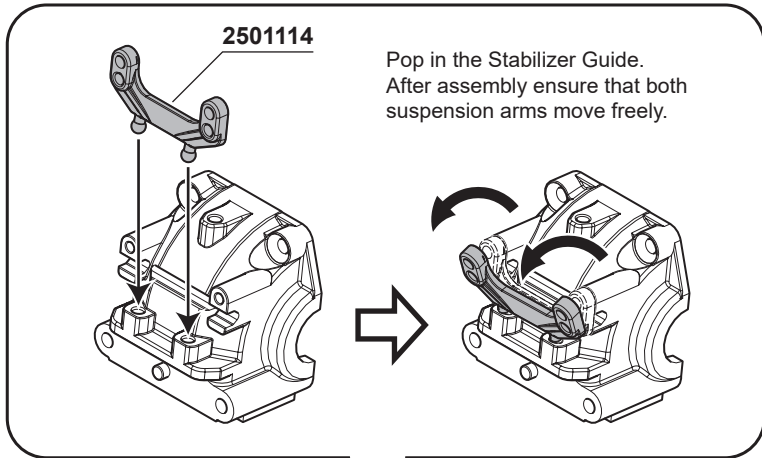
9



104004
M3x3mm Set Screw x2

2501114

Pop in the Stabilizer Guide.
After assembly ensure that both suspension arms move freely.



104004

104004

115008

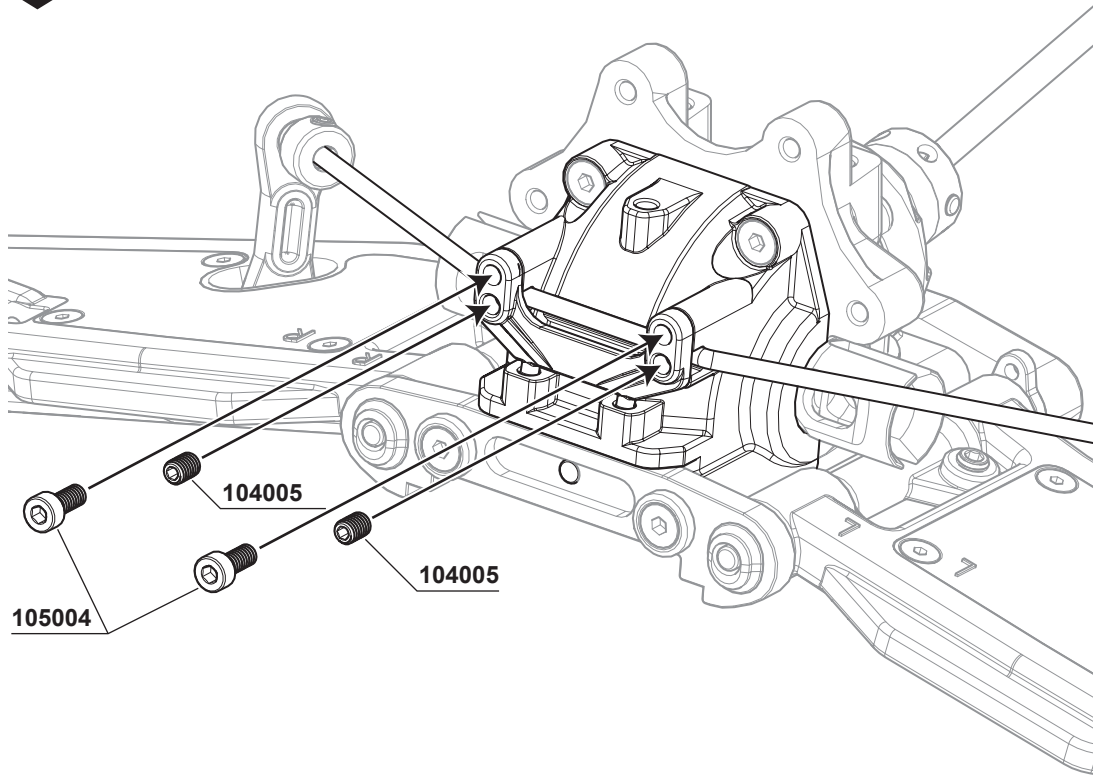
10



104005
M3x4mm Set Screw x2



105004
M2.6x6mm Cap Screw x2



104005
104005
105004
104005

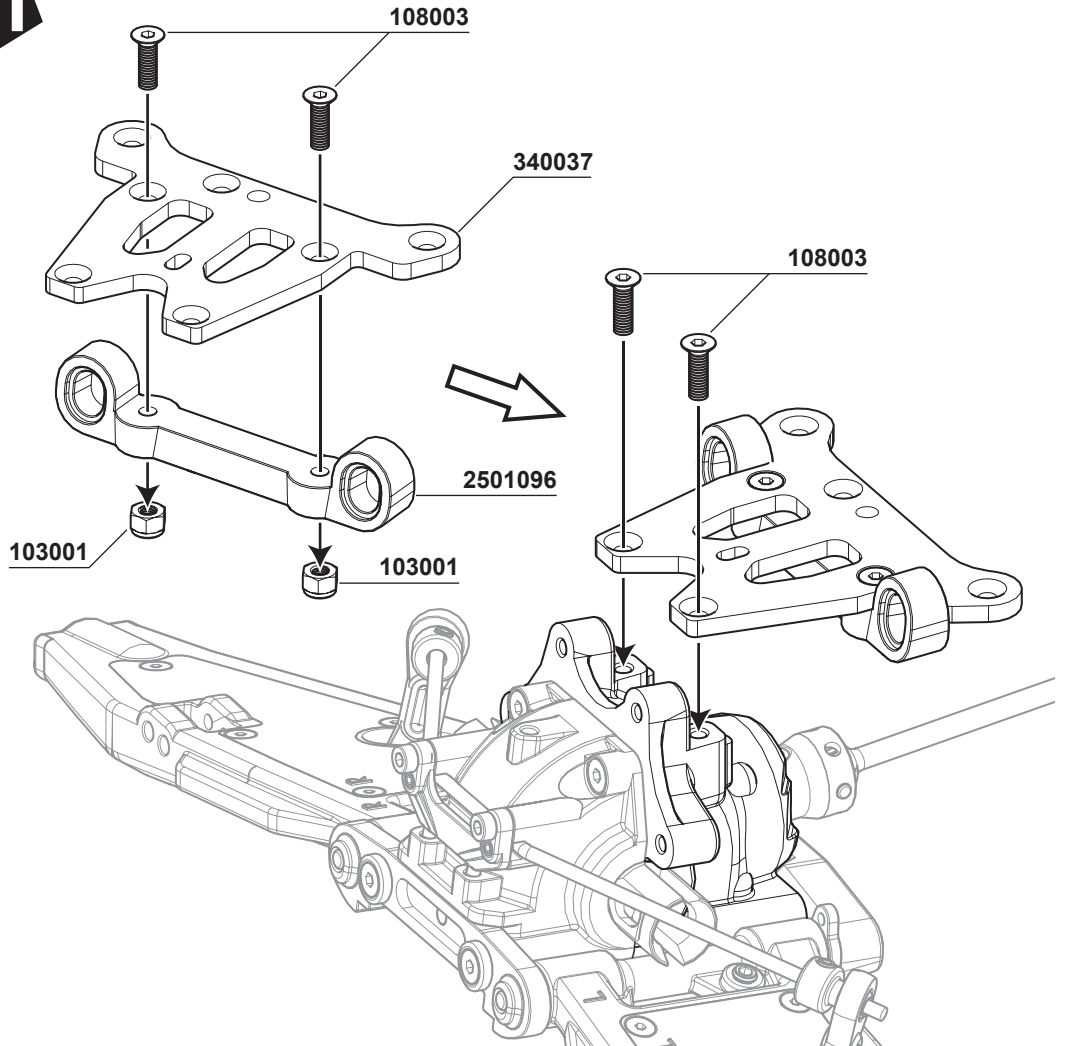
11



103001
M3 Nut Lock x2



108003
M3x10mm FH/ST HEX Screw x4



108003
340037
108003
2501096
103001
103001



108001
M3x12mm FH/ST HEX Screw x4

2501099

2501100

330119

2502039B

2501099

2502040-02

2501099

330119

2501100

106002

106002

2501099

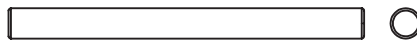
108001

330815A

2502039B

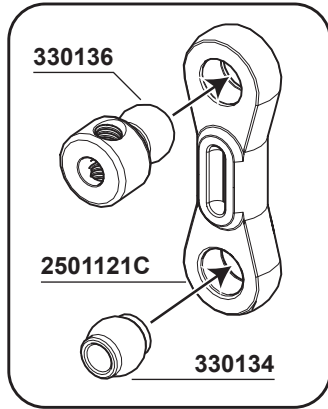


106002
M3x10 mm Hex Socket OH/TP Screw x2



330119
Front Upper Arm HingPin x2

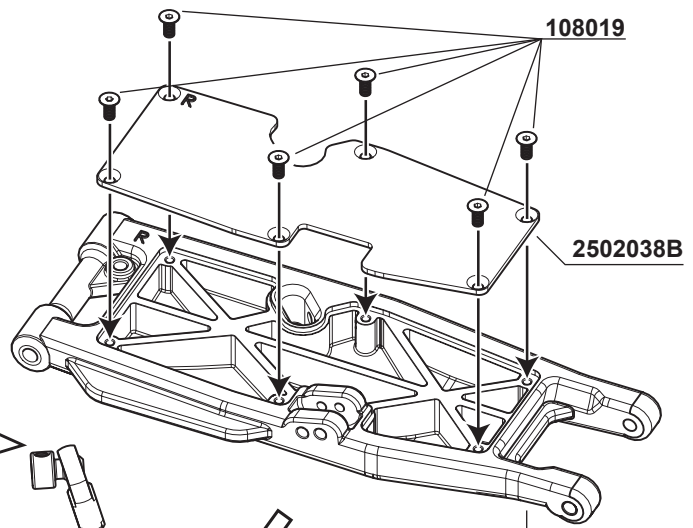
13 ← R → [x2]



330136

2501121C

330134



108019

2502038B

2502038B



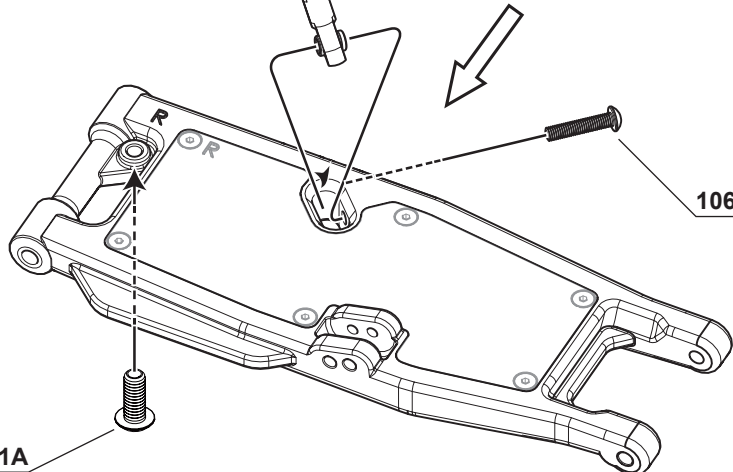
106021A
M4x10mm Hex Socket OH/TP Screw x2



106005
M3x15mm Hex Socket OH/TP Screw x2



108019
M2.6x6mm FH/ST HEX Screw x12



106005

106021A

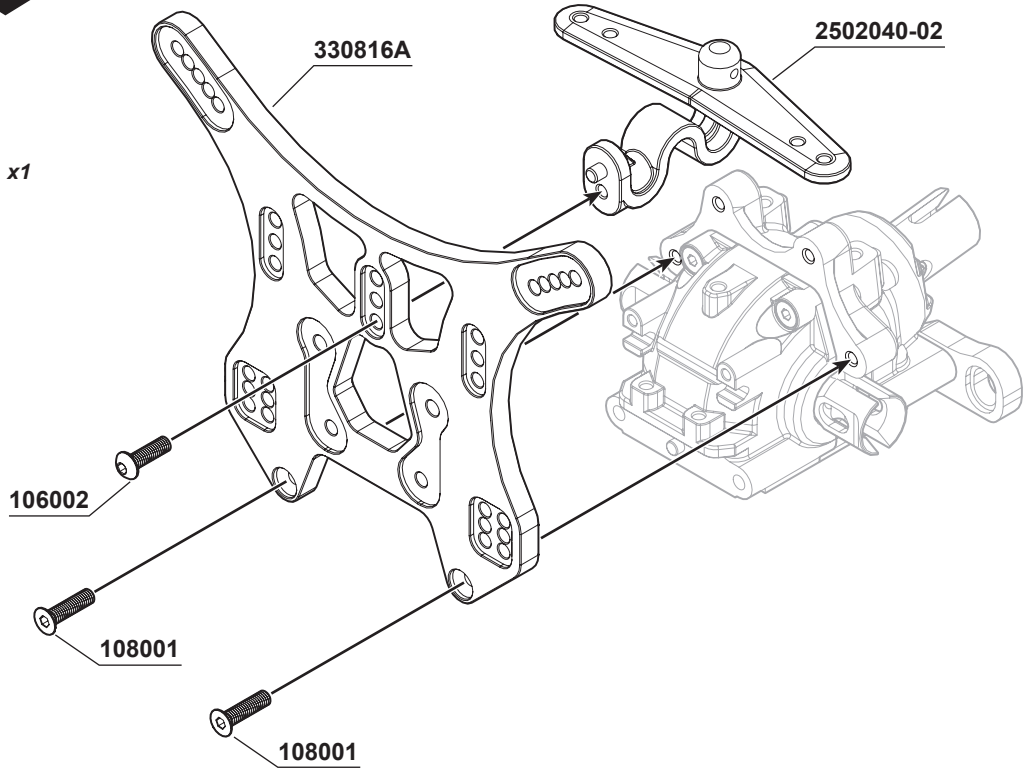
14



106002
M3x10mm Hex Socket OH/TP Screw x1



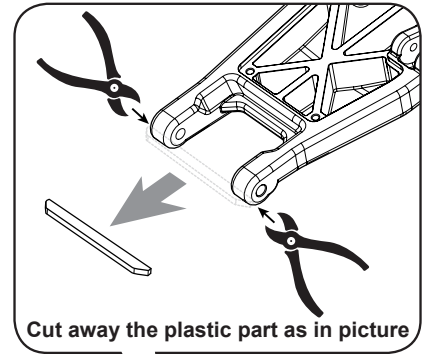
108001
M3x12mm FH/ST HEX Screw x2



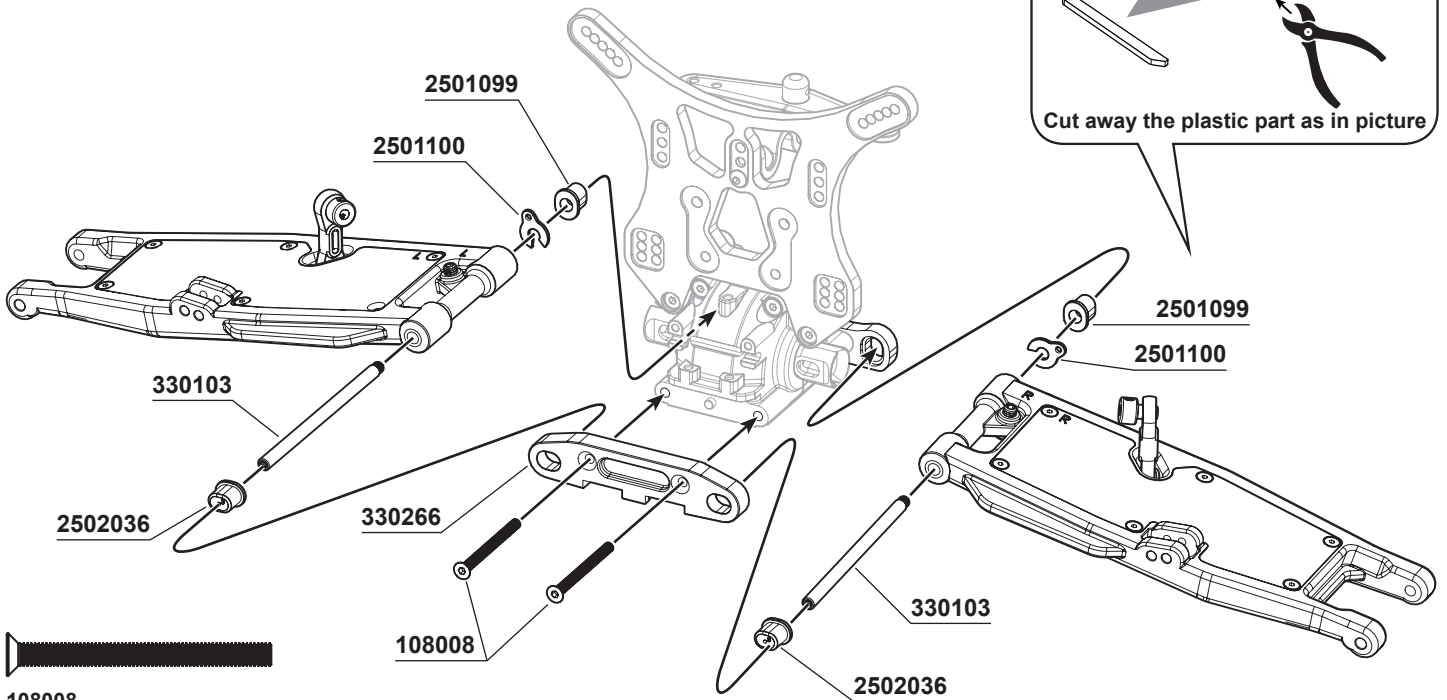
15

The rear lower arm holder insert can offer 1.0, 2.0 and 3.0 rear kick-up for your rear lower suspension.

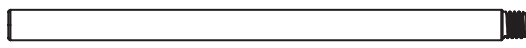
2501099 R/F Insert (1 degree)
2501099 R/F Insert (0 degree)



Cut away the plastic part as in picture



108008
M3x35mm FH/ST HEX Screw x2



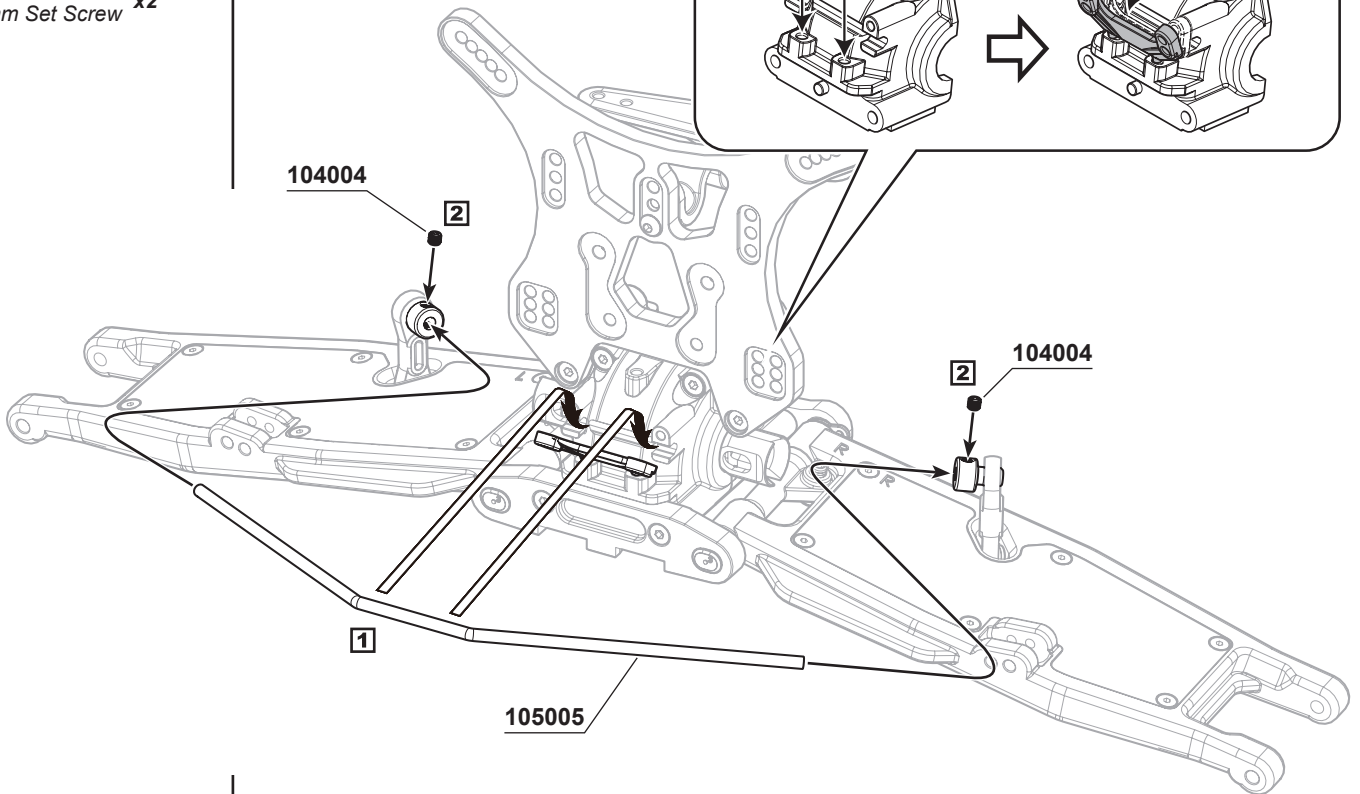
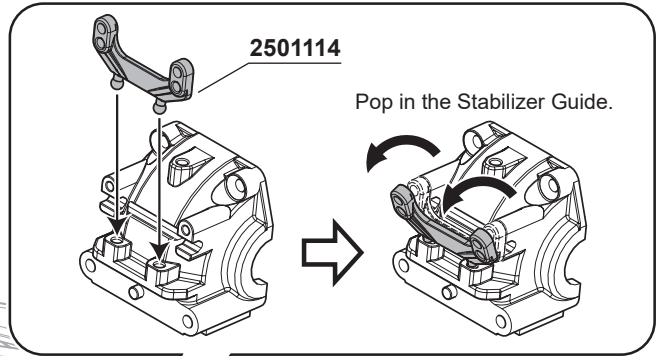
330103
Front/Rear Lower Arm HingPin x2

The new rear changeable plastic lower arm plate with 2 inserts can offer 2.0, 3.0 and 3.5 rear toe-in for your rear lower suspension.
2502036 Rear Changeable Lower Arm Plate Insert (2.0/3.5 Degree)
2502036 Rear Changeable Lower Arm Plate Insert (3.0 Degree)

16

1 2
3

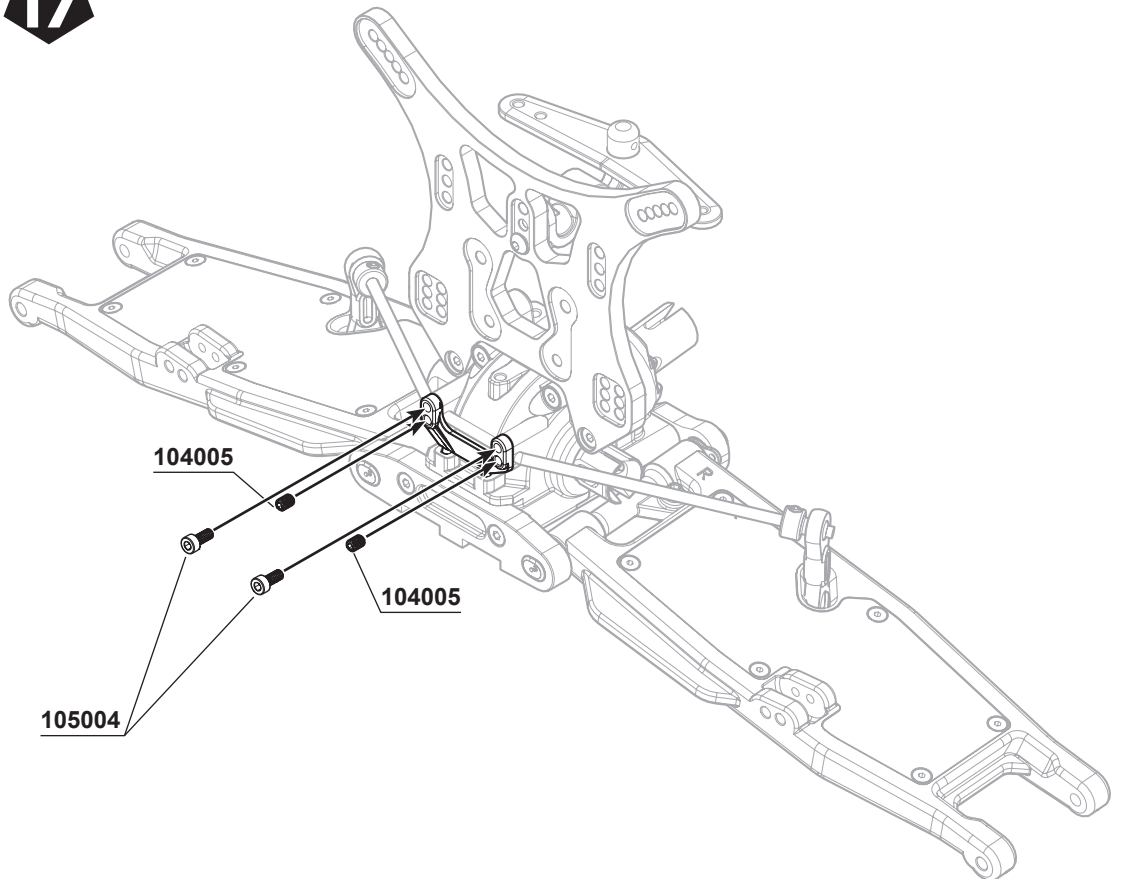
104004
M3x3mm Set Screw x2



17

104005
M3x4mm Set Screw x2

105004
M2.6x6mm Cap Screw x2





103001
M3 Nut Lock x2



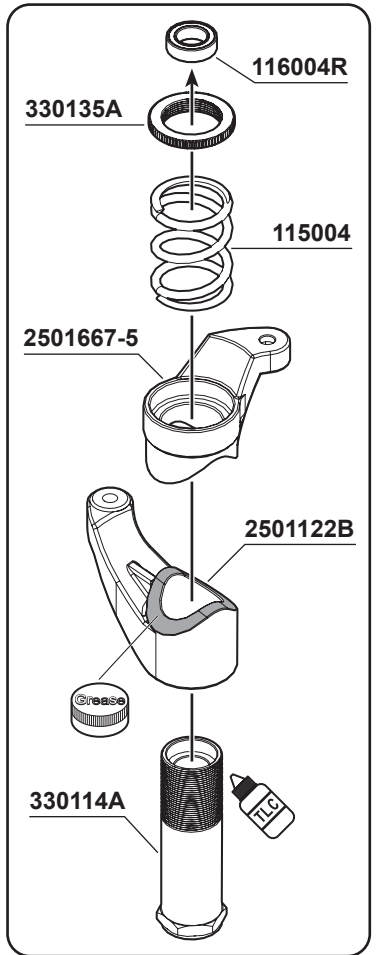
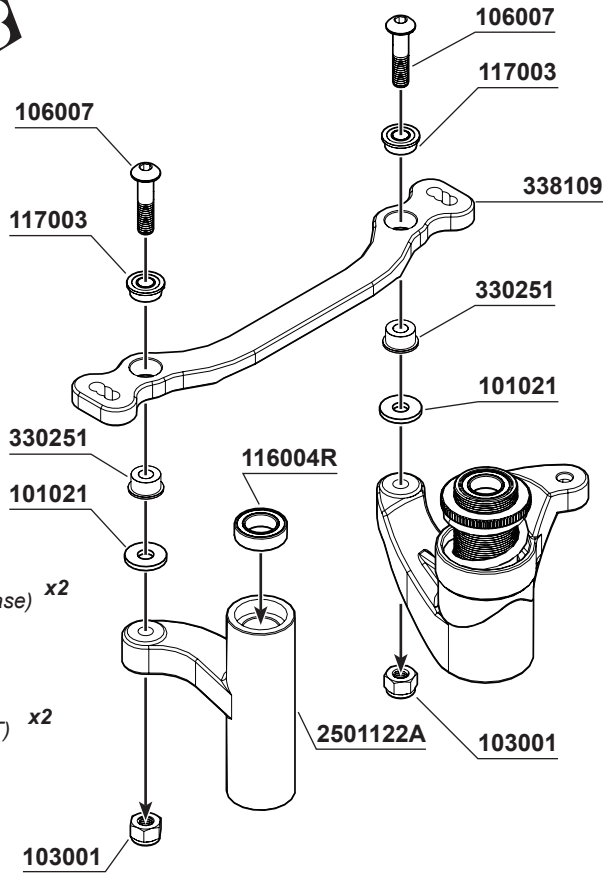
101021
M3x8xT1mm x2



116004R
Ball Bearing 6x10x3mm (Red Rubber Case) x2



106007
M3x12mm Hex Socket OH/TP Screw(HT) x2



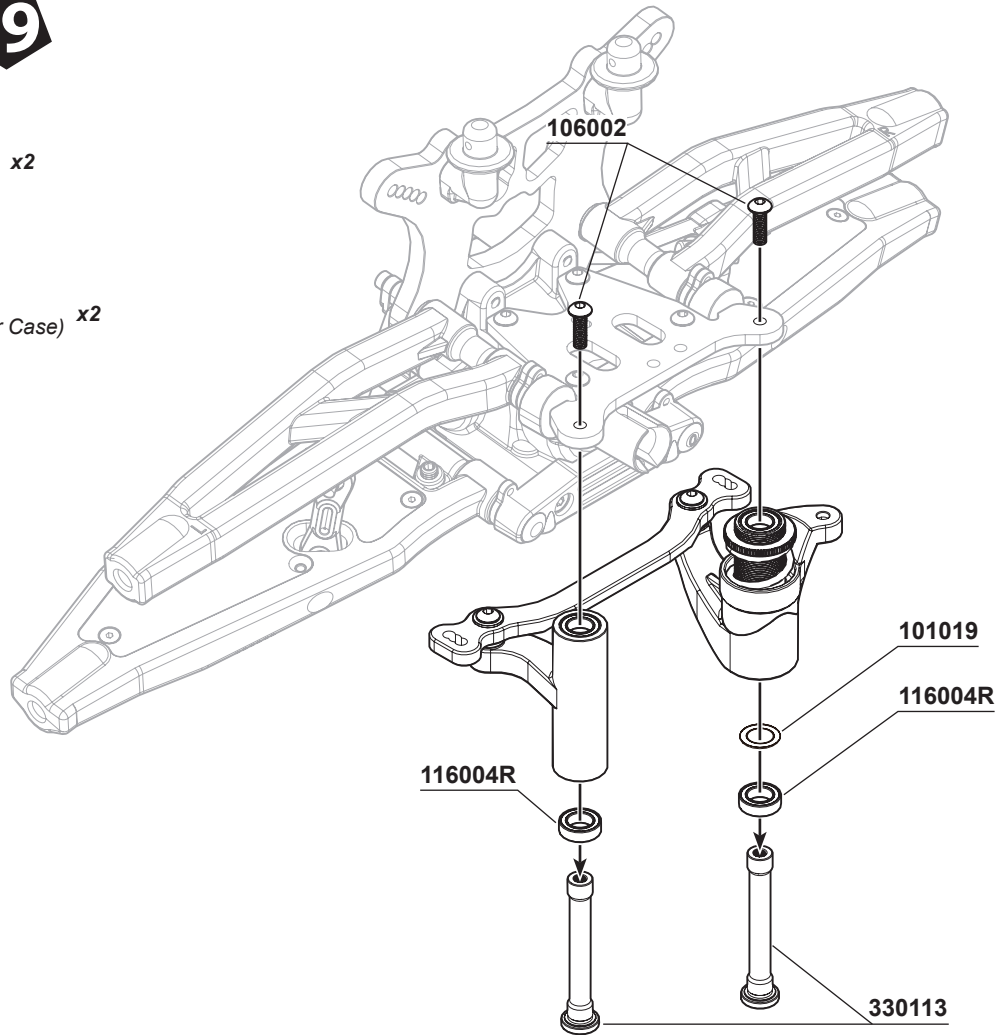
106002
M3x10mm Hex Socket OH/TP Screw x2



116004R
Ball Bearing 6x10x3mm (Red Rubber Case) x2

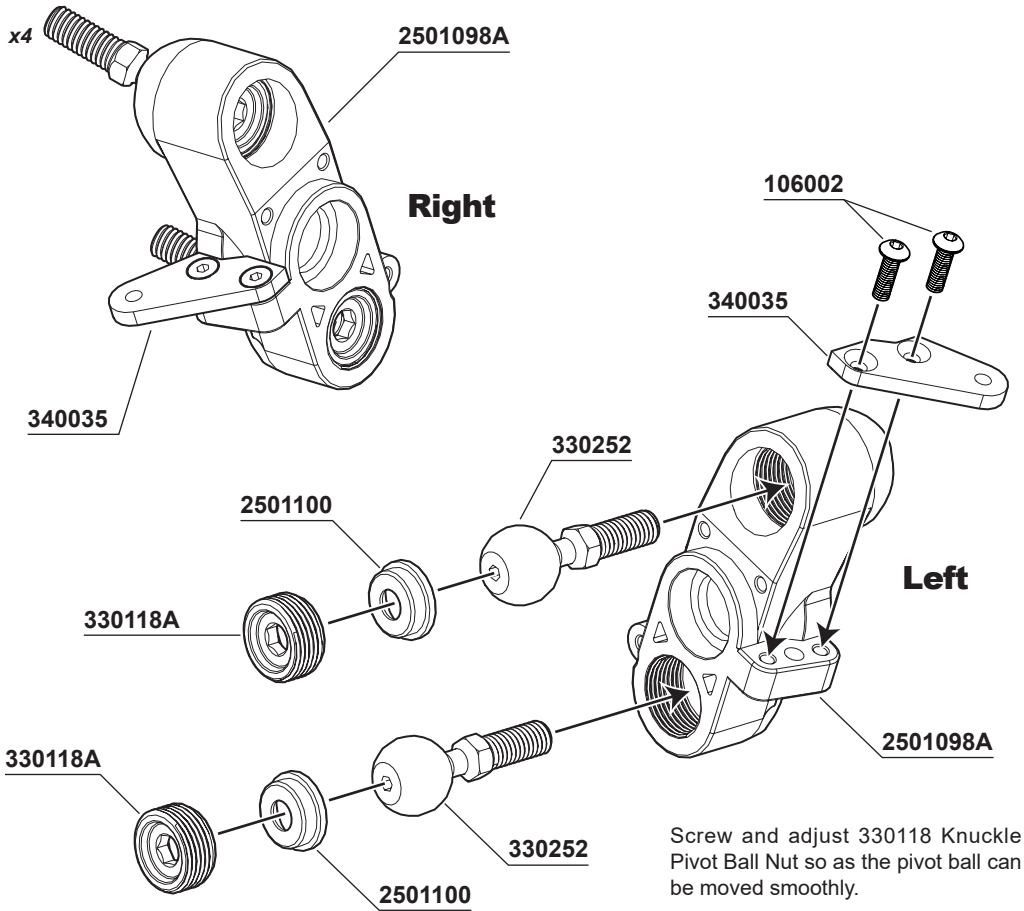


101019
SHIM 6.0x10.0x0.2mm x1

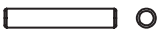




106002
M3x10mm Hex Socket OH/TP Screw x4



104010
M5x4mm Set Screw (Flat Bottom) x2



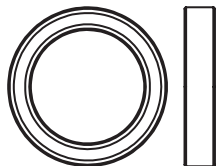
330111
Pin M2.5x14.8mm x2



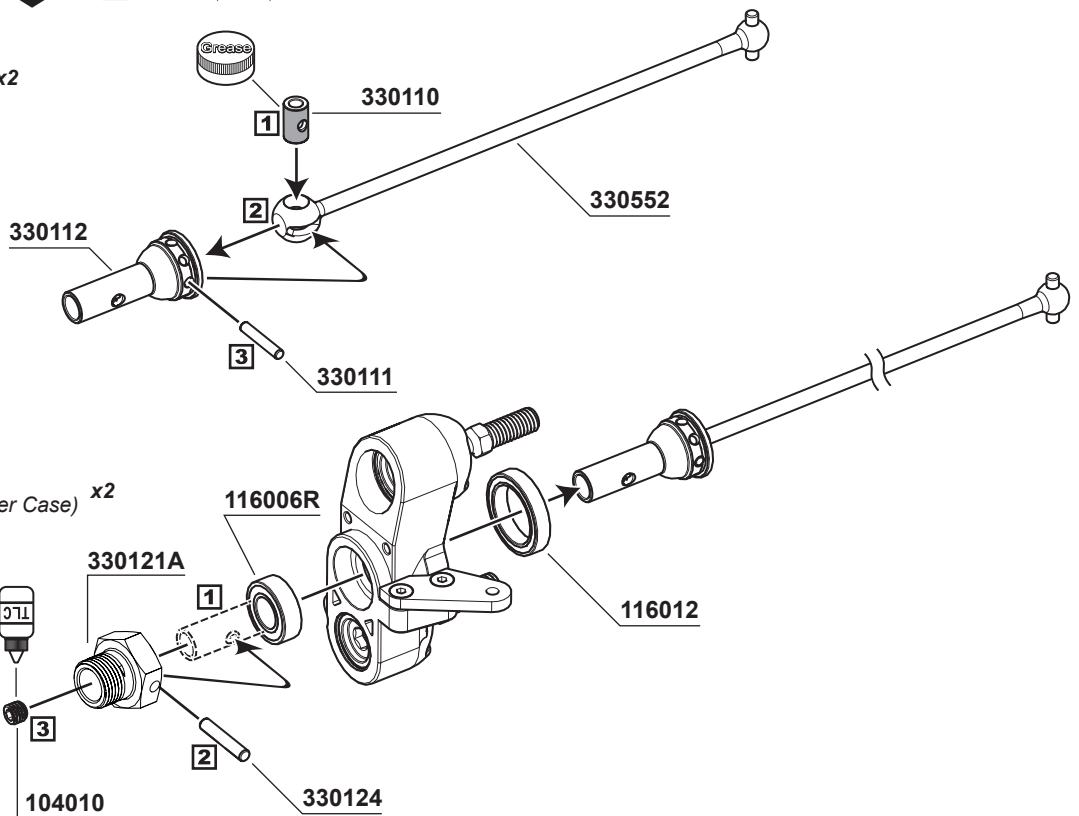
330124
Pin M3.0x16.8mm x2



116006R
Ball Bearing 8x16x5mm (Red Rubber Case) x2

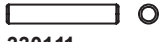


116012
Ball Bearing 15x21x4mm x2





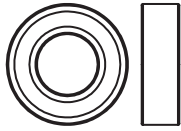
104010
M5x4mm Set Screw (Flat Bottom) x2



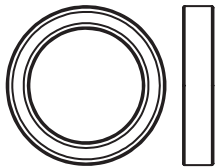
330111
Pin M2.5x14.8mm x2



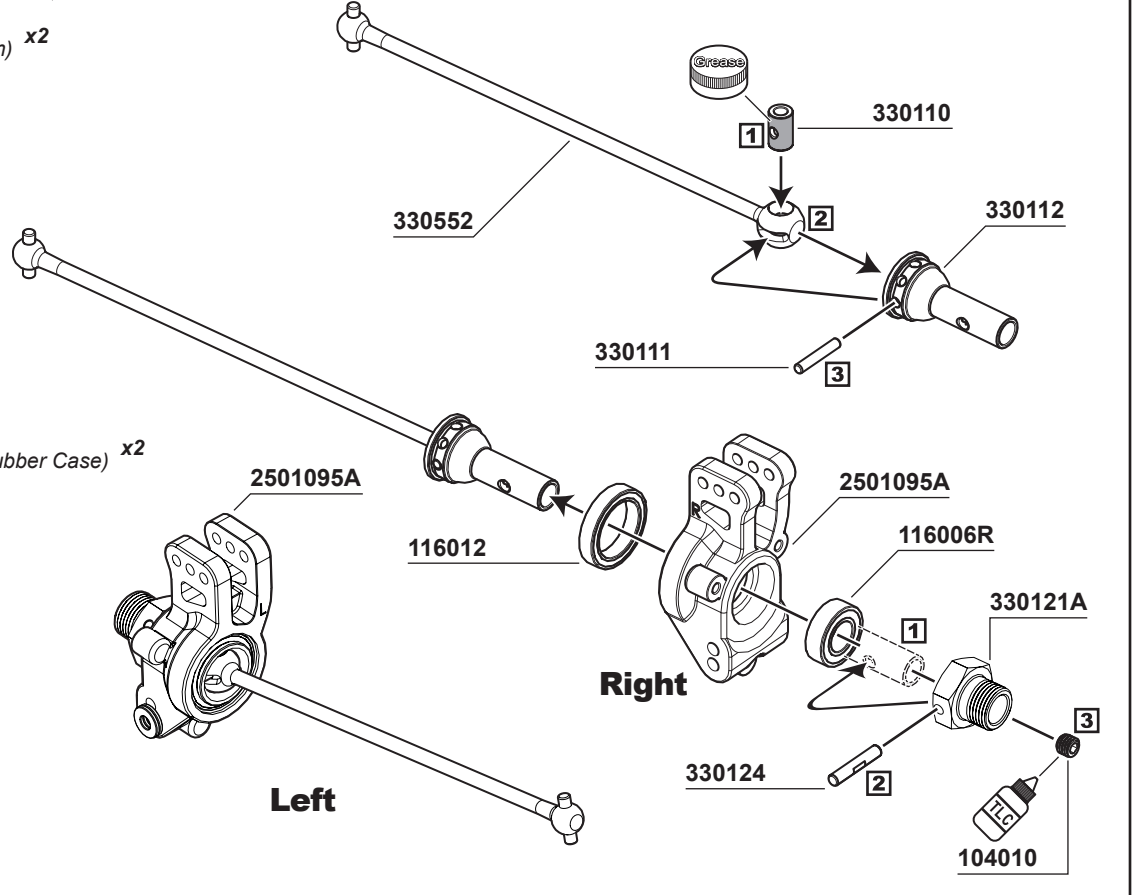
330124
Pin M3.0x16.8mm x2



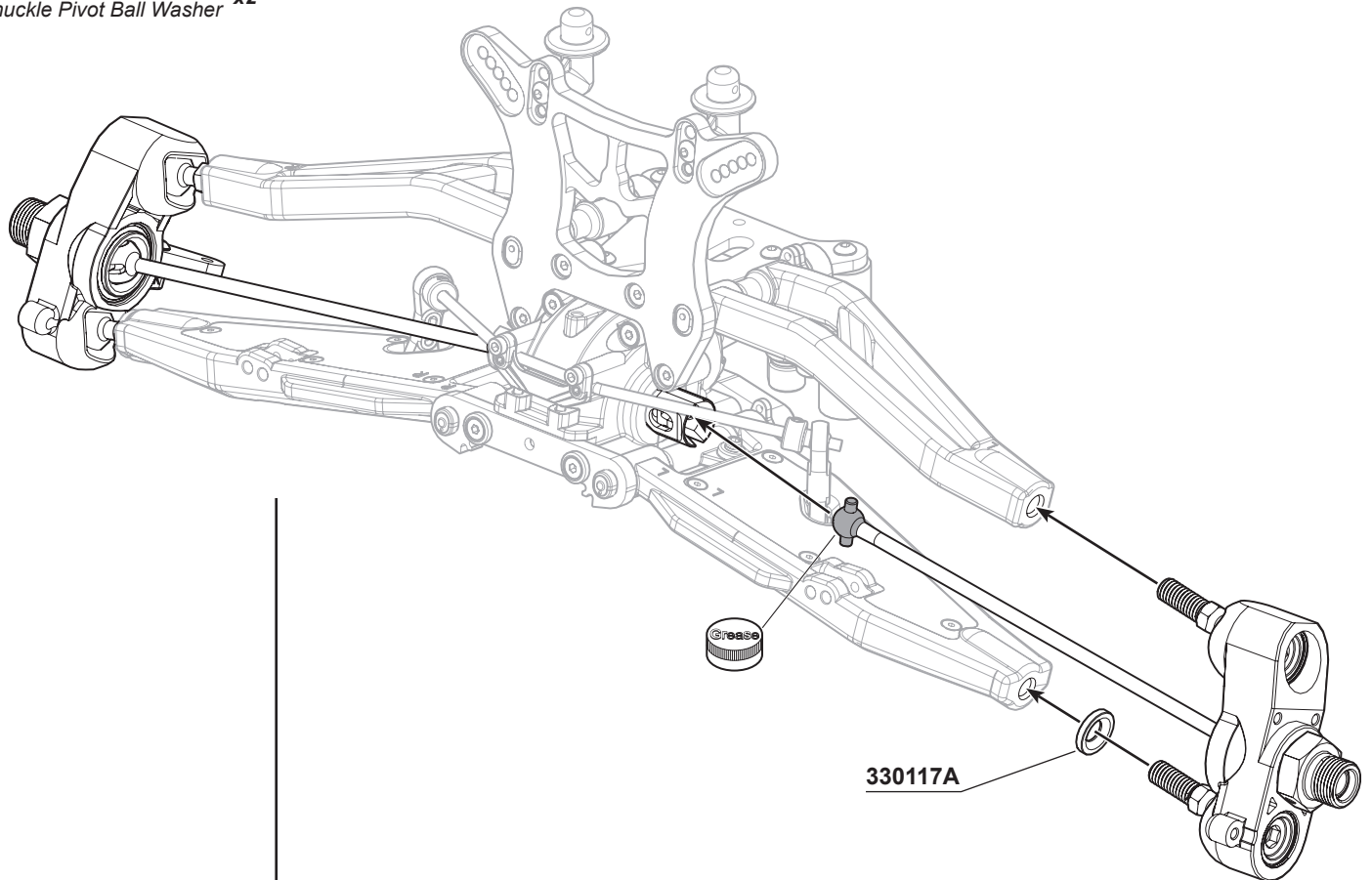
116006R
Ball Bearing 8x16x5mm (Red Rubber Case) x2



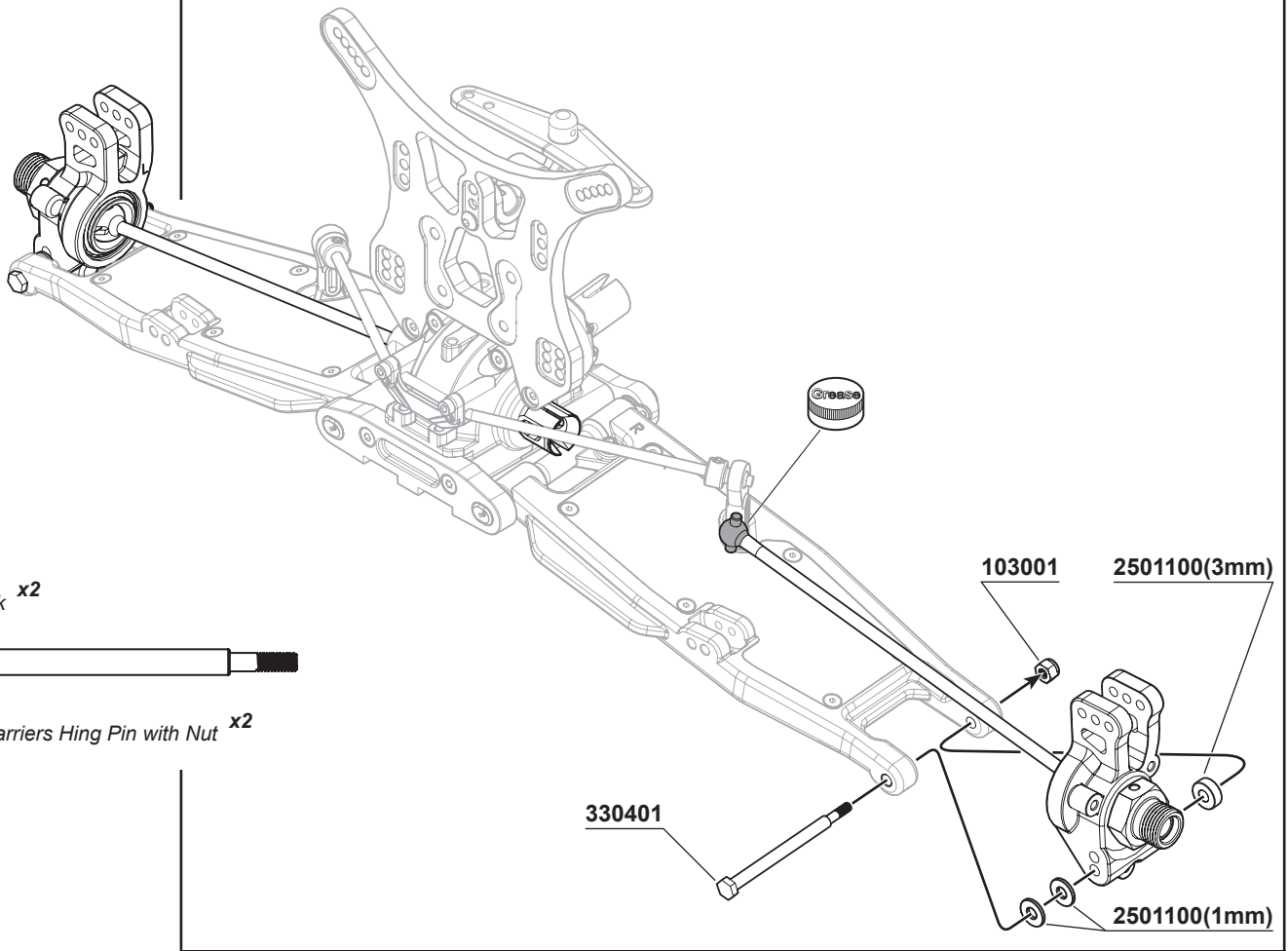
116012
Ball Bearing 15x21x4mm x2



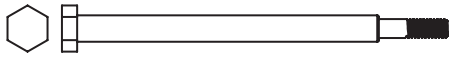
330117A
Knuckle Pivot Ball Washer x2



24 **L R** **x2**

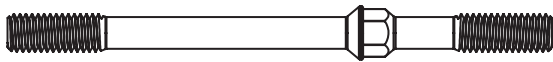
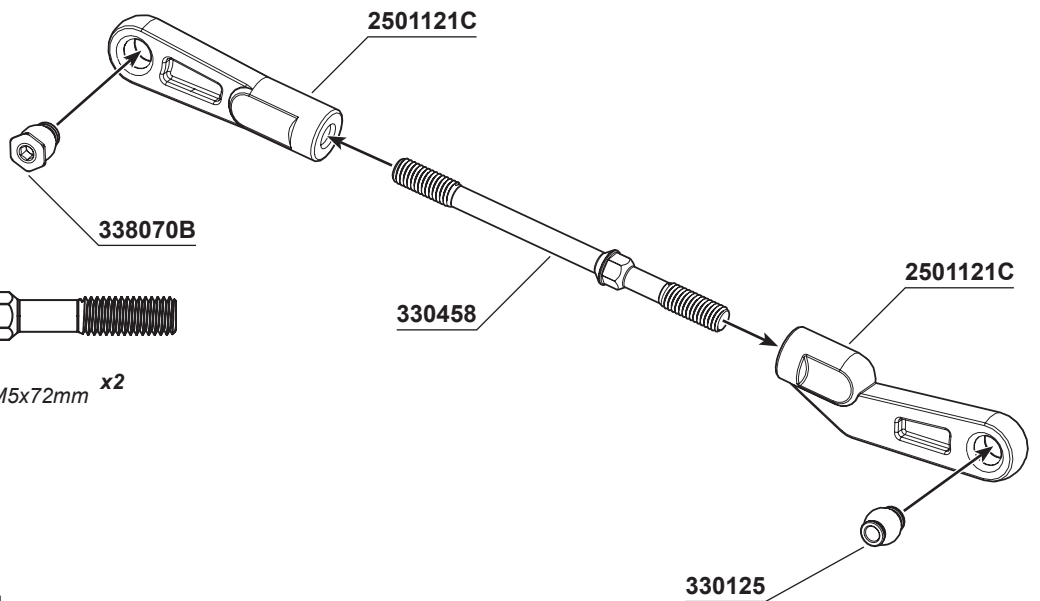


103001
M3 Nut Lock x2



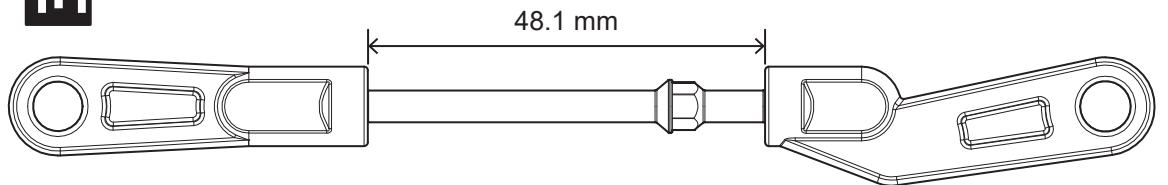
330401
Rear Hub Carriers Hing Pin with Nut x2

25 **L R** **x2**



330458
S350T Rear Upper Arm Turnbuckle M5x72mm x2

1:1



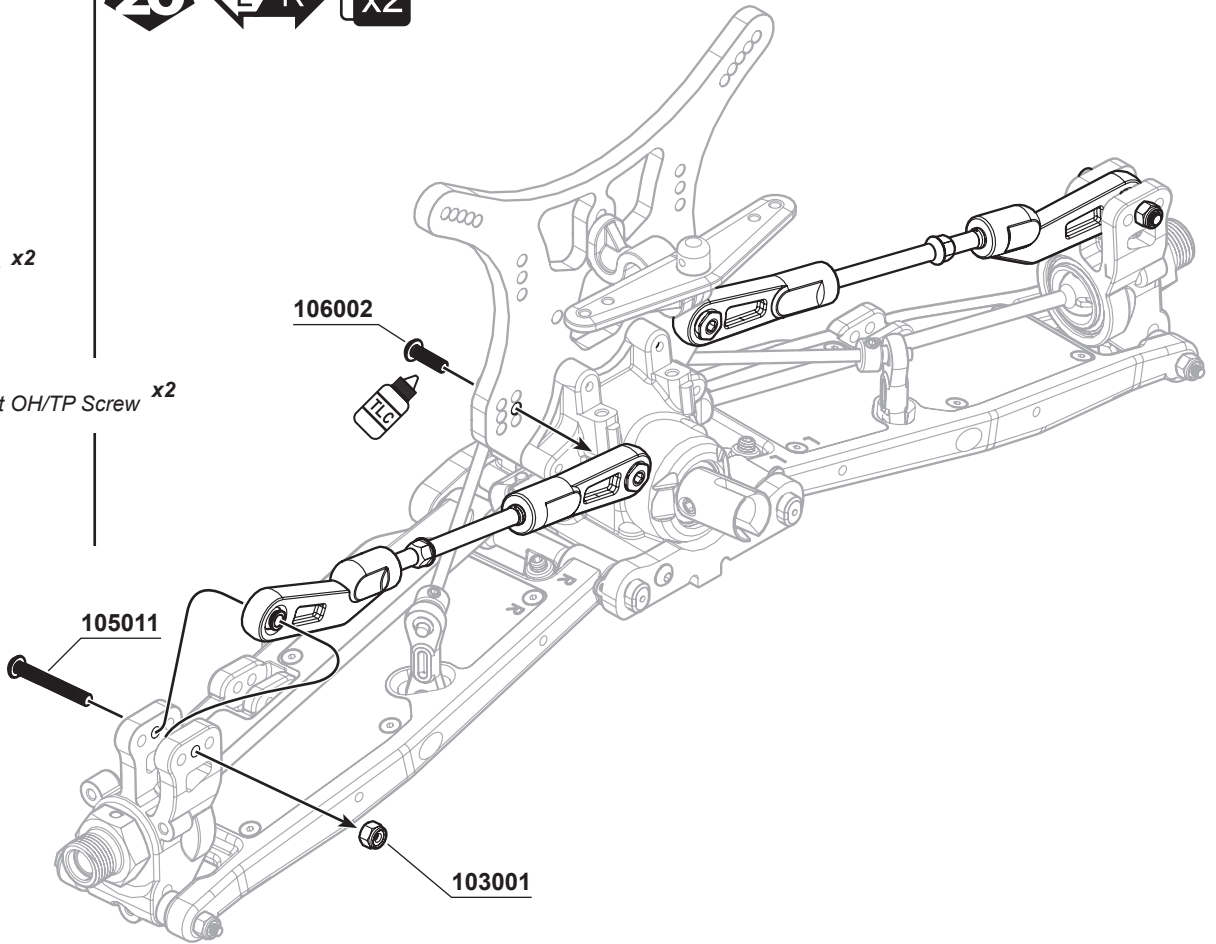
26  **x2**



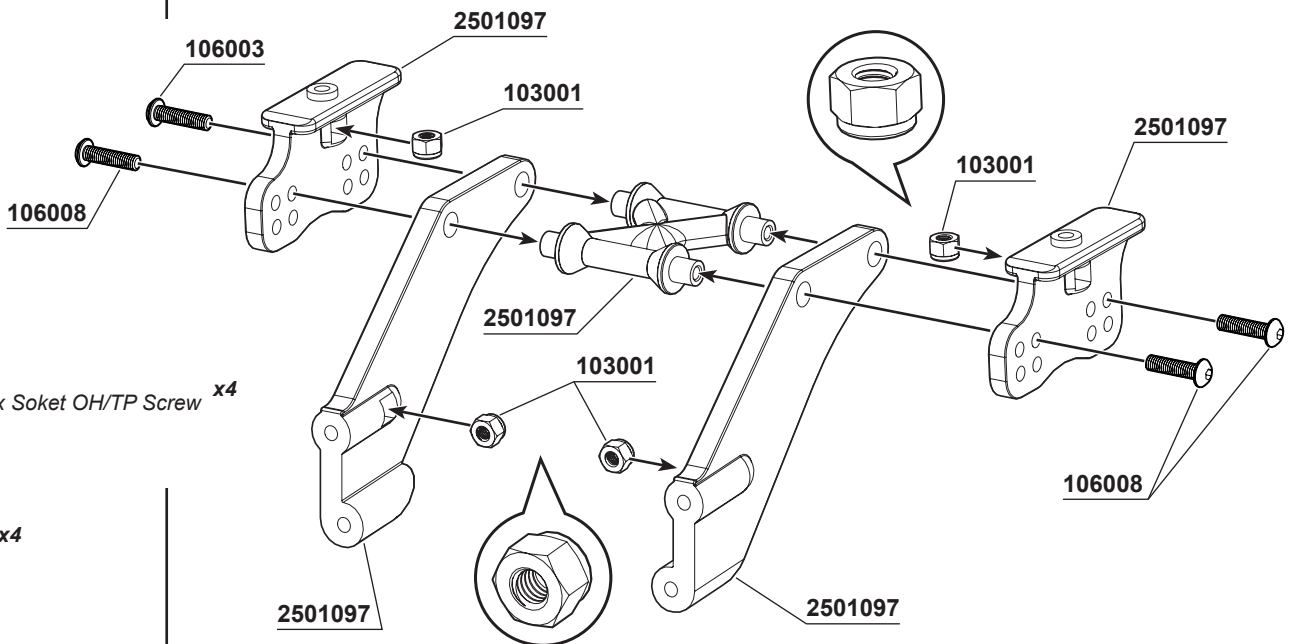
105011
M3x23mm Cap Screw **x2**



106002
M3x10mm Hex Socket OH/TP Screw **x2**



27



106008
M3x12mm Hex Soket OH/TP Screw **x4**



103001
M3 Nut Lock **x4**

28

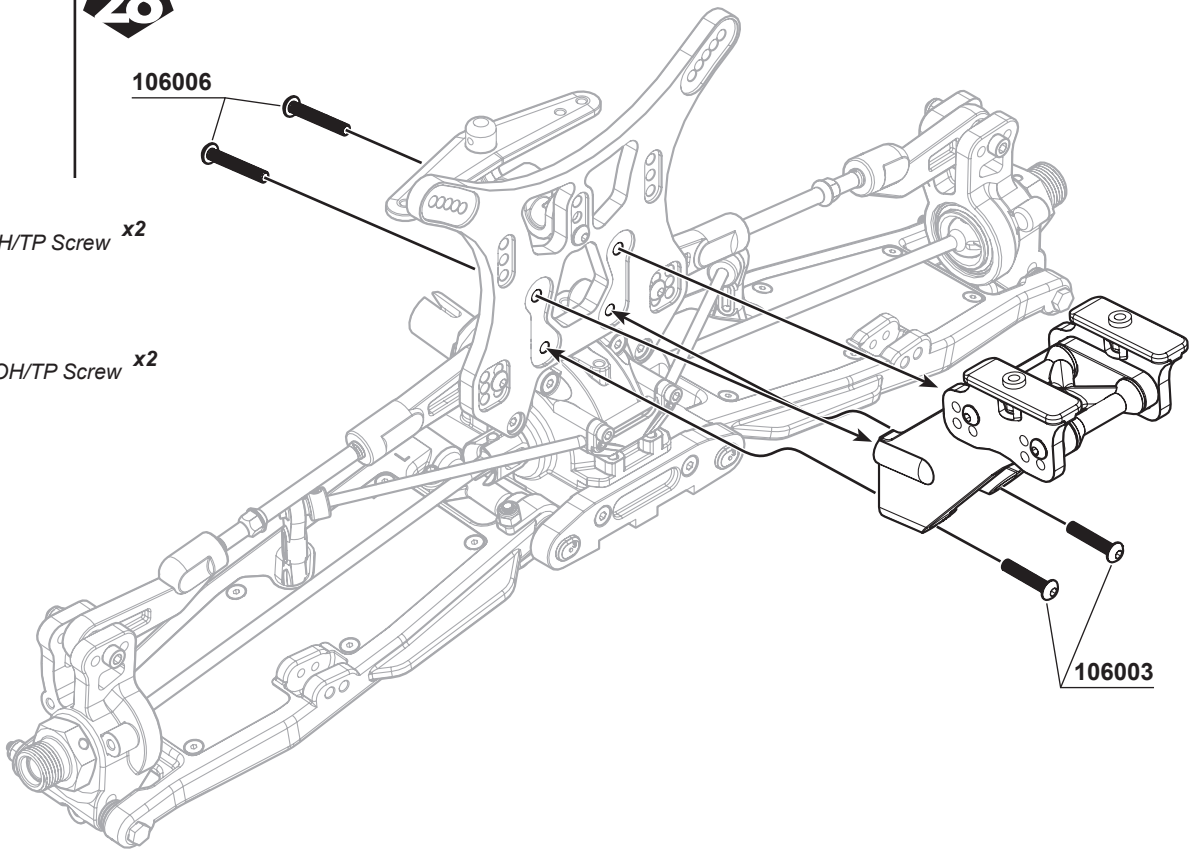
106006



106006
M3x20mm Hex Scket OH/TP Screw x2



106003
M3x16mm Hex Scket OH/TP Screw x2



106003

BAG

F

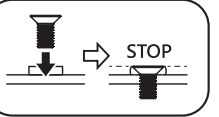
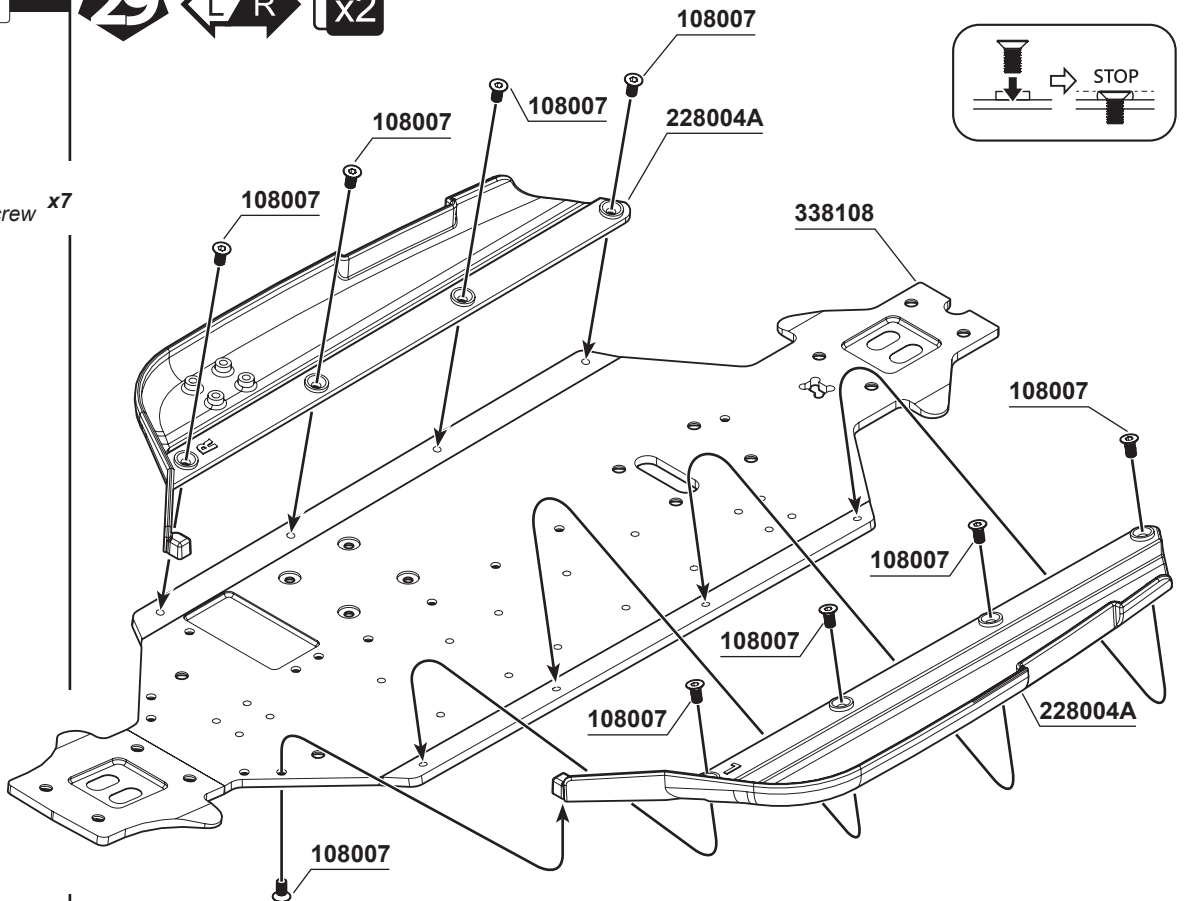
29



x2



108007
M3x6mm FH/ST HEX Screw x7



30



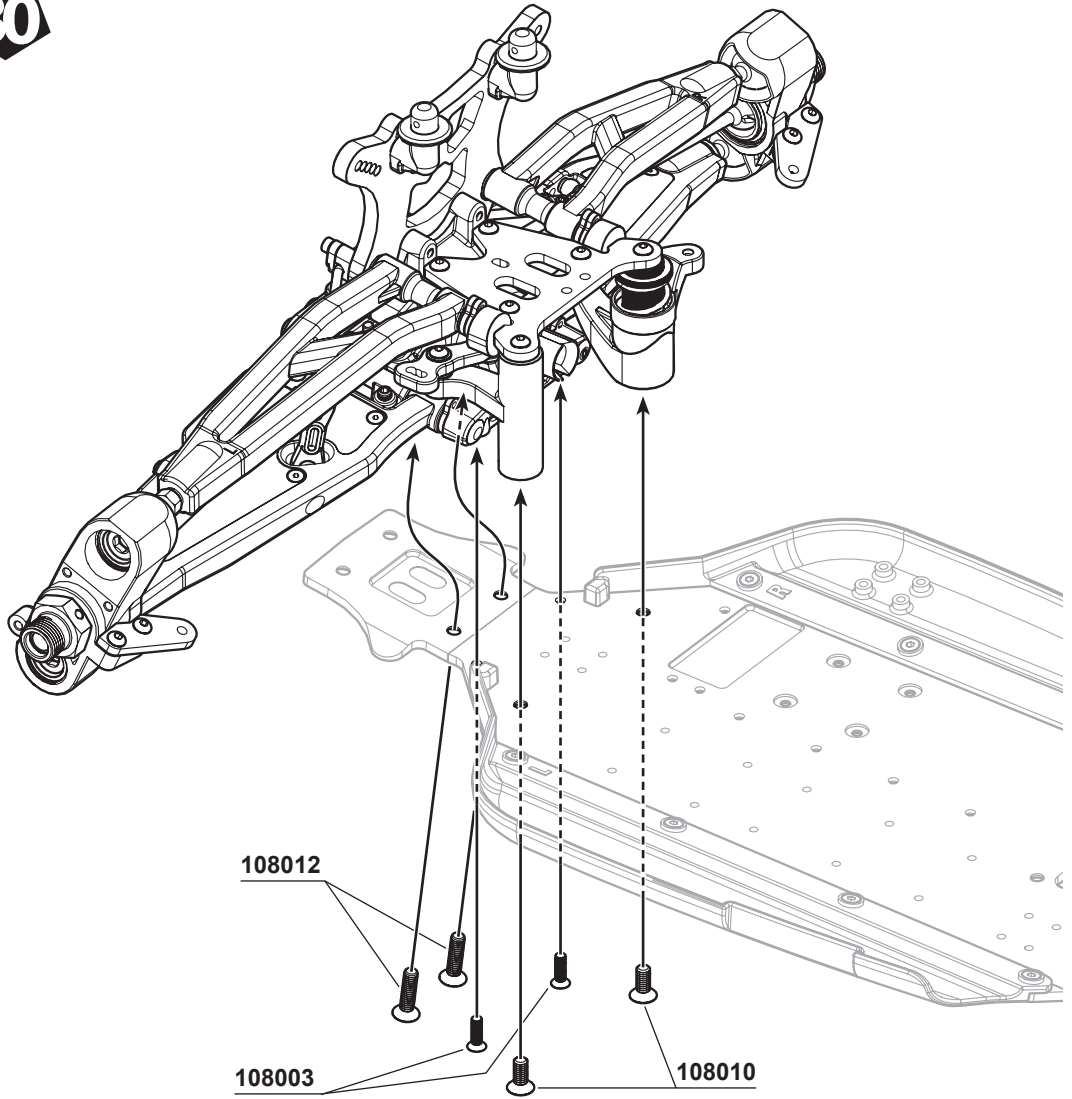
108003
M3x10mm FH/ST HEX Screw x2



108010
M4x10mm FH/ST HEX Screw x2



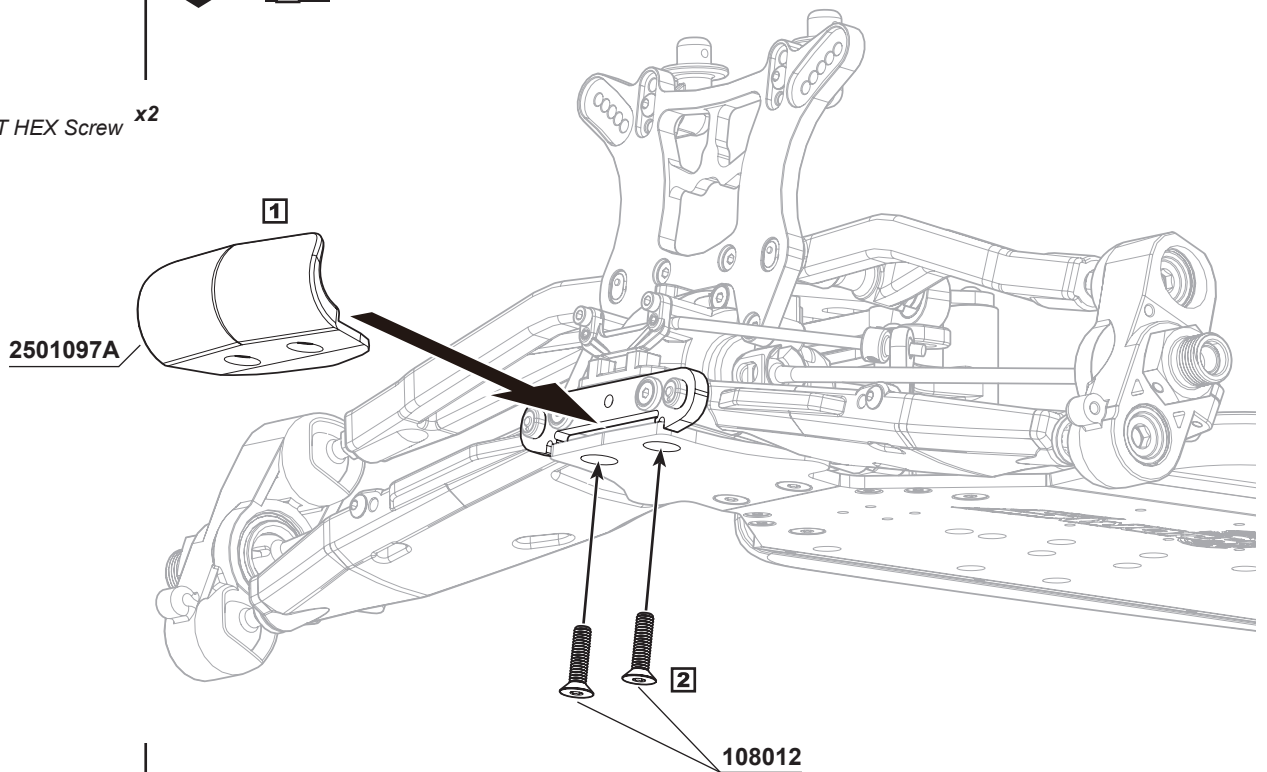
108012
M4x16mm FH/ST HEX Screw x2

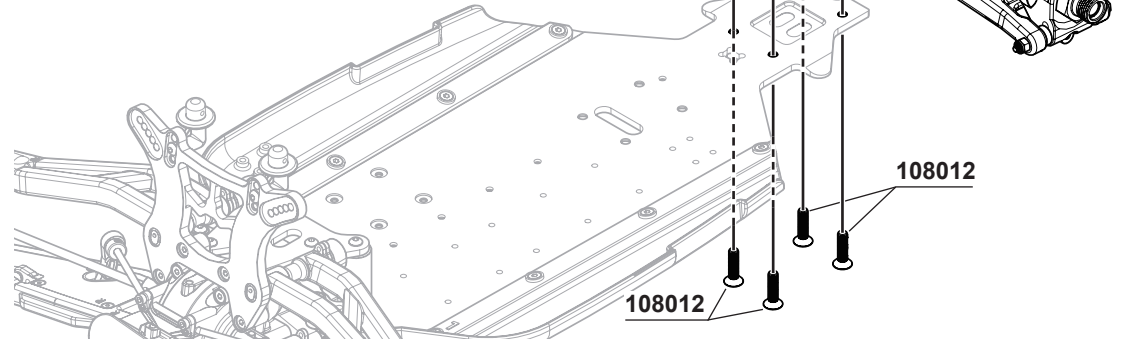
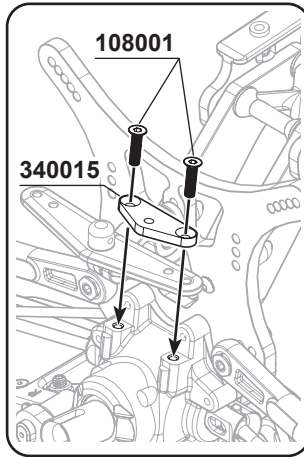
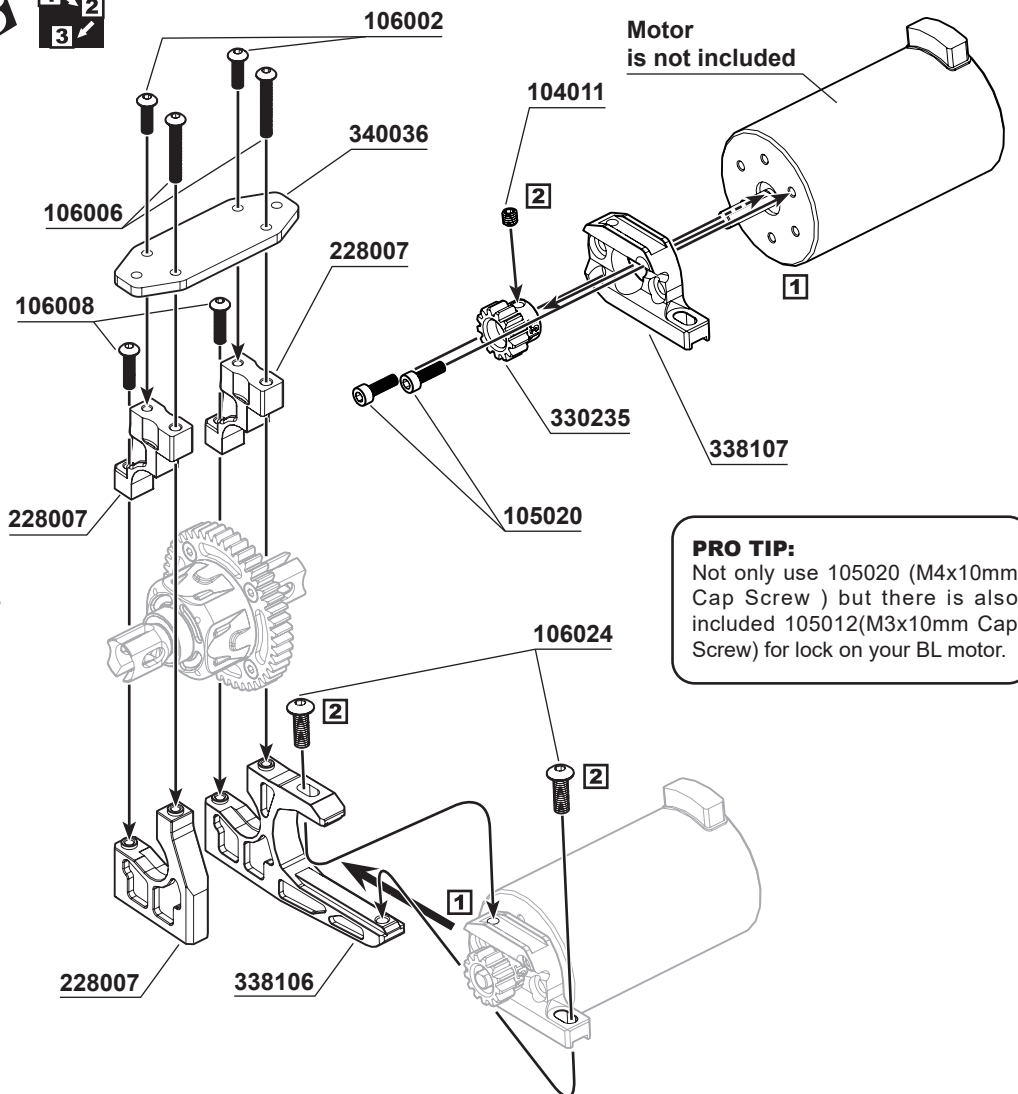


31



108012
M4x16mm FH/ST HEX Screw x2



32**108001**
M3x12mm FH/ST HEX Screw x2**108012**
M4x16mm FH/ST HEX Screw x4**BAG F****33****1 2 3****106002**
M3x10mm Hex Soket OH/TP Screw x2**106006**
M3x20mm Hex Soket OH/TP Screw x2**106008**
M3x12mm Hex Socket OH/TP Screw x2**106024**
M4x12mm Hex Socket OH/ST Screw x2**104011**
M4x4mm Set Screw (Flat Bottom) x1**105020**
M4x10mm Cap Screw x2

Motor is not included

PRO TIP:
Not only use 105020 (M4x10mm Cap Screw) but there is also included 105012(M3x10mm Cap Screw) for lock on your BL motor.

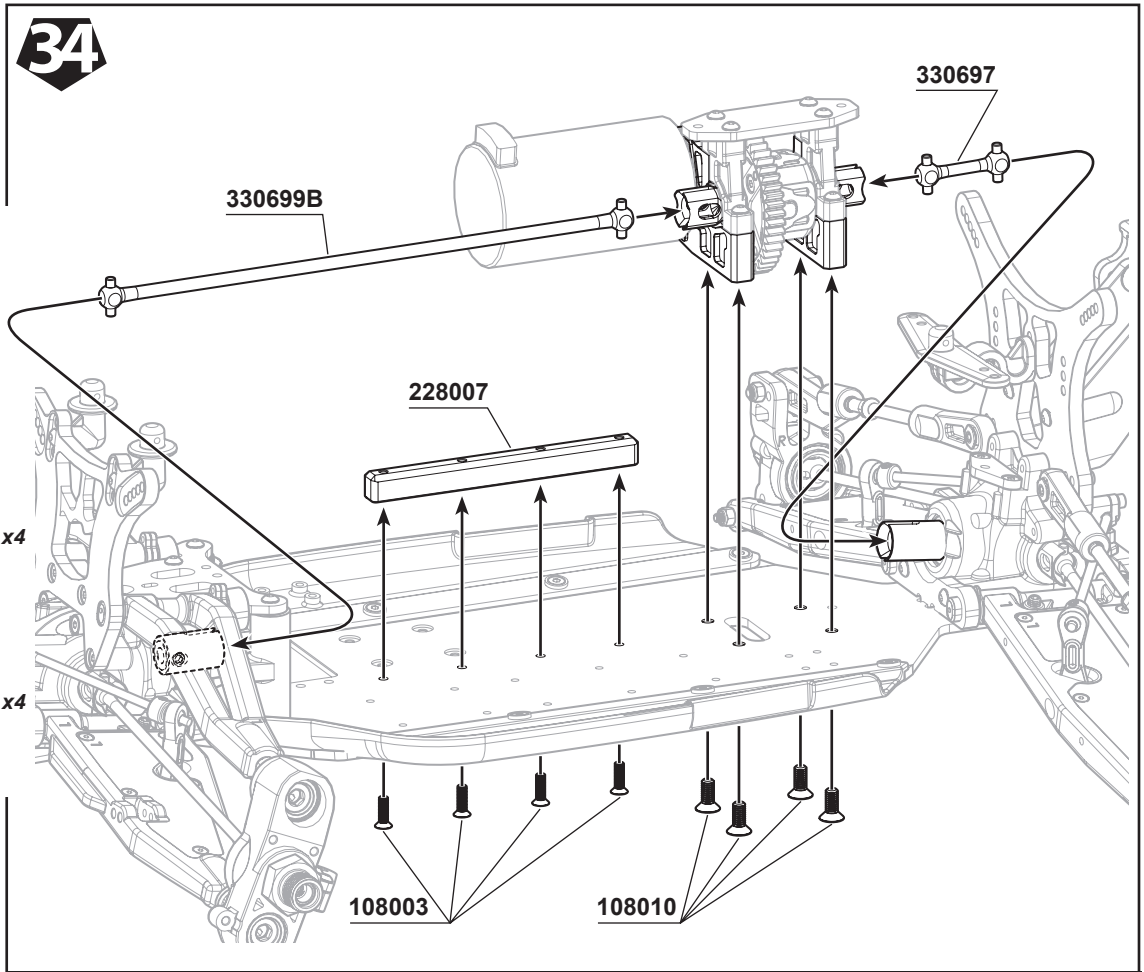
34



108003
M3x10mm FH/ST HEX Screw x4



108010
M4x10mm FH/ST HEX Screw x4



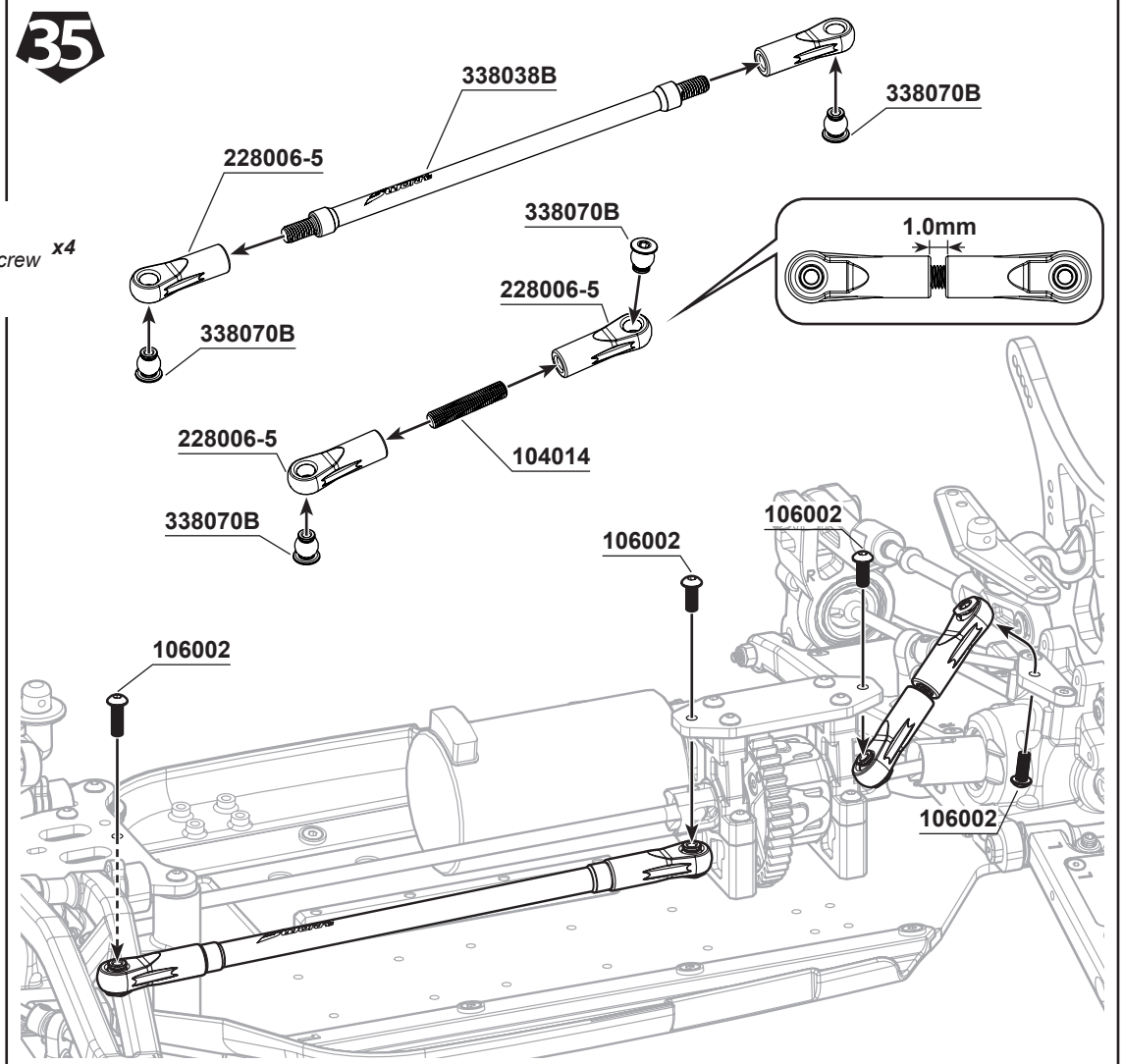
35



106002
M3x10mm Hex Scket OH/TP Screw x4



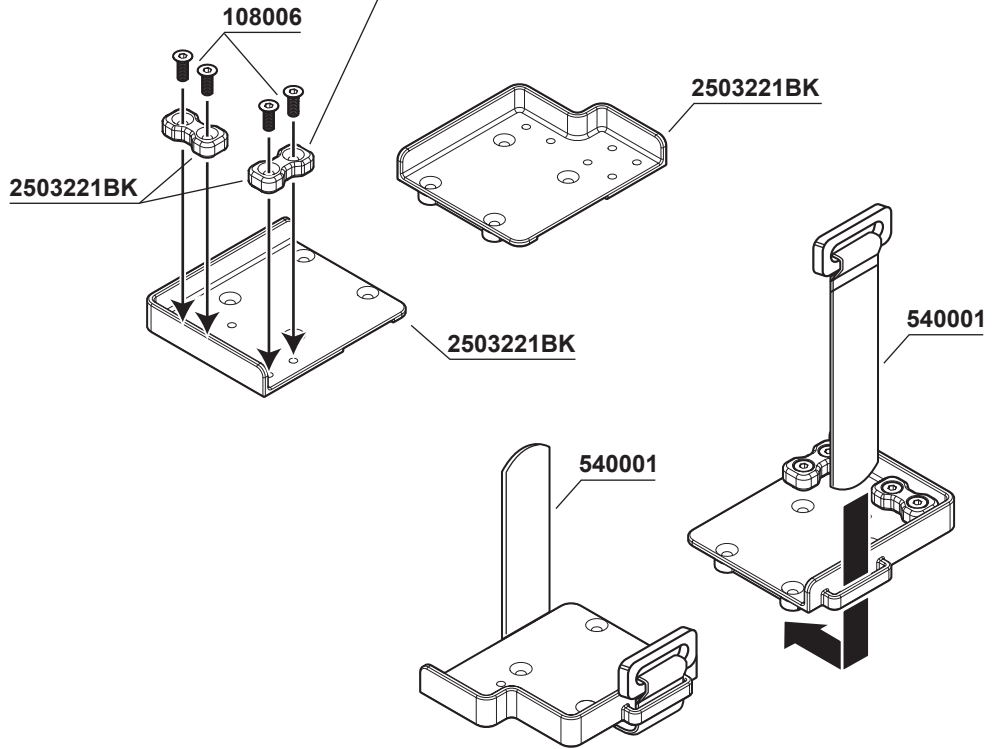
104014
M5x25mm set screw x1



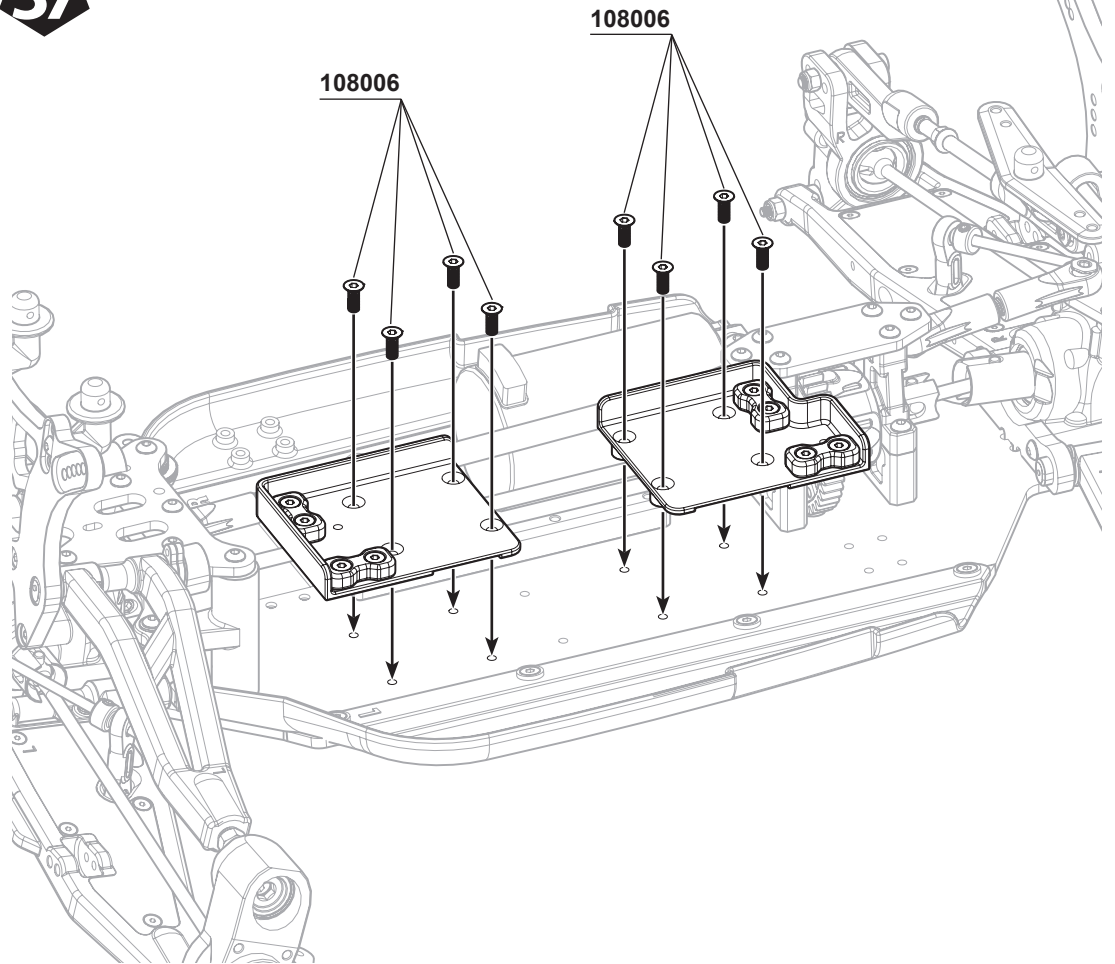


108006
M3x8mm FH/ST HEX Screw x8

The 2503221BK Battery Stoper must be suit for different Lipo Battery style.



108006
M3x8mm FH/ST HEX Screw x8



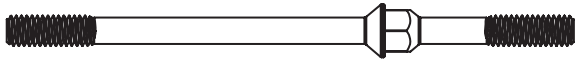
BAG

G

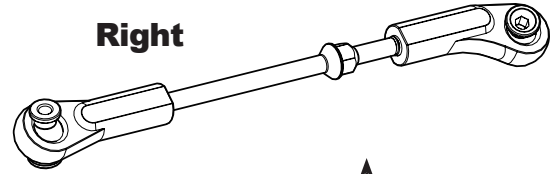
38



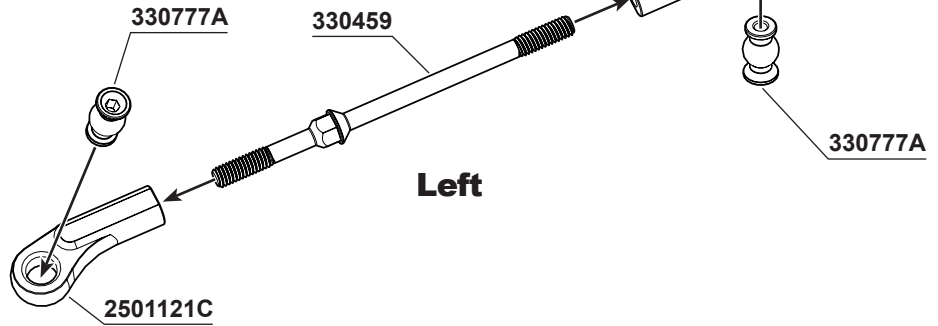
x2



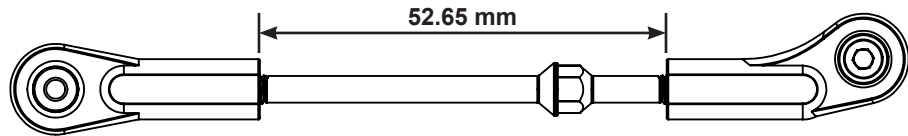
330459
S350T Steering Linkage Turnbuckle M4x75mm x2



Right



Left



1:1

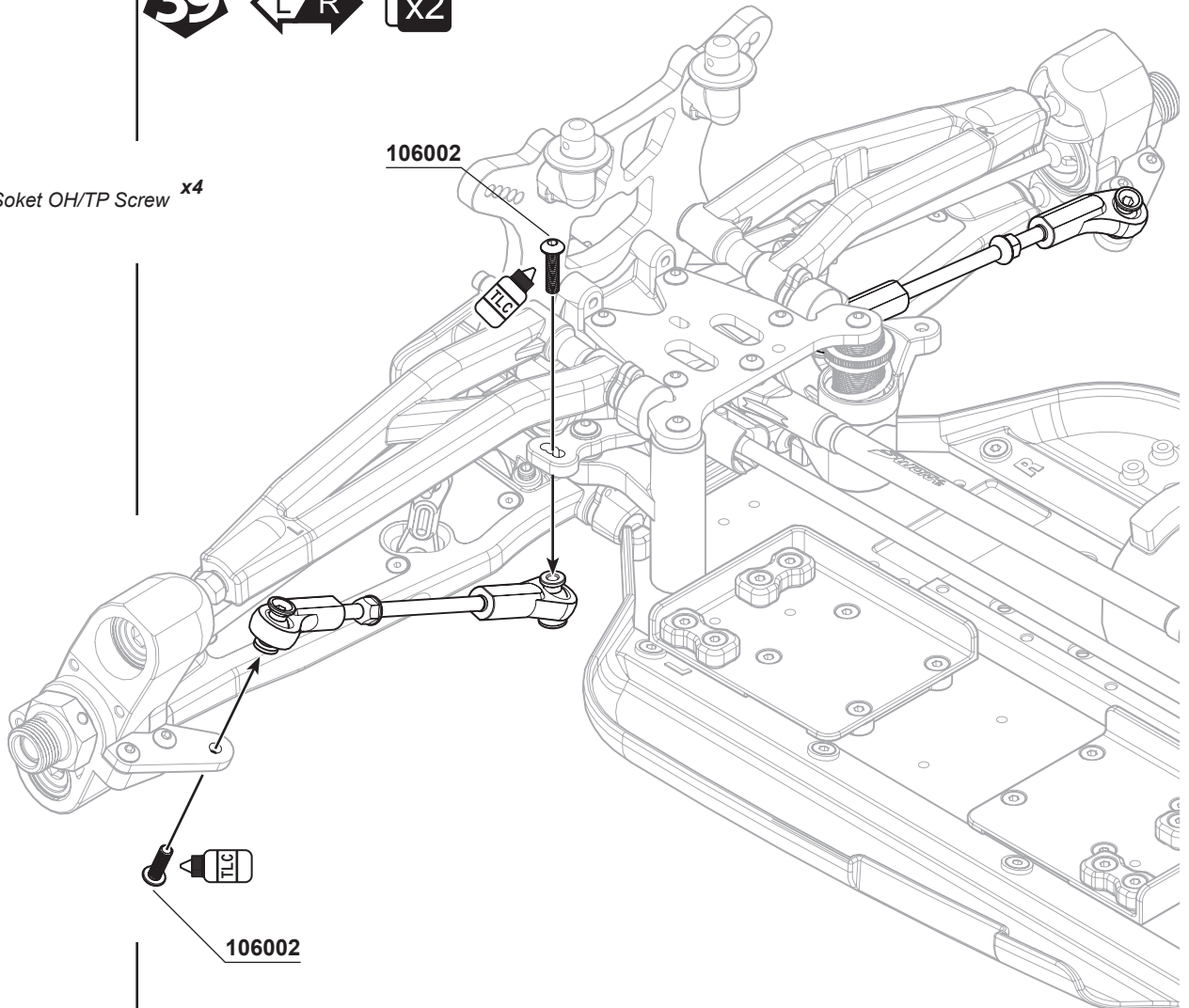
39



x2



106002
M3x10mm Hex Socket OH/TP Screw x4

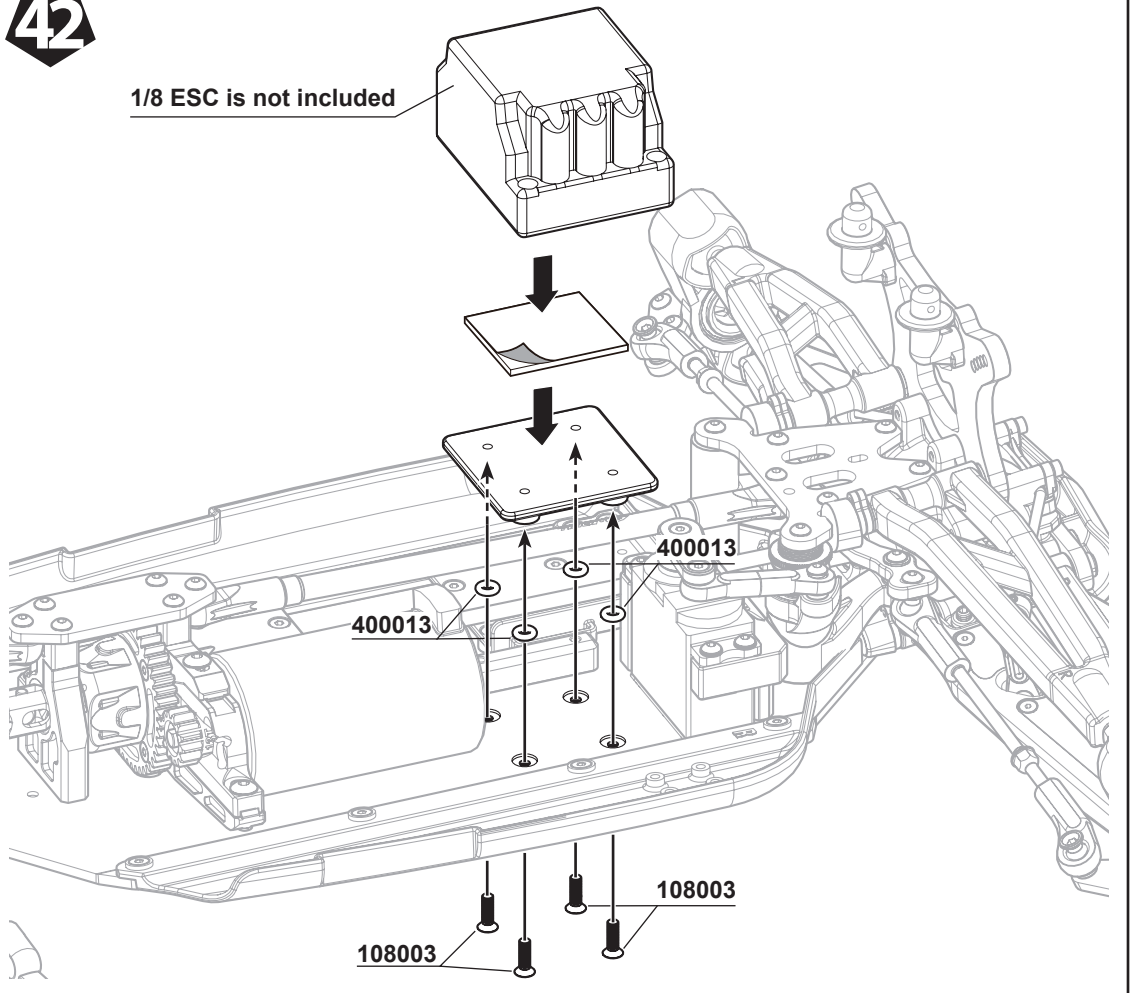




108003
M3x10mm FH/ST x4

42

1/8 ESC is not included



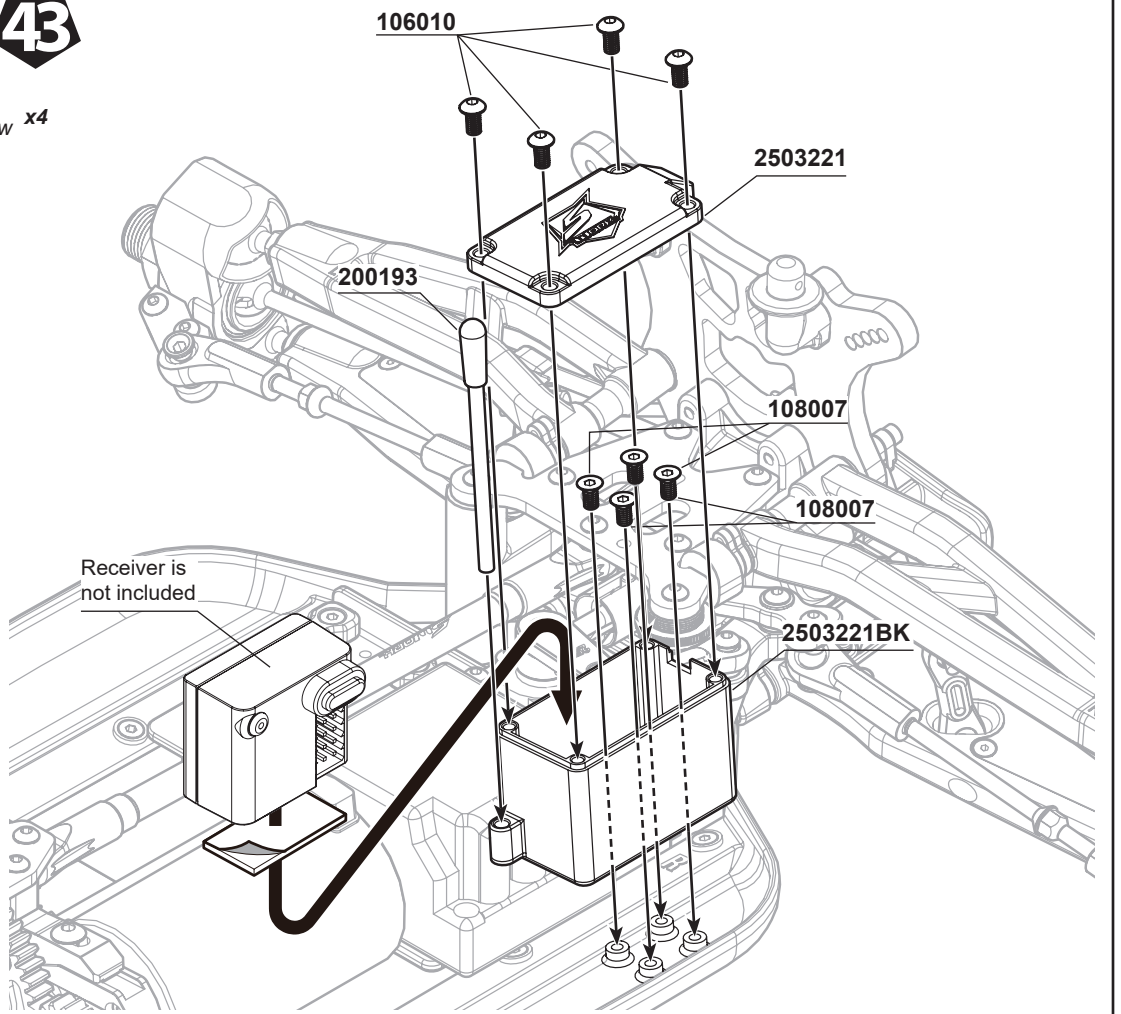
106010
M3x6mm Hex Socket OH/TP Screw x4

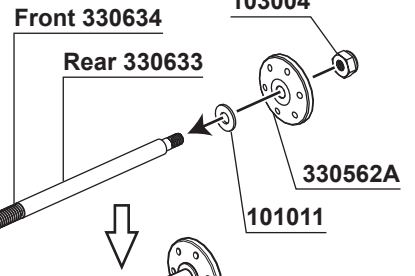
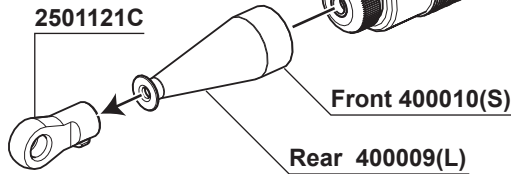
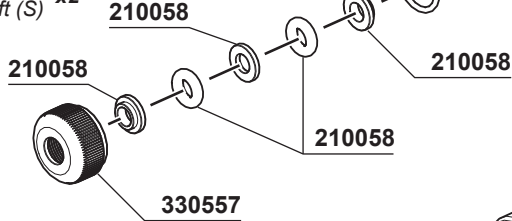
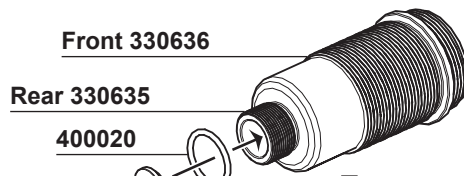
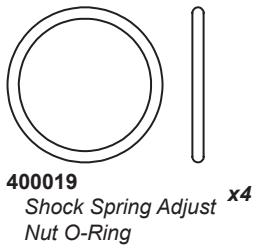
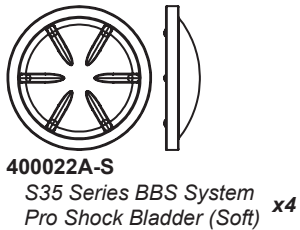
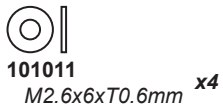
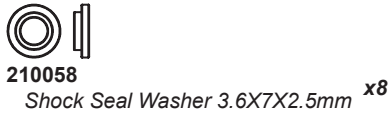
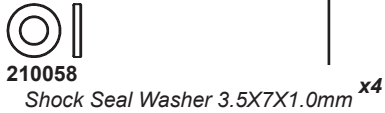
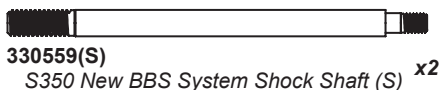
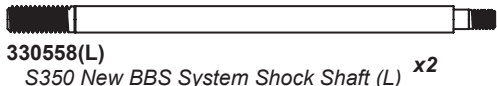


108007
M3x6mm FH/ST HEX Screw x4

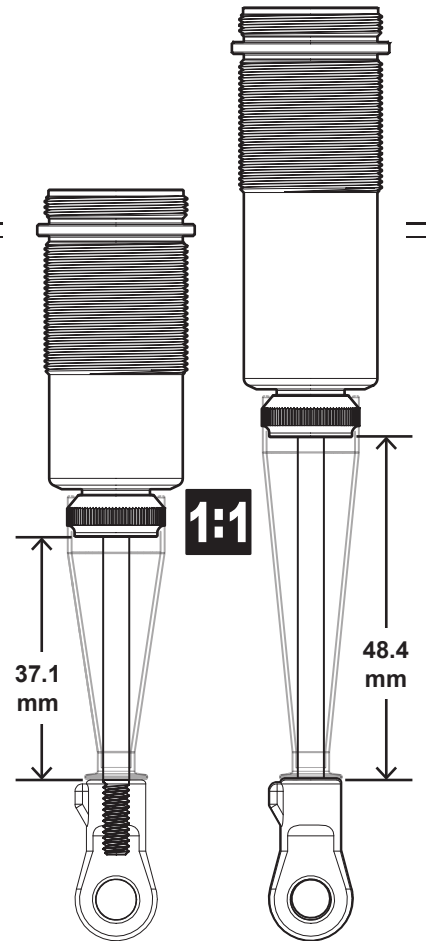
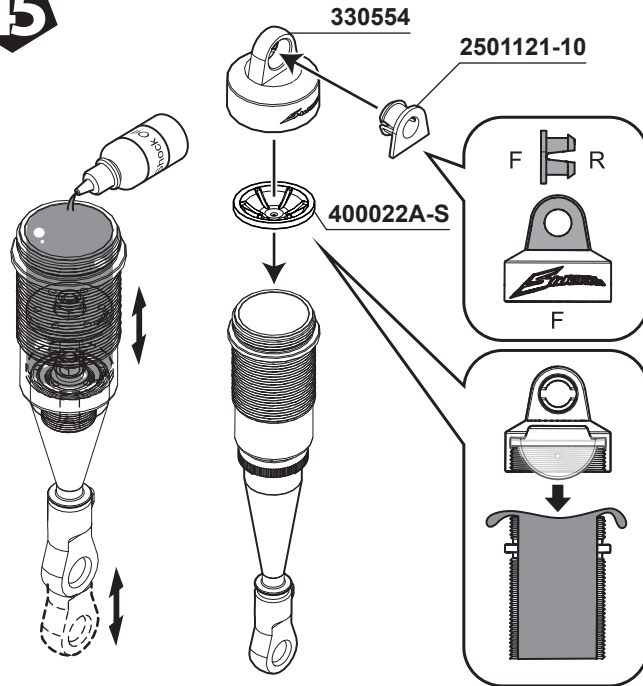
43

Receiver is not included

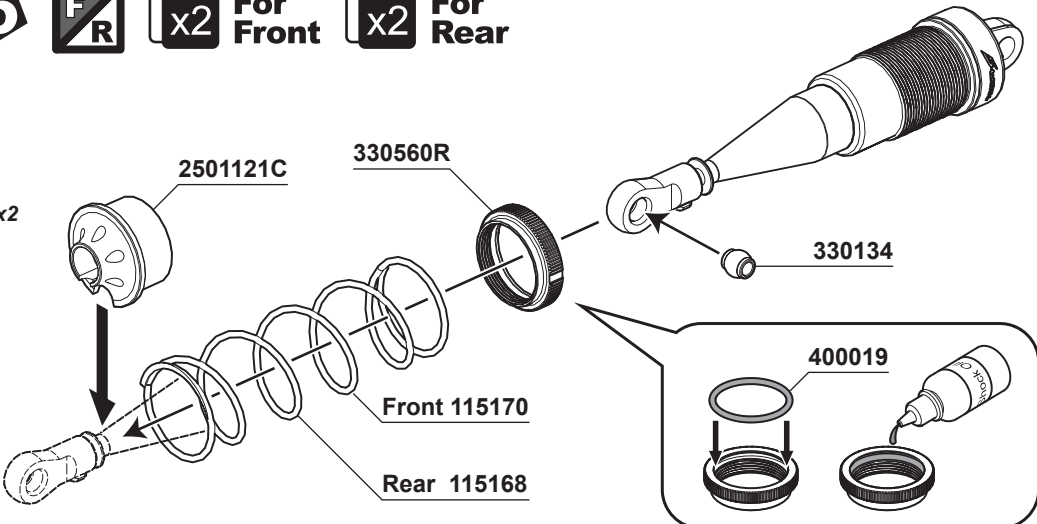
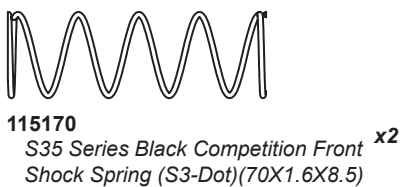
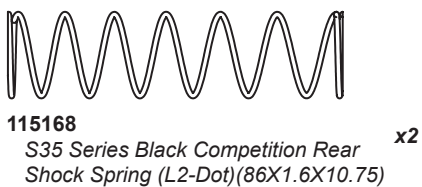




45

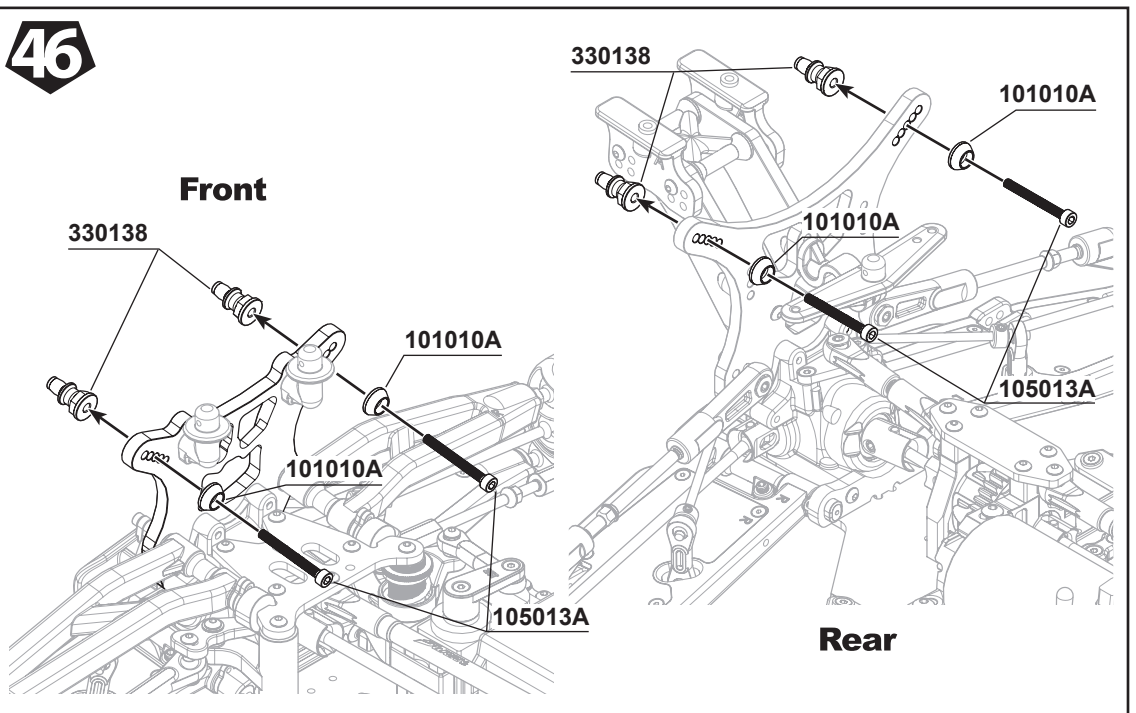


46





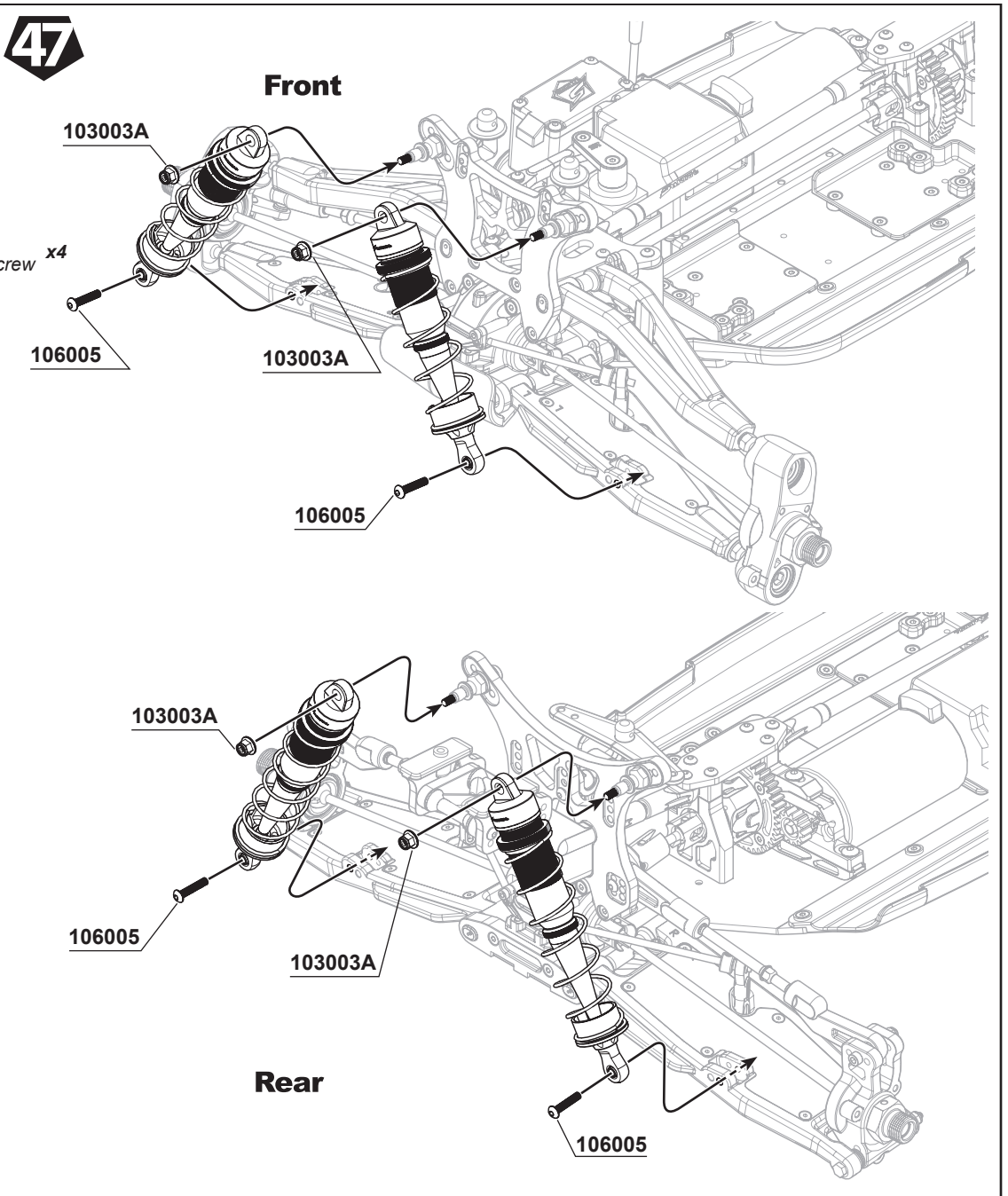
105013A
M3x25mm Cap Screw x4



103003A
Flange M3 Nut Lock x4

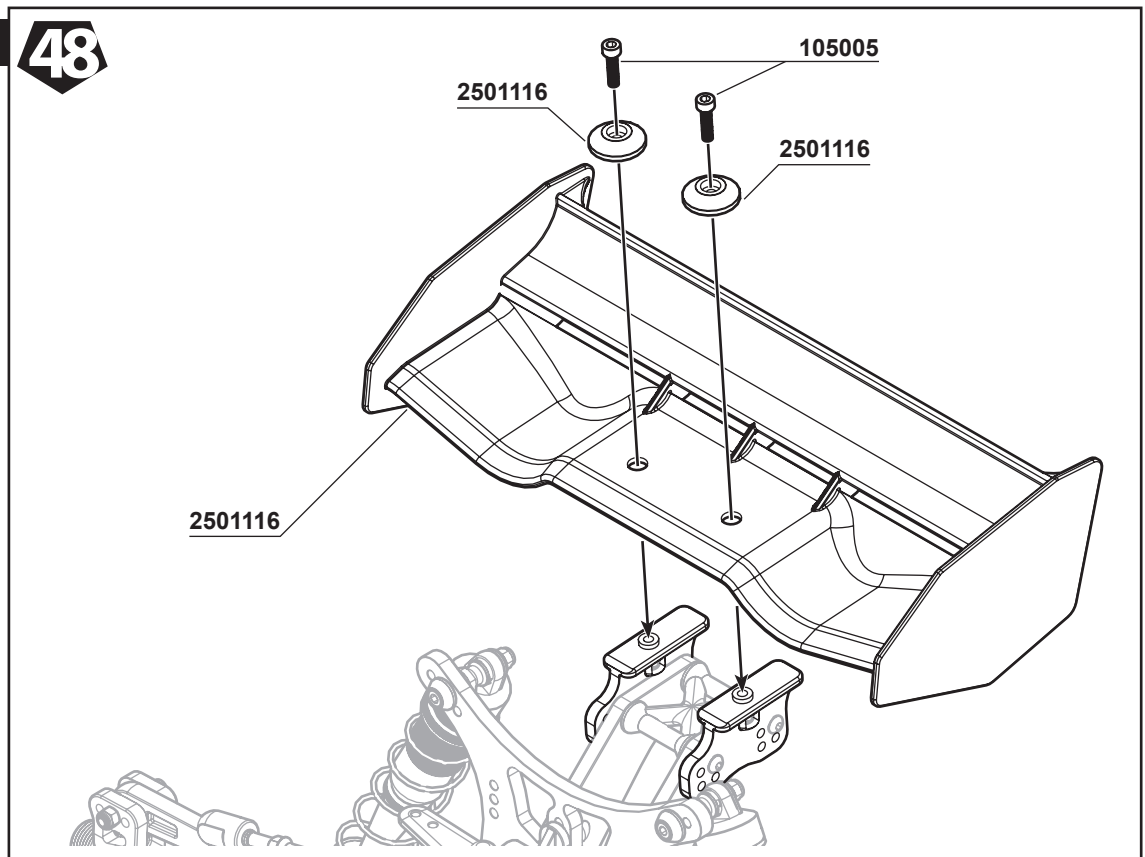


106005
M3x15mm Hex Socket OH/TP Screw x4

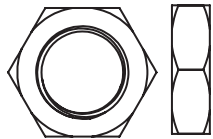




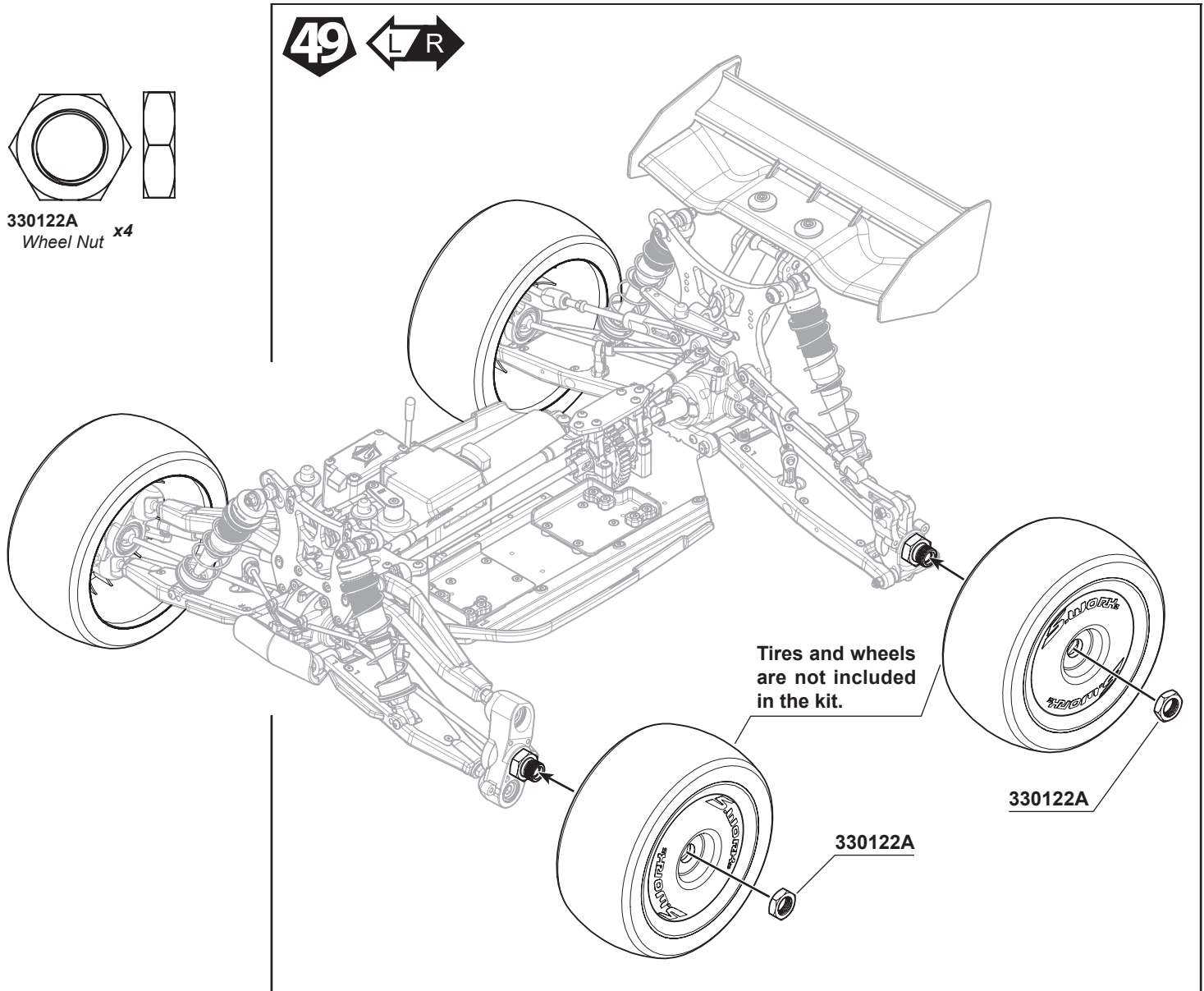
105005
M3x12mm Cap Screw **x2**

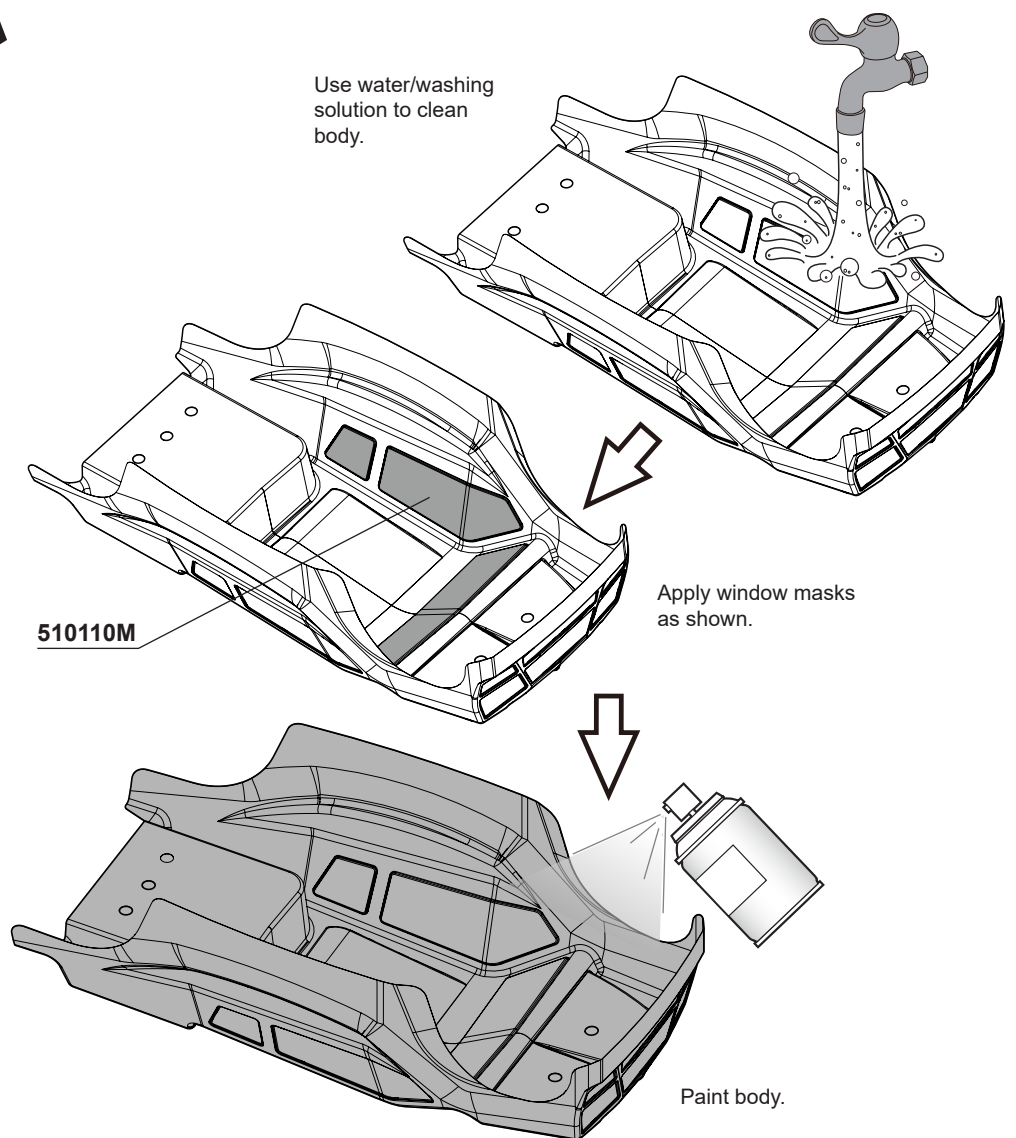
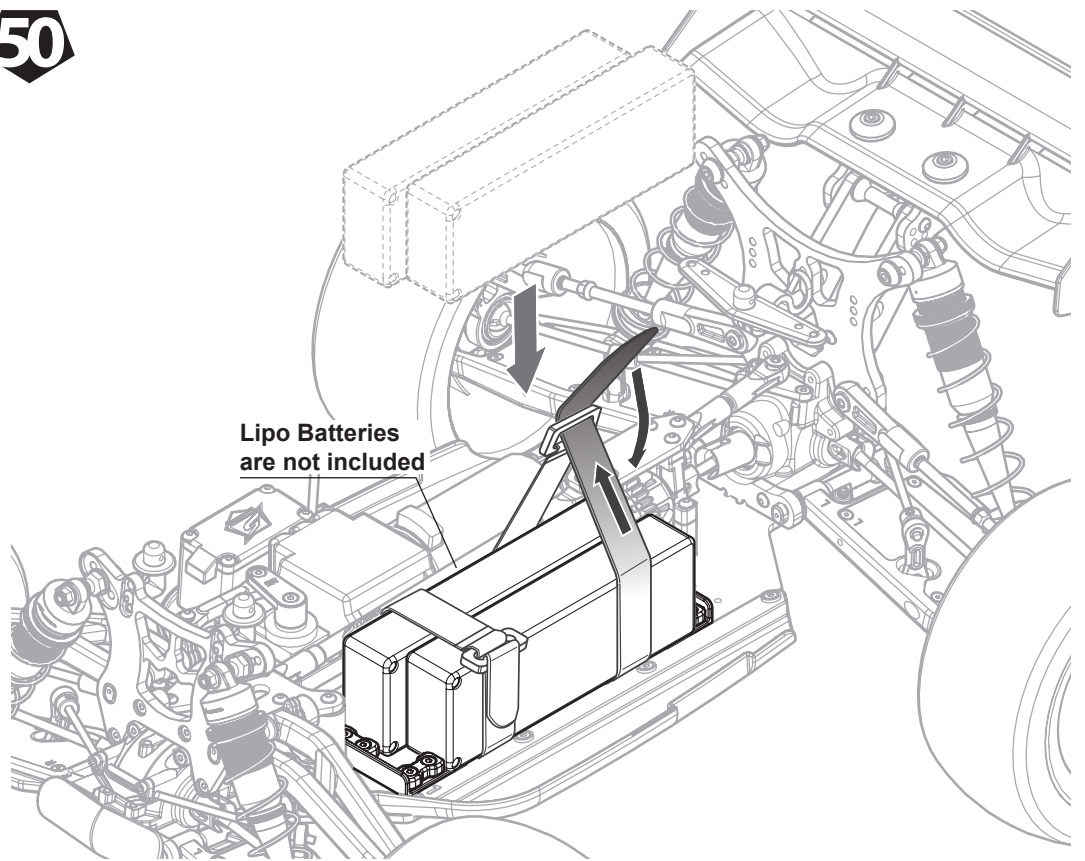


49 **L** **R**

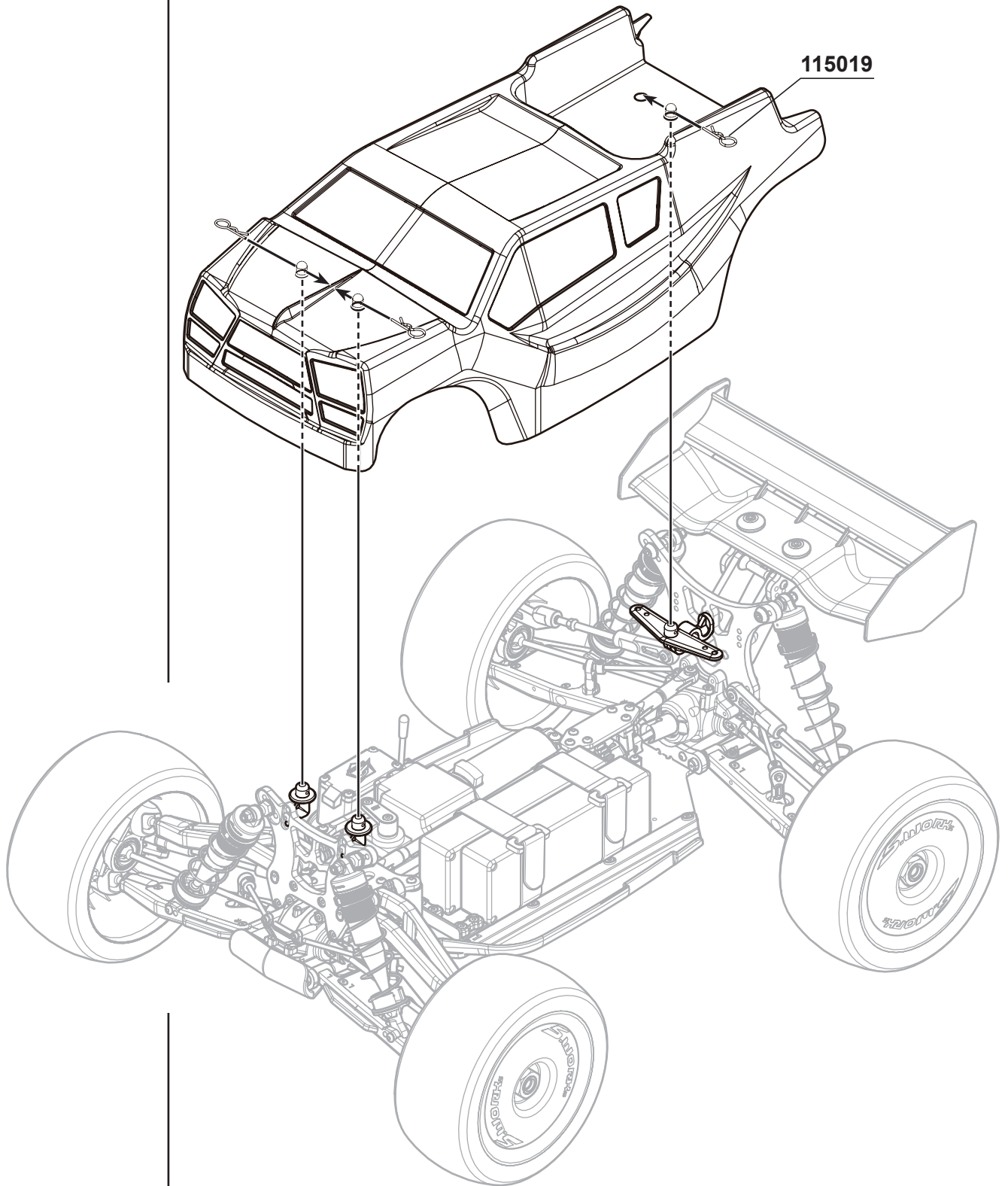


330122A
Wheel Nut **x4**





52



115019

Parts No. List

Part No.	Part Name	Q'ty in Use	Item No.
228004A	S35-4 Series Plastic Side Guard Set with Stopper	1	SW-228004A
210002B	S35/S350 Series Big Bore Diff Case	3	SW-210002B
2501095A	S350 Rear Hub Carrier Set (Also for LDS) (L&R)	1	SW-2501095A
2501097	S350 Wing Stay Set with Bumper	1	SW-2501097
2501098A	S350 Front Steering Knuckle Set (Also for LDS) (L&R)	1	SW-2501098A
2501099	S350 R/F Insert, Brake, Throttle Linkage Linkage Holder	1	SW-2501099
2501100	S350 Pivot Ball Cup, Caster Insert Set	1	SW-2501100
2501114	S350 Gear Box Set (F&R)	2	SW-2501114
2501116	SWORKz High Down Force Wing Set (BK)(Fit S350)	1	SW-2501116
2501121C	S35/S350 Series Ball End Set with Shock Plastic Parts (2 Set)	2	SW-2501121C
2501122B	S35/S350 Series Setting Bellcrank Set 2.0 Set (with Servo Horn)	1	SW-2501122B
2502036	S350 Series Rear Changeable Plastic Lower Arm Plate with insert	1	SW-2502036
2501469	S350 BE1 Series Spur Gear Set (45T/46T/47T)	1	SW-2501469
2501667	BK1 EVO Settring Bellcrank Upper (R)	1	SW-2501667
2502037B	S35-T/S350T Race-composite Front Lower Arm +3mm Set	1	SW-2502037B
2502038B	S35-T/S350T Race-composite Rear Lower Arm +3mm Set	1	SW-2502038B
2502039B	S35-T/S350T Race-composite Front Upper Arm +3mm Set	1	SW-2502039B
2502040-02	S350T Body Mount with Fuel Tank Ring-pull	1	SW-2502040-02
2503221BK	S35-2E/3E Series Black Plastic Radio Box/Battery Case Set	1	SW-2503221BK
228006-5	S35 Series Rear Upper Arm Linkage Ball End (S)	6	SW-228006-5
228007	S35-4E Buggy Series Steering Servo Mount/Center Diff Mount Plastic Parts	1	SW-228007
210058	S350 New BBS System Shock Seal Washer 3.6X7X2.5mm	8	SW-210058
210058	S350 New BBS System Shock Seal Washer 3.5X7X1.0mm	4	SW-210058
200193	Antenna Tube	1	SW-200193
250049AZC	ZEUS Speed Rhino III Pre-Cut EP Body Shell (Clean/1.5mm)	1	SW-250049AZC
320003	Diff. Bevel Gear 18T	6	SW-320003
320004	Diff. Bevel Gear 10T	12	SW-320004
330013	Bevel Gear Shaft	6	SW-330013
330014A	S35 Series Front/Rear Diff. Outdrive	4	SW-330014A
330015	Pin M2.2x9.9mm	6	SW-330015
330017	Center Diff. Outdrive	2	SW-330017
330086A	Front Lower Suspension Plate	1	SW-330086A
330091	Settring Bellcrank Plate	1	SW-330091
330103	Front/Rear Lower Arm Hinge Pin	4	SW-330103
330110	CVD Join	6	SW-330110
330111	Pin M2.5x14.8mm	6	SW-330111
330112	CVD Axle	4	SW-330112
330113	Servo Saver Shaft	2	SW-330113
330114A	S350 Sseries Servo Saver Post (HC)	1	SW-330114A
330117A	S350 Series Knuckle Pivot Ball Washer (GM)	2	SW-330117A
330118A	S350 Series Knuckle Pivot Ball Nut (GM)	4	SW-330118A
330119	Front Upper Arm Hinge Pin	2	SW-330119
330121A	S350 Wheel Hub (HC)	4	SW-330121A
330122A	S350 Wheel Nut (HC)	4	SW-330122A
330123A	S350 EVO Rear Upper Sus. Arm Turnbuckles M5x38mm	2	SW-330123A
330124	Pin M3.0x16.8mm	4	SW-330124
330125	Rear Upper Sus. Arm Ball Stud	4	SW-330125
330127	Steering Linkage Ball Stud 7mm	4	SW-330127
330134	Shock Ball Stud	12	SW-330134
330114A	Servo Saver Nut (GM)	1	SW-330114A
330136	Sway Bar Ball Stud	4	SW-330136
330138	Shock Cap Stud	4	SW-330138
330139A	S350 Shock Cap (GM)	4	SW-330139A
330552	S350T Front and Rear Suspension Drive Shaft L 133mm	4	SW-330552
330501A	S350T S-Pinion Gear 10T (suit only for SW-330502A)	2	SW-330501A
330502A	S35-T Truggy Crown Gear 46T (Fit for SW-330650/330501A)	2	SW-330502A
330218	BK1 EVO Shock Body (L)	2	SW-330218
330219	BK1 EVO Shock Body (S)	2	SW-330219
330220	BK1 EVO 4mm Shock Shaft (L)	2	SW-330220
330221	BK1 EVO 4mm Shock Shaft (S)	2	SW-330221
330222A	S350 EVO Shock Seal Cap (GM)	4	SW-330222A
330227	S350 BX1/BR1 Center Drive Join	2	SW-330227
330241	BE1 Center Supar Gear Mount	1	SW-330241
330245	BE1 Motor Gear 15T	1	SW-330245
330251	S350 BX1/BR1 Steering Plate Bushing	2	SW-330251
330252	S350 BX1/BR1 Steering Knuckle Pivot Ball Turnbuckle 4	SW-330252	
330266	BK1 EVO Aluminum Changeable Rear Lower Arm Plate (FC USE)	1	SW-330266
330401	S350 Series Rear Hub Carriers Hing Pin with Nut	2	SW-330401
330458	S350T Rear Upper Arm Turnbuckle M5x72mm	2	SW-330458
330459	S350T Steering Linkage Turnbuckle M4x75mm	2	SW-330459
330694A	S35 E Series 6mm Steel Ball Stud	1	SW-330694A
330697	S35-2E Rear Drive Shaft (S)	1	SW-330697
330699B	S35-2E Center Main Drive Shaft (L)	1	SW-330699B
330777A	S35-4 Series Steering Linkage Ball Stud 7mm (L7)	4	SW-330777A
330815A	S350T/ZEUS T7075 Sport Front Shock Tower	1	SW-330815A
330816A	S350T/ZEUS T7075 Sport Rear Shock Tower	1	SW-330816A
330825	S350 Sport Buggy Series Aluminum Steering Bellcrank Plate	1	SW-330825
330826	S350 Sport Buggy Series Aluminum Knuckle Plate (R&L)	2	SW-330826
330828	S350 Sport Buggy Series Aluminum Front Shock Tower	1	SW-330828
330829	S350 Series Sport Buggy Series Aluminum Rear Shock Tower	1	SW-330829
338108	ZEUS/Apollo-E 2.0 Series T7075 Aluminum Main Chassis	1	SW-338108
338109	ZEUS/Apollo 2.0 Series Aluminum Servo Saver Steering Plate	1	SW-338109
338110	ZEUS/Apollo 2.0 Series Aluminum Steering Bellcrank Plate	1	SW-338110
340035	ZEUS/Apollo 2.0 Series Carbon Fiber Steering Knuckle Plate (R&L)	2	SW-340035
340037	ZEUS/Apollo 2.0 Series Carbon Steering Bellcrank Plate	1	SW-340037
340038	Apollo 2.0 Series Carbon Fiber Center Diff Mount Plate	1	SW-340038
340039	ZEUS/Apollo 2.0 Series Carbon Fiber Center Rear Brace Mount	1	SW-340039
420010	Antenna Cup	1	SW-420010
410022	Shock Bladder	4	SW-410022
400005	Shock Spring Adjust Nut O-Ring	4	SW-400005
400013	S104 Shock Seal O-ring 2x2.7mm (Soft)	4	SW-400013
400010	Shock Boot (S)	2	SW-400010
400009	Shock Boot (L)	2	SW-400009
400002	O-ring S5 4.8X1.5	6	SW-400002
250041	S350 Falcon 2 Clean Body Shell Window Mask	1	SW-250041
540001	Hook & Loop strap 2x27cm	4	SW-540001
610002	Diff. Gasket (0.5T)	3	SW-610002
116012	Ball Bearing 15x21x4mm	4	SW-116012

Part No.	Part Name	Q'ty in Use	Item No.
116006R	Ball Bearing 8x16x5mm (Red Rubber Case)	10	SW-116006R
116004R	Ball Bearing 6x10x3mm (Red Rubber Case)	4	SW-116004R
115019	Body Clip	2	SW-115019
115005	Rear Sway Ball 2.8mm	1	SW-115005
115008A	Front Sway Ball 2.3mm	1	SW-115008A
330114	Servo Saver Spring	1	SW-330114
108019	M2.6x6mm FH/ST HEX Screw	22	SW-108019
108012	M4x16mm FH/ST HEX Screw	8	SW-108012
108010	M4x10mm FH/ST HEX Screw	6	SW-108010
108008	M3x35mm FH/ST HEX Screw	4	SW-108008
108007	M3x6mm FH/ST HEX Screw	16	SW-108007
108006	M3x8mm FH/ST HEX Screw	18	SW-108006
108003	M3x10mm FH/ST HEX Screw	28	SW-108003
108001	M3x12mm FH/ST HEX Screw	12	SW-108001
106021A	S35 Series M4x10mm Hex Soket OH/TP Set Screw	4	SW-106021A
106010	M3x6mm Hex Soket OH/TP Screw	10	SW-106010
106008	M3x12mm Hex Soket OH/TP Screw	14	SW-106008
106007	M3x12mm Hex Soket OH/TP Screw (HT)	3	SW-106007
106006	M3x20mm Hex Soket OH/TP Screw	3	SW-106006
106005	M3x15mm Hex Soket OH/TP Screw	8	SW-106005
106003	M3x16mm Hex Soket OH/TP Screw	4	SW-106003
106002	M3x10mm Hex Soket OH/TP Screw	18	SW-106002
106001	M3x8mm Hex Soket OH/TP Screw	4	SW-106001
105013	M3x25mm Cap Screw (HT)	4	SW-105013
105012	M3x10mm Cap Screw	2	SW-105012
105005	M3x12mm Cap Screw	2	SW-105005
105004	M2.6x6mm Cap Screw	4	SW-105004
104011	M4x4mm Set Screw (Flat Bottom)	1	SW-104011
104010	M5x4mm Set Screw (Flat Bottom)	6	SW-104010
104009	M3x16mm Set Screw	1	SW-104009
104005	M3x4mm Set Screw	4	SW-104005
104004	M3x3mm Set Screw	4	SW-104004
103004	M2.5mm Nut Lock	4	SW-103004
103001	M3 Nut Lock	22	SW-103001
103003A	Flange M3 Nut Lock (GM)	4	SW-103003A
101020A	3mm Countersunk Washers (RD)	2	SW-101020A
101010A	M3 Countersunk Washer (GM)	6	SW-101010A
101021	M3x8xT0.8mm	4	SW-101021
101019	SHIM 6.0x10.0x0.2mm	1	SW-101019
101018	SHIM 8.0x10.0x0.1mm	6	SW-101018
101012	M3x6xT0.5mm	4	SW-101012
101004	Washer 3.5X10X0.2mm	12	SW-101004

Spare Part List

Item No.	Part Name
SW-228004A	S35-4 Series Plastic Side Guard Set with Stopper
SW-210002B	S35/S350 Series Big Bore Diff Case
SW-2501093B	S350 EVO I/II BBS Front Lower Arm Set
SW-2501094C	S350 Series S35 Competition Rear Lower Arm Set
SW-2501095A	S350 Rear Hub Carrier Set (Also for LDS) (L&R)
SW-2501097	S350 Wing Stay Set with Bumper
SW-2501098A	S350 Front Steering Knuckle Set (Also for LDS) (L&R)
SW-2501099	S350 R/F Insert, Brake, Throttle Linkage Linkage Holder
SW-2501100	S350 Pivot Ball Cup, Caster Insert Set
SW-2501114	S350 Gear Box Set (F&R)
SW-2501116	SWORKz High Done Force Wing Set (BK)(Fit S350)
SW-2501121C	S350/S350T Ball End Set with Shock Plastic Parts
SW-2501122B	S35/S350 Series Setting Bellcrank Set 2.0 Set (with Servo Horn)
SW-2502036	S350 Series Rear Changeable Plastic Lower Arm Plate with insert
SW-2501469	S350 BE1 Series Spur Gear Set (45T/46T/47T)
SW-2501667	BK1 EVO Settring Bellcrank Upper (R)
SW-2502037B	S35-T/S350T Race-composite Front Lower Arm +3mm Set
SW-2502038B	S35-T/S350T Race-composite Rear Lower Arm +3mm Set
SW-2502039B	S35-T/S350T Race-composite Front Upper Arm +3mm Set
SW-2502040-02	S350T Body Mount with Fuel Tank Ring-pull
SW-2503221BK	S35-2E/3E Series Black Plastic Radio Box/Battery Case Set
SW-228006-5	S35/S350 Series Setting Bellcrank Set 2.0 Set (with Servo Horn)
SW-228007	S35-4E Buggy Series Steering Servo Mount/Center Diff Mount Plastic Parts
SW-210058	S350 series BBS Shock Seal Kit
SW-200193	Antenna Tube
SW-250049AZC	ZEUS Speed Rhino III Pre-Cut EP Body Shell (Clean/1.5mm)
SW-320003	Diff. Bevel Gear Set
SW-330013	Bevel Gear Shaft
SW-330014A	S35 Series Front/Rear Diff. Outdrive
SW-330015	Pin M2.2x9.9mm
SW-330017	Center Diff. Outdrive
SW-330103	Front/Rear Lower Arm Hinge Pin
SW-330110	CVD Join
SW-330111	Pin M2.5x14.8mm
SW-330112	CVD Axle
SW-330113	Servo Saver Shaft
SW-330114A	S350 Sseries Servo Saver Post (HC)
SW-330117A	S350 Series Knuckle Pivot Ball Washer (GM)
SW-330118A	S350 Series Knuckle Pivot Ball Nut (GM)
SW-330119	Front Upper Arm Hinge Pin
SW-330121A	S350 Wheel Hub(HC)
SW-330122A	S350 Wheel Nut (HC)
SW-330124	Pin M3.0x16.8mm
SW-330125	Rear Upper Sus. Arm Ball Stud
SW-330134	Shock Ball Stud
SW-330136	Sway Bar Ball Stud
SW-330138	Shock Cap Stud
SW-330227	S350 BX1/BR1 Center Drive Join

Spare Part List

Item No.	Part Name
SW-330241	BE1 Center Supar Gear Mount
SW-330245	BE1 Motor Gear 15T
SW-330251	S350 BX1/BR1 Steering Plate Bushing
SW-330252	S350 BX1/BR1 Steering Knuckle Pivot Ball Turnbuckle
SW-330266	S350 Series Aluminum Changeable Rear Lower Arm Plate (FC USE)
SW-330458	S350T Rear Upper Arm Turnbuckle M5x72mm
SW-330459	S350T Steering Linkage Turnbuckle M4x75mm
SW-330501A	S350T S-Pinion Gear 10T (suit only for SW-330502A)
SW-330502A	S35-T Truggy Crown Gear 46T (Fit for SW-330650/330501A)
SW-330552	S350T Front and Rear Suspension Drive Shaft L133mm
SW-330554	S350 New BBS System Shock Cap (GM)
SW-330557	S350 New BBS System Shock Seal Cap (GM)
SW-330560R	S35 BBS System Shock Spring Adjust Nut (RD)
SW-330562A	S350 New BBS System Shock Piston 1.3mmX6 Holes (BK)
SW-330633	S350 BBS System +5.6mm Shock Body L (HD)
SW-330634	S350 BBS System +5mm Shock Body S (HD)
SW-330635	S350 New BBS System +5.5mm Shock Shaft (L)
SW-330636	S350 New BBS System +1.3mm Shock Shaft (S)
SW-330401	S350 Series Rear Hub Carriers Hinge Pin with Nut
SW-330694A	S35 E Series 6mm Steel Ball Stud
SW-330697	S35-2E Rear Drive Shaft (S)
SW-330699B	S35-2E Center Main Drive Shaft (L)
SW-330777A	S35-4 Series Steering Linkage Ball Stud 7mm (L7)
SW-330815A	S350T/ZEUS T7075 Sport Front Shock Tower
SW-330816A	S350T/ZEUS T7075 Sport Rear Shock Tower
SW-330830	S350 Sport Buggy Series Aluminum Rear Lower Arm Holder
SW-330831	S350 Sport Buggy Series Aluminum Front Lower Arm Plate
SW-338038B	ZEUS 2.0/Apollo 2.0 Series Roll Bar Brace
SW-338070B	S35 Series Rear Upper Sus. Arm Ball Stud (7.0mm Hex)
SW-3380106	ZEUS/Apollo-E 2.0 Series Aluminum Center Diff Mount (CF)
SW-3380107	ZEUS/Apollo-E 2.0 Series Aluminum Motor Mount
SW-338108	ZEUS/Apollo-E 2.0 Series T7075 Aluminum Main Chassis
SW-338109	ZEUS/Apollo 2.0 Series Aluminum Servo Saver Steering Plate
SW-340035	ZEUS/Apollo 2.0 Series Carbon Fiber Steering Knuckle Plate (R&L)
SW-340037	ZEUS II/Apollo II Series Carbon Steering Bellcrank Plate
SW-340038	Apollo 2.0 Series Carbon Fiber Center Diff Mount Plate
SW-340029	ZEUS/Apollo 2.0 Series Carbon Fiber Center Rear Brace Mount
SW-420010	Antenna Cup
SW-400013	S104 Shock Seal O-ring 2x2.7mm(Soft)
SW-400010	Shock Boot (S)
SW-400009	Shock Boot (L)
SW-400002	O-ring S5 4.8X1.5
SW-400019	S350 New BBS System Shock Spring Adjust Nut O-Ring
SW-400020	S350 New BBS System Shock Seal O-Ring
SW-400022A-S	S35 Series BBS System Pro Shock Bladder (Soft)
SW-540001	Hook & Loop strap 2x27cm
SW-610002P	S350 Series Diff. Paper Gasket (0.4T)(3PC)
SWC-115168	S35 Series Black Competition Rear Shock Spring (L2-Dot)(86X1.6X10.75)
PWLLC-115170	S35 Series Black Competition Front Shock Spring (S3-Dot)(70X1.6X8.5)
SW-116012	Ball Bearing 15x21x4mm
SW-116004R	Ball Bearing 6x10x3mm (Red Rubber Case)(4PC)
SW-116006R	Ball Bearing 8x16x5mm (Red Rubber Case)(10PC)
SW-116010R	Ball Bearing 5x10x4mm (Red Rubber Case)
SW-115019	Body Clip
SW-115005	Rear Sway Ball 2.8mm
SW-115008A	Front Sway Ball 2.3mm
SW-101004	Washer 3.5X10X0.2mm
SW-101010A	M3 Countersunk Washer (GM)
SW-101012	M3x6xT0.6mm
SW-101018	SHIM 13x16x0.2mm
SW-101019	SHIM 6.0x10.0x0.2mm
SW-101020A	S350 Sries 3mm Countersunk Washers (GM)
SW-101021	M3x8xT0.8mm
SW-101026	SWORKz Aluminum Washer 3X6X1.5mm
SW-103001	M3 Nut Lock
SW-103003A	Flange M3 Nut Lock (GM)
SW-103004	M2.5mm Nut Lock
SW-104004	M3x3mm Set Screw
SW-104005	M3x4mm Set Screw
SW-104009	M3x16mm Set Screw
SW-104010	M5x4mm Set Screw (Flat Bottom)
SW-104011	M4x4mm Set Screw (Flat Bottom)
SW-104014	M5x25mm Set Screw
SW-105005	M3x12mm Cap Screw
SW-105004	M2.6x6mm Cap Screw
SW-105011	M3x23mm Cap Screw
SW-105012	M3x10mm Cap Screw
SW-105013A	M3x25mm Cap Screw
SW-106002	M3x10mm Hex Soket OH/TP Screw
SW-106003	M3x16mm Hex Soket OH/TP Screw
SW-106005	M3x15mm Hex Soket OH/TP Screw
SW-106006	M3x20mm Hex Soket OH/TP Screw
SW-106007	M3x12mm Hex Soket OH/TP Screw (HT)
SW-106008	M3x12mm Hex Soket OH/TP Screw
SW-106010	M3x6mm Hex Soket OH/TP Screw
SW-106021A	S35 Series M4x10mm Hex Soket OH/TP Set Screw
SW-106024	M4x12mm Hex Soket OH/TP Screw
SW-108001	M3x12mm FH/ST HEX Screw
SW-108003	M3x10mm FH/ST HEX Screw
SW-108005	M3x14mm FH/ST HEX Screw
SW-108006	M3x8mm FH/ST HEX Screw
SW-108007	M3x6mm FH/ST HEX Screw
SW-108008	M3x35mm FH/ST HEX Screw
SW-108010	M4x10mm FH/ST HEX Screw
SW-108012	M4x16mm FH/ST HEX Screw

Option Part List

Item No.	Part Name
SW-228008BK	SWORKz 1/8 Off Road Formula 2.0 Race Wing (BK)
SW-228013BK	SWORKz 1/8 Off Road Pro-Speed 2.0 Race Wing (BK)(Pre-Holes)
SW-228013WH	SWORKz 1/8 Off Road Pro-Speed 2.0 Race Wing (WH)(Pre-Holes)
SW-228013FY	SWORKz 1/8 Off Road Pro-Speed 2.0 Race Wing (FY)(Pre-Holes)
SW-2501116A	S-WORKz High Done Force Wing Set (BK)
SW-2501116AWH	S-WORKz High Done Force Wing Set (WH)
SW-250048	S35 Series Falcon Style 3 Clean Body Shell
SW-330115	Steering Knuckle Pivot Ball Turnbuckle
SW-330116	14mm Knuckle Pivot Ball
SW-330125A	S350 Series Aluminum Rear Upper Sus. Arm Ball Stud (4pc)
SW-330134A	S350 Series Aluminum Shock Ball Stud (4pc)
SW-330136A	S350 Series Aluminum Sway Bar Ball Stud (4pc)
SW-330210A	S350 Aluminum Front Upper Arm Holder (GM Color)
SW-330215A	S35/350 Sries Aluminum Front Changeable Lower Arm Holder (BK)
SW-330243	SWORKz 3x18mm Shock Hex Screw Set (Anti-Clockwise)
SW-330398A	SWORKz S350 Series Pro Wheel Nut (GM)
SW-330420	S350 Series Knuckle Pivot Ball Balance Nut (5.5g) (2pc)
SW-330421	S350 Series Front Wheel Hub Balance Weight (10g) (L)
SW-330422	S350 Series Front Wheel Hub Balance Weight (10g) (R)
SW-330424	S350 Series Aluminum Wing Holder (RED)
SW-330424B	S350 Series Aluminum Wing Holder (BK)
SW-330424G	S350 Series Aluminum Wing Holder (GM)
SW-330450	S350 Series Aluminum Rear Hub Carry (GM Color)
SW-330474	S350 Series Rear Wheel Hub Balance Weight Lower (8g) (2pc)
SW-330475	S350 Series Rear Wheel Hub Balance Weight Lower (5g) (2pc)
SW-330505A	S35 Series Lightened Wheel Hub for 8mm Axil (L6.5mm)
SW-330506A	S35 Series Lightened Wheel Hub for 8mm Axil (L5.0mm)
SW-330564A	S35 Series BBS System Shock Piston 1.5mmX6 Holes (BK)
SW-330661A	S35-T/S35 Series Competition Center Drive Join (5mm set screw)
SW-330696	S35E Series Aluminum Rear Drive Shaft (S)
SW-330698	S35E Series Aluminum Center Main Drive Shaft (L)
SW-330777B	S35-4 Series Aluminum Steering Linkage Ball Stud 7mm (L7)(4PC)
SW-330235	SWORKz 1/8 Motor Pinion Gear 13T
SW-330239	SWORKz 1/8 Motor Pinion Gear 14T
SW-330246	SWORKz 1/8 Motor Pinion Gear 16T
SW-330247	SWORKz 1/8 Motor Pinion Gear 17T
SW-330817	SWORKz 1/8 EP Motor Pinion Gear 18T
SW-330818	SWORKz 1/8 EP Motor Pinion Gear 19T
SW-330819	SWORKz 1/8 EPMotor Pinion Gear 20T
SW-338069	S35-4 E-Buggy Series Brass Material Center Chassis Brace (50g)
SW-338069	S35-4 E-Buggy Series Brass Material Center Chassis Brace (50g)
SW-338094	S35-4E Series Aluminum Steering Servo Mount
SW-338078-25	SWORKz Uni-Design 2-Way System Aluminum Steering Servo Horn 25T
SW-338078-23	SWORKz Uni-Design 2-Way System Aluminum Steering Servo Horn 23T
SW-338116	S35-(4E/GT2E/T2E)/Apollo II E Series Buggy Series Aluminum Center Diff. Mount
SW-338122-R	S35/S350/Apollo Series Lightened Steering Knuckle Pivot Ball Turnbuckle (Clockwise)(2PC)
SW-338122-L	S35/S350/Apollo Series Lightened Steering Knuckle Pivot Ball Turnbuckle (Anti-Clockwise)(2PC)
SW-360001	S35 Series Front Arm Holder Balance Weight Set (25g/35g)
SW-360003	S35E/ZEUS/APOLLO Series Brass Reinforcement for Center Chassis (20g)
SW-400022A-M	S35 Series BBS System Pro Shock Bladder (Medium)(8PC)
SW-4000245	S35 Series BBS System Hex-Cell Shock Bladder(Soft)(4PC)
SW-400024M	S35 Series BBS System Hex-Cell Shock Bladder(Medium)(4PC)
SW-510053-PBK	SWORKz Speed Logo Sticker (PushBar)(BK)(2pc)
SW-510053-PFO	SWORKz Speed Logo Sticker (PushBar)(FO)(2pc)
SW-510053-PFY	SWORKz Speed Logo Sticker (PushBar)(FY)(2pc)
SW-510053-PHA	SWORKz Speed Logo Sticker (PushBar)(Hara Edition)(2pc)
SW-510053-PWH	SWORKz Speed Logo Sticker (PushBar)(WH)(2pc)
SWC-115107	S350 Competition Shock Spring A-2 (75X1.4X7.25)(Red)
SWC-115109	S350 Competition Shock Spring B-2 (90X1.4X8.5)(Pink)
SWC-115110	S350 Competition Shock Spring C-1 (75X1.5X7.75)(SkyBlue)
SWC-115118	S350 Competition Shock Spring E-3 (90X1.5X8.5)(Blue)
SWC-116006C	SWORKz Competition 8x16x5mm Ball Bearing (Metal Case)(6PC)
SW-116010B	High Performance Ball Bearing 5x10x4mm (coffee)(4pc)
SWC-116016B	SWORKz Competition 5x11x4mm Ball Bearing (Metal Case)(4PC)
SW-210046	S350 Series LDS Universal Cross Drive Shaft Set 92.5mm (1pc)
SW-210002H	S35/S350 Series Big Bore Diff Case (Hard)(Gray)
SW-218001	S35/350 Series Font Sway Bar Set (2.0/2.1/2.2/2.3/2.4/2.5/2.6/2.8mm)
SW-218002	S35/350 Series Rear Sway Bar Set (2.4/2.5/2.6/2.7/2.8/3.0mm)
SW-330500A	S35/S350 Series Front Sway Bar 2.0mm
SW-115034A	S35/350 Series Front Sway Bar 2.1mm
SW-115035A	S35/350 Series Front Sway Bar 2.2mm
SW-115008A	S35/350 Series Front Sway Bar 2.3mm
SW-115150A	S35/350 Series Front Sway Bar 2.4mm
SW-115151A	S35/350 Series Front Sway Bar 2.5mm
SW-115009A	S35/350 Series Front Sway Bar 2.6mm
SW-115010A	S35/350 Series Front Sway Barr 2.8mm
SW-115046	S35/S350 Series Rear Sway Bar 2.4mm
SW-115047	S35/S350 Series Rear Sway Bar 2.5mm
SW-115006	S35/S350 Series Rear Sway Bar 2.6mm
SW-330499	S35/S350 Series Rear Sway Bar 2.7mm
SW-115005	S35/S350 Series Rear Sway Bar 2.8mm
SW-115007	S35/S350 Series Rear Sway Bar 3.0mm
SWC-115163	S35 Series Black Competition Front Shock Spring (M4-Dot)(75X1.6X8.75)
SWC-115164	S35 Series Black Competition Front Shock Spring (M3-Dot)(75X1.6X9.0)
SWC-115165	S35 Series Black Competition Front Shock Spring (M2-Dot)(75X1.6X9.25)
SWC-115164	S35 Series Black Competition Front Shock Spring (M3-Dot)(75X1.6X9.0)
SWC-115190	S35 Series Competition Black Line Rear Shock Spring (RM4-Dot)(80X1.6X9.75)
SWC-115191	S35 Series Competition Black Line Rear Shock Spring (RM3-Dot)(80X1.6X10.0)
SWC-115192	S35 Series Competition Black Line Rear Shock Spring (RM2-Dot)(80X1.6X10.25)
SW-360004	S35 Series Rear Lower Arm Holder Balance Weight (25g)
SW-360005	S35 Series Front Lower Arm Plate Balance Weight (25g)
SWC-338102	S35 Series Pro-Titanium Pivot Ball Turnbuckle (2PC)
SWC-338103	SWORKz 1/8 Series Pro-Titanium Linkage Turnbuckle (M5x35mm)(2PC)
SWC-338104	SWORKz 1/8 Series Pro-Titanium Linkage Turnbuckle (M4x40mm)(2PC)
SWC-338105	SWORKz Pro-Titanium Linkage Turnbuckle (M3x30mm)(2PC)

SWORKZ

1/8 Pro Monster Truck



SPEEDMASTER HOBBY CO., LTD.

TEL: +886-3-538-7638

FAX: +886-3-538-7328

No.42, Ruiguang St., Xiangshan Dist.,

Hsinchu City 300, Taiwan (R.O.C.)

www.sworkz.com